

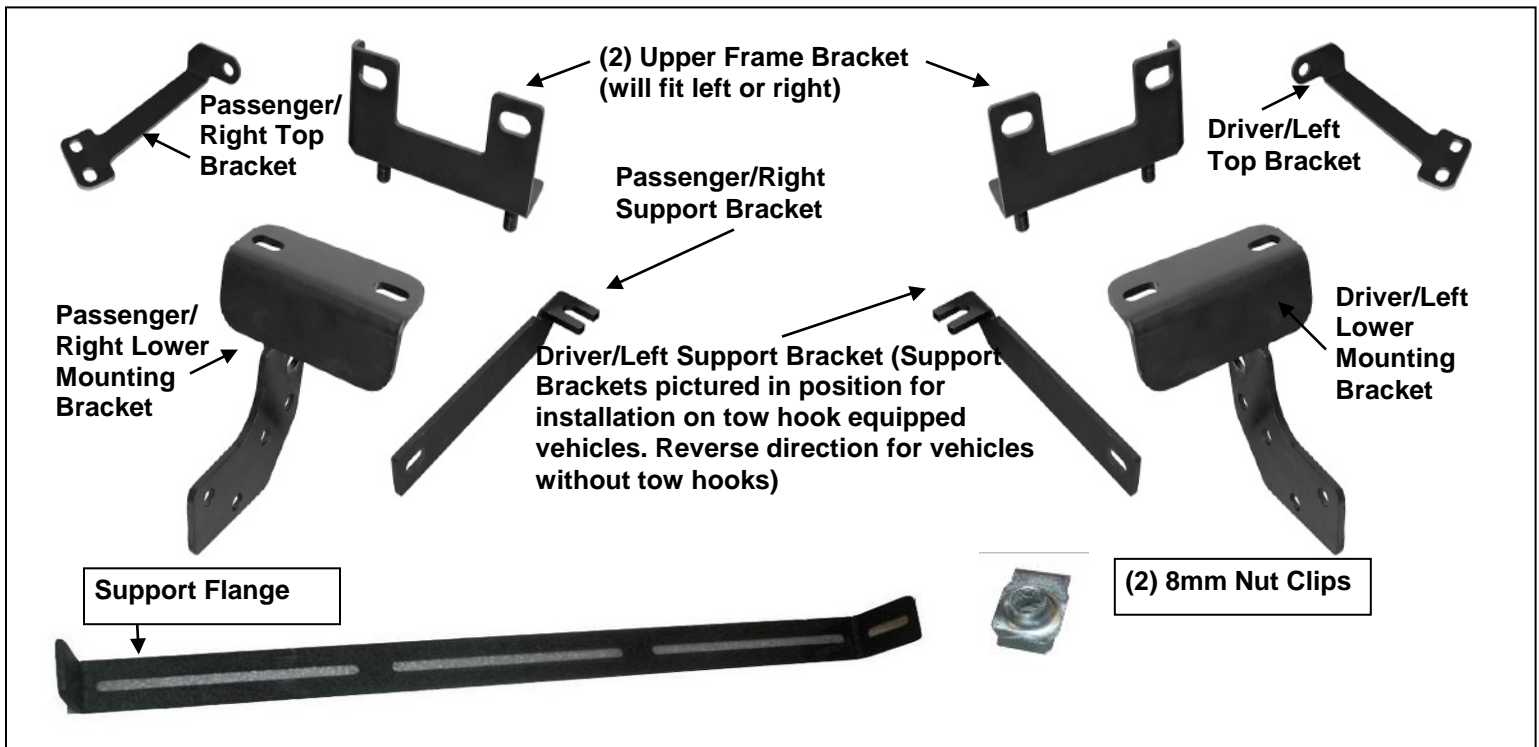
# INSTALLATION INSTRUCTIONS

2009-13 DODGE RAM 2 & 4WD 1500

PART # P5058

## PARTS LIST:

Qty	Description	Qty	Description
1	Grille Guard	12	12-1.75mm Hex Nuts
2	Upper Frame Mounting Brackets (for trucks without tow hooks only)	4	8mm x 20mm Button Head Allen Bolts
1	Driver/Left Lower Frame Mounting Bracket	4	8mm x 22mm OD x 2mm Flat Washers
1	Passenger/Right Lower Frame Mounting Bracket	4	8mm Lock Washers
1	Driver/Left Upper Support Bracket	2	5-.8mm x 15mm Button Head Allen Bolt
1	Passenger/Right Upper Support Bracket	4	5mm x 10mm OD x 1mm Flat Washers
1	Driver/Left Lower Support Bracket	2	5mm Nylon Lock Nuts
1	Passenger/Right Lower Support Bracket	1	Support flange
2	12-1.5mm x 30mm <b>Special Fine Thread</b> Hex Bolt (for trucks without tow hooks only)	2	8mm Nut clips
1	Wrench	2	8mm hex bolts
8	12-1.75mm x 35mm Hex Bolts	2	8mm Flat washers
22	12mm x 32mm OD x 3mm Flat Washers	2	8mm Lock washers
14	12mm Lock Washers		



## PROCEDURE:

1. REMOVE CONTENTS FROM BOX. VERIFY ALL PARTS ARE PRESENT. READ INSTRUCTIONS CAREFULLY BEFORE STARTING INSTALLATION. CUTTING IS REQUIRED. ASSISTANCE IS RECOMMENDED.

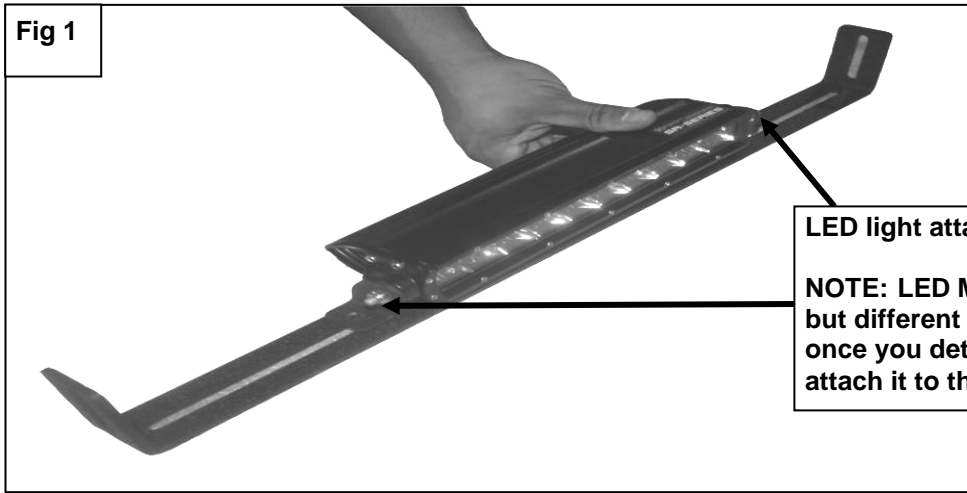
2. Start by Selecting your LED light (**Sold Separately**) mounting hardware & brackets, you will need to first attached the hardware to the support flange, (Example of LED light attached Fig 1) **NOTE: if you have your own LED light, LED Manufactures will have similar but different mounting styles or brackets, once you determine you mounting options attach it to the support flange as seen in (Fig1)**
3. With the LED light attached to the support flange select the (2) 8mm nut clips place each nut clip into the slotted holes on either side of the support flange, as seen in (**Fig 2**) with the support flange prepare you will need to lay the grill guard face down to install the support flange **NOTE:** (it is recommended to lay out some of the cardboard your grill guard came in or a blanket to protect the grill guard finish). place the grill guard face down with this done place the support flange with the LED attached into the Center flange attach each side of the support flange to the inner brackets inside the center flange of the grill guard with (2) 8mm hex bolts, (2) 8mm flat washers, & (2) 8mm lock washers as seen in (**Fig 3**) Snug but do not tighten at this time.
4. Starting at the underside of the front bumper, carefully remove the plastic splash guard. **NOTE:** Depending on the model of truck, the splash guard may be attached to the bottom of the truck with hex bolts and several two-piece plastic push-in clips. Remove all hex bolts then locate the clips behind the bumper cover, (**Fig 4A**). Pry up on the center pin of the clip with a small flat blade screwdriver and remove the entire clip, (**Fig 4B**). Pay close attention to the type and location of all factory hardware for reinstallation. The splash guard may also be attached to the bumper cover with rivets at the corners. Use wire cutters to remove the rivets. Once all fasteners have been removed, move splash guard to a clean stable work area.
5. Next, determine if the truck is equipped with tow hooks.  
**For models without tow hooks:**
  - a. Remove the hex nuts from the two lower factory bumper bolts, (**Fig 5**).
  - b. Select (1) Frame Bracket, (will fit left or right-without tow hooks only), and the driver side Mounting Bracket, (**Fig 6**). Bolt the two Brackets together with (2) 12mm Flat Washers, (2) 12mm Lock Washers and (2) 12mm Hex Nuts. Snug the hardware but do not tighten at this time.
  - c. Insert the assembled Mounting Bracket up from behind the bumper and align the holes in the Mounting Bracket with the bumper bolts. Attach the Bracket to the bumper bolts using the factory hex nuts and snug but do not tighten the hardware, (**Fig 7**).**NOTE:** On some vehicles, it may be easier to assemble the two-piece bracket on the vehicle. Install the Upper Frame Bracket first, then bolt the Lower Frame Bracket to the bottom as previously described.
  - d. Install the driver side Lower Support Bracket with the bent end toward the front of the vehicle, (**Figure 6**). Bolt the Support Bracket to the inside of the Lower Mount using the top round hole in the Lower Mounting Bracket with the included (1) 12mm x 35mm Hex Bolt, (2) 12mm Flat Washers, (1) 12mm Lock Washer and (1) 12mm Hex Nut, (**Figure 7**).
  - e. Attach the flat end of the driver side Bracket to the frame with (1) 12-1.5mm x 30mm **Special Fine Thread** Hex Bolt, (1) 12mm Flat Washer and (1) 12mm Lock Washer, (**Fig 7**). **IMPORTANT:** The hole in the bottom of the frame is fine thread. Only use the 12-1.5mm x 30mm Hex Bolt provided in the hardware kit. Snug but do not tighten all hardware at this time.**For models with tow hooks:**
  - a. Remove the (2) hex nuts holding the front of the tow hook to the back of the bumper, (**Fig 8**).
  - b. Select the driver side Lower Mounting Bracket, (**Fig 9**). Hang the Bracket from the tow hook mounting studs using the factory Hex Nuts, (**Fig 10**). Do not tighten hardware at this time.
  - c. Bolt the flat end of the driver side Support Bracket to the inside of the Lower Mounting Bracket using the second round hole from the top, (**Fig 9 & 11**). Use the included (1) 12mm x 35mm Hex Bolt, (2) 12mm Flat Washers, (1) 12mm Lock Washer and (1) 12mm Hex Nut.
  - d. Attach the bent end of the Support Bracket to the rear tow hook bolt. Loosen the rear mounting bolt for the tow hook. Insert the slotted end under the head of the factory bolt, (**Fig 11**).
  - e. Snug but do not tighten all hardware at this time.
6. Repeat the appropriate **Step 3** for the passenger side Mounting Bracket installation.

7. Move to the top of the grille opening and open the hood, **(Fig 12)**. Remove the driver side inner headlight mounting screw. Insert the driver side Top Bracket between the radiator support and the headlight housing, **(Fig 13)**. Reinstall the factory hex bolt and snug but do not tighten at this time. Repeat this **Step** for the passenger side Top Bracket installation.
8. With assistance, hold the Grille Guard up to the outside of the Mounting Brackets. Bolt the Grille Guard to the Brackets with (6) 12mm x 35mm Hex Bolts, (12) 12mm Flat Washers, (6) 12mm Lock Washers and (6) 12mm Hex Nuts, **(Fig 14)**. Do not tighten hardware at this time.
9. Line up the driver side Top Bracket with the (2) threaded inserts in the bottom of the headlight guard tube. Bolt the Bracket to the inserts with (2) 8mm x 20mm Button Head Allen Bolts, (2) 8mm x 22mm x 1.5mm Flat Washers and (2) 8mm Lock Washers, **(Fig 15)**. Repeat this Step to attach the passenger side Top Bracket. Do not tighten hardware at this time.
10. **IMPORTANT:** Slowly close the hood to check for clearance between the hood and the Top Brackets. Adjust as necessary then snug but do not tighten the hardware.
11. Stand back from the vehicle and check to see that the Grille Guard is centered and level on the vehicle and adjust as necessary. **IMPORTANT:** Once properly aligned, tighten only the hardware securing the lower frame Mounting Brackets to the truck. Do not tighten the hardware on the Grille Guard.
12. Remove the Grille Guard but leave the lower Mounting Brackets on the vehicle.
13. Next, hold the splash guard up to the bumper cover and align it with the mounting points, **(Fig 16)**. Mark the location of the Mounting Brackets onto the back of the splash guard. Cut an approximately 1/2" wide by 4" long slot in the splash guard as pictured in **Fig 17**. **NOTE:** The size of the slot is an estimate only and may vary due to different factory designs for the splash guards and front bumper covers. Also, additional cutting may be required to clear the Support Bracket on vehicles equipped with tow hooks. **IMPORTANT:** To maintain the integrity of the splash guard, do not cut the slot any larger than necessary. Do not cut through the front or back edges of the cover, **(Fig 17)**. Make several small cuts first and check the fit often for a clean installation.
14. Check the fit and reinstall the splash guard using the factory hardware. Use the included (2) 5mm x 15mm Allen Bolts, (4) 5mm Flat Washers and (2) 5mm Lock Nuts to replace the rivets if required, **(Fig 18)**.
15. Re-install, level and adjust the Grille Guard as described in **Step 7**. Tighten all hardware.
16. **For the Led lights wiring please refer to the manufactures installation.**

Do periodic inspections of the installation to make sure that all hardware is secure and tight.

**To protect your investment**, wax this product after installing. Regular waxing is recommended to add a protective layer over the finish. Do not use any type of polish or wax that may contain abrasives that could damage the finish.

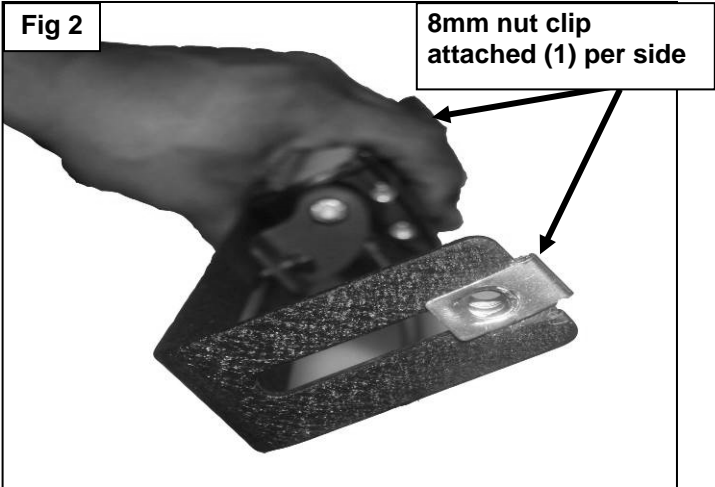
Fig 1



LED light attached to support flange.

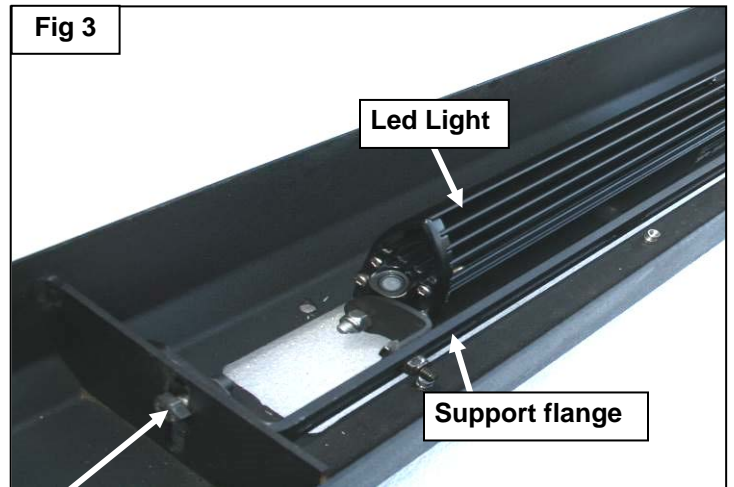
NOTE: LED Manufactures will have similar but different mounting styles or brackets, once you determine you mounting options attach it to the support flange as seen.

Fig 2



8mm nut clip attached (1) per side

Fig 3



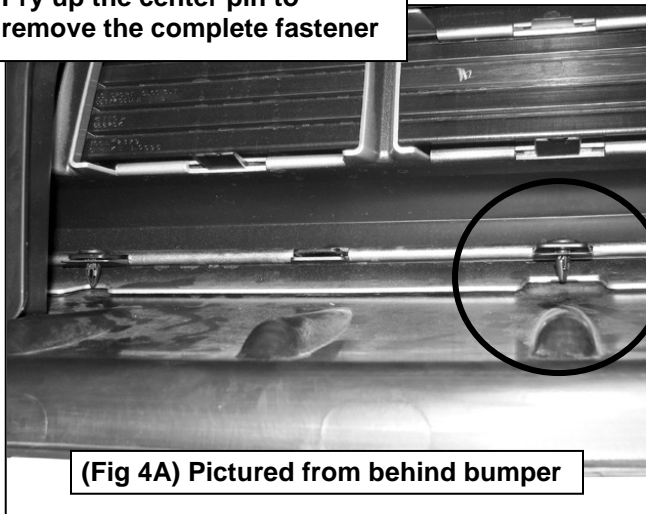
Led Light

Support flange

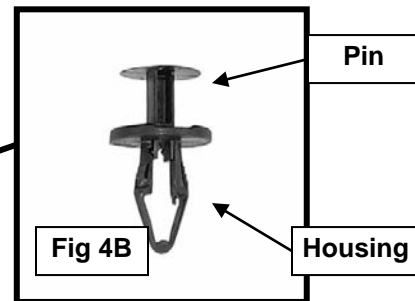
Secure support flange into center flange with  
(1) 8mm Hex head bolt  
(1) 8mm Flat Washers  
(1) 8mm Lock washer  
Per side.

### Driver Side Installation Pictured

Pry up the center pin to remove the complete fastener

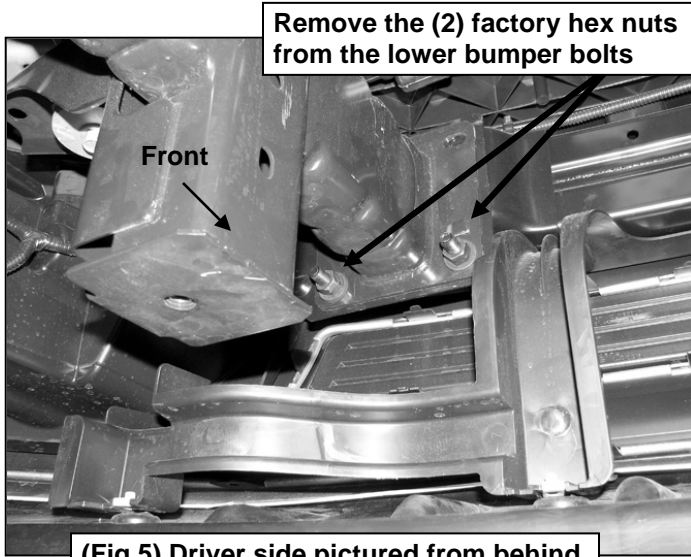


(Fig 4A) Pictured from behind bumper

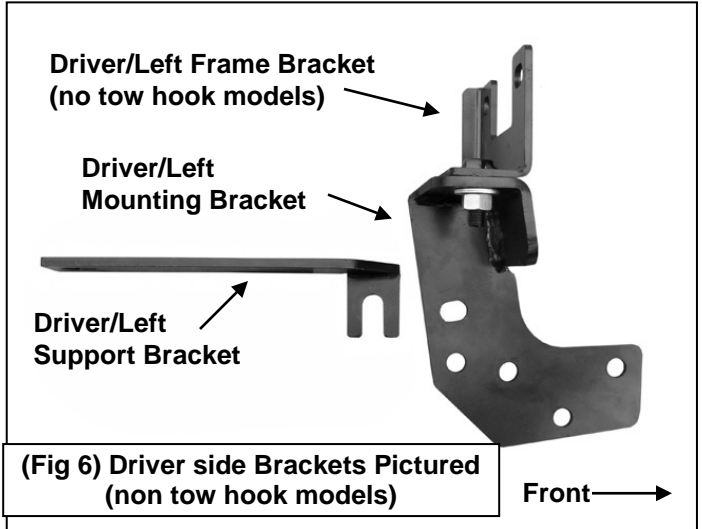


For illustration only, clips may differ depending on model and year

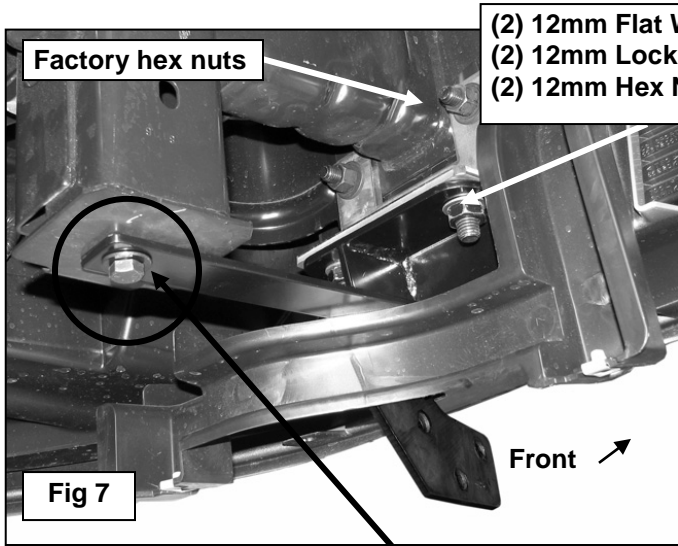
## Driver Side Installation Pictured



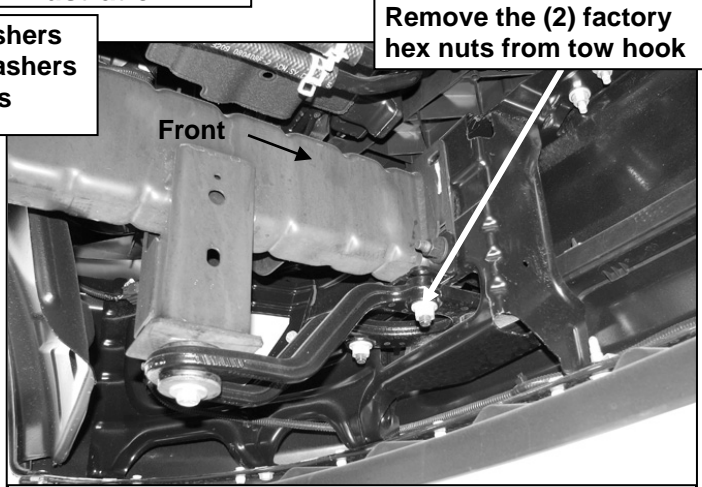
(Fig 5) Driver side pictured from behind bumper (non tow hook models)



### Installation pictured without the splash guard for illustration

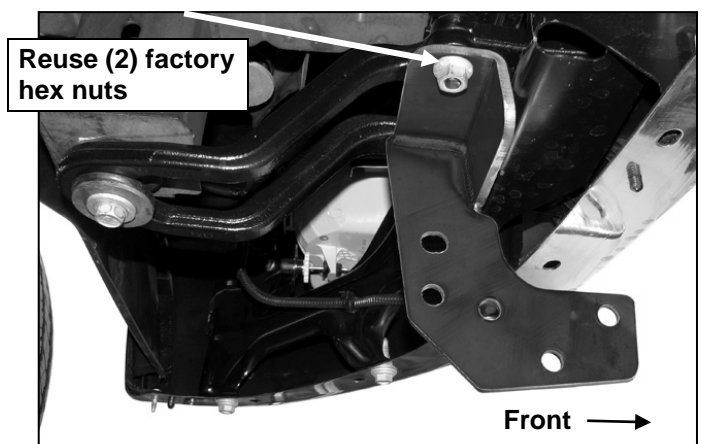
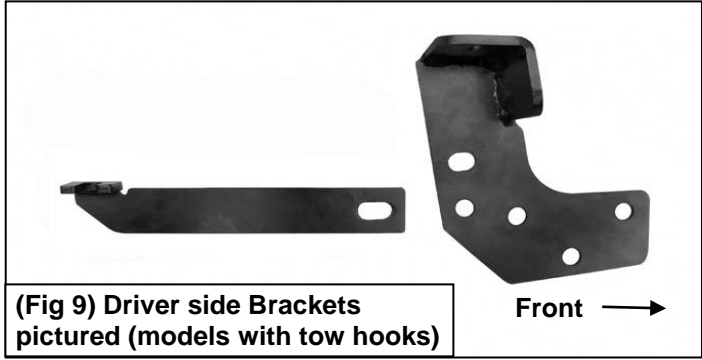


- (2) 12mm Flat Washers
- (2) 12mm Lock Washers
- (2) 12mm Hex Nuts



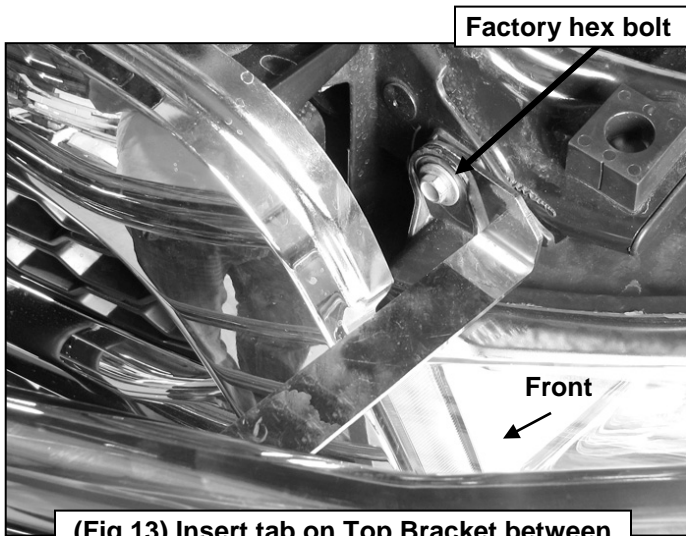
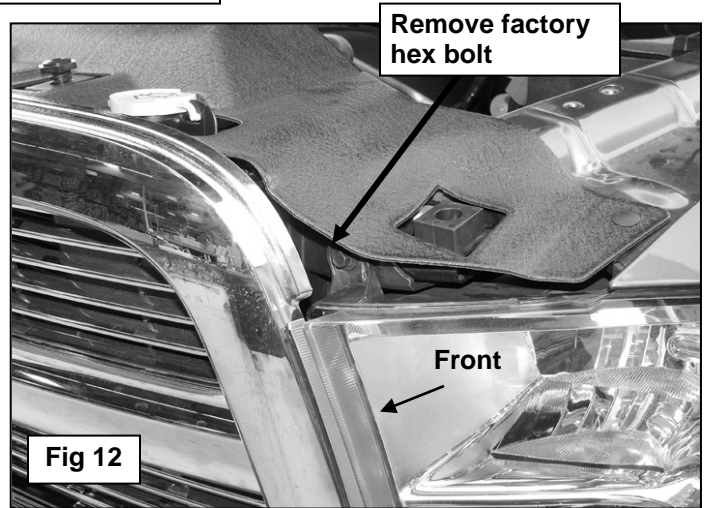
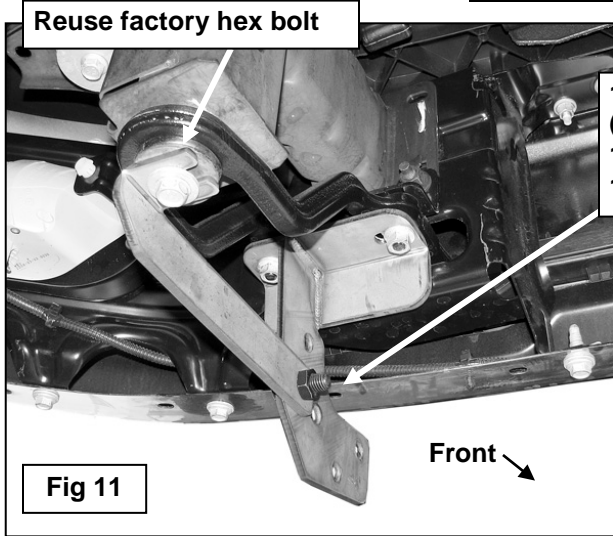
(Fig 8) Driver side mounting location pictured from behind bumper on tow hook equipped model

**IMPORTANT:** For models without tow hooks, only use the supplied  
 12-1.5mm x 30mm Fine Thread Hex Bolt  
 12mm Lock Washer  
 12mm Flat Washer



(Fig 10) Attach the driver side Frame Mounting Bracket to the bottom of the tow

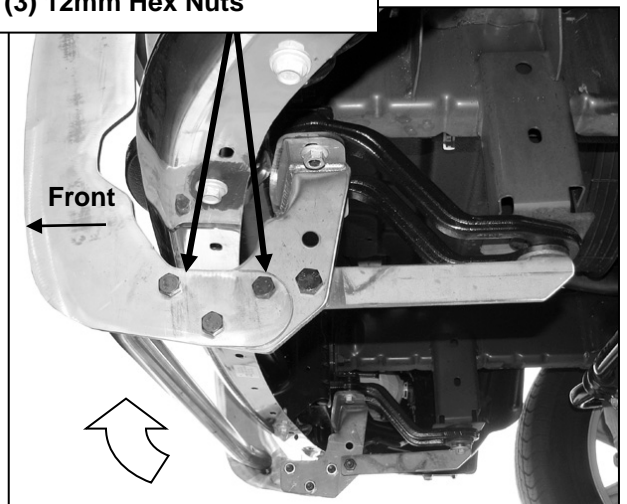
**Driver Side Installation Pictured**



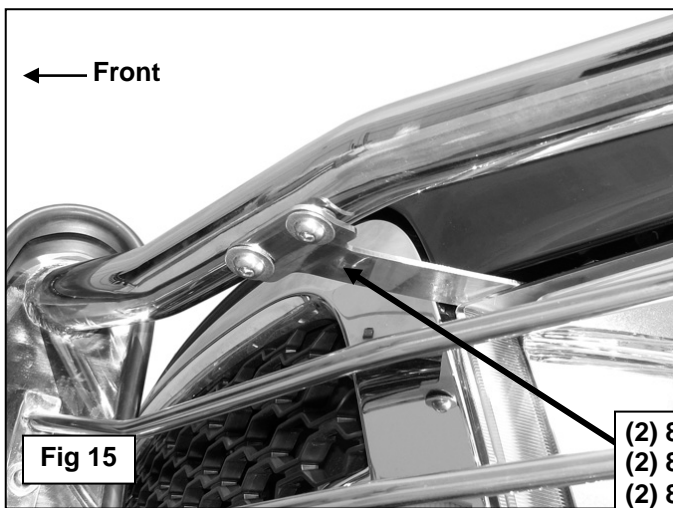
(Fig 13) Insert tab on Top Bracket between the headlight housing and radiator support

Installation pictured without the splash guard for instruction purposes only

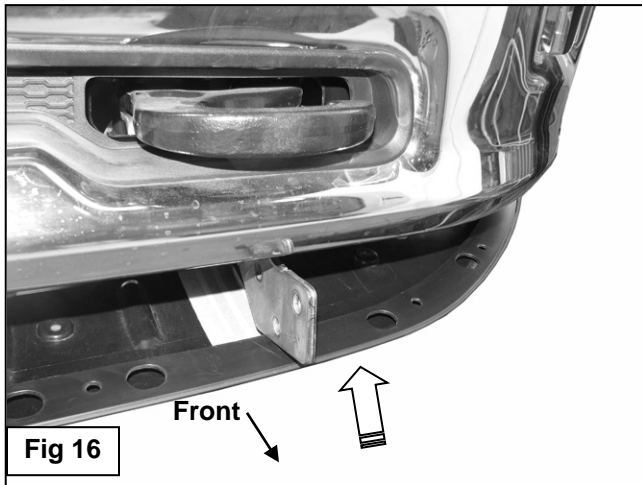
- (3) 12mm x 35mm Hex Bolts
- (6) 12mm Flat Washers
- (3) 12mm Lock Washers
- (3) 12mm Hex Nuts



(Fig 14) Rotate the Grille Guard up into position

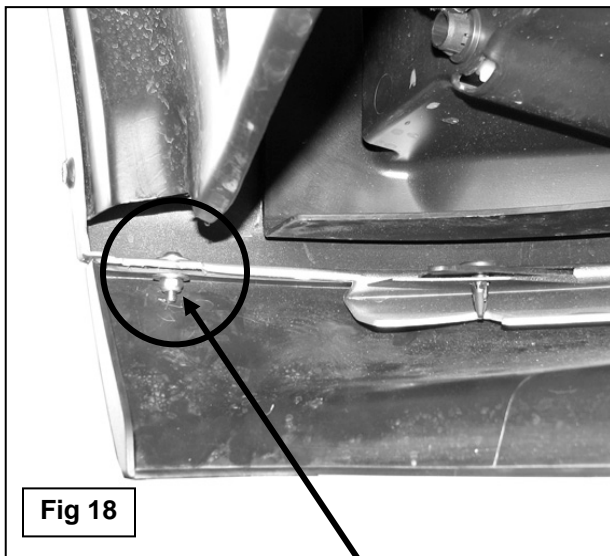
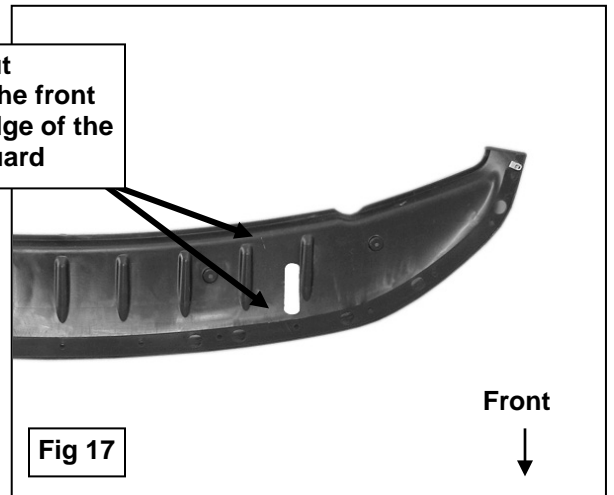


## Driver Side Installation Pictured



Hold the splash guard up to the brackets and mark location for cutting to clear brackets. Cut only what is needed to insert bracket through the splash guard of the splash guard.

Do not cut through the front or rear edge of the splash guard



If required, replace the rivet at the corner of the splash guard with the supplied:  
5mm x 15mm Button Head Allen Bolt  
(2) 5mm Flat Washers  
5mm Nylon Lock Nut

## Parts List

1	LED light bar, 10"
1	Mounting bracket, left
1	Mounting bracket, right
1	Wiring harness
2	Security screw, M6 - 1.0 x 25mm
2	Rubber spacer, M6
2	Flat washer, M6
2	Hex head cap screw, M8 - 1.25 x 18mm
2	Flat washer, M8
2	Nylock nut, M8 -1.25mm
1	Security screw L-wrench
1	15-amp fuse, pre-installed

## Step 1

Mount the LED light in the desired location with a rubber spacer between the mounting surface and each bracket.

**Note:** If this light bar is being used with a 24V system, the relay will need to be replaced with a 24V unit.

Disconnect the supplied switch from the wiring harness and install in the desired location.

## Step 2

Once the LED light bar and switch are installed, route the wiring harness to the light. Insert the male plug on the wiring harness into the female socket on the LED light. Reconnect the blue, red and black spade connectors to the switch (see the wiring diagram).

## Step 3

Connect the red fused wire with the ring terminal to the positive (+) battery post. Connect the black wire ring terminal to the negative (-) battery post or other suitable vehicle grounding point.

## Step 4

Mount the provided relay to the vehicle and secure all wires with zip ties away from moving parts to avoid damage. Test the light to ensure proper function.

## Level of Difficulty

Easy

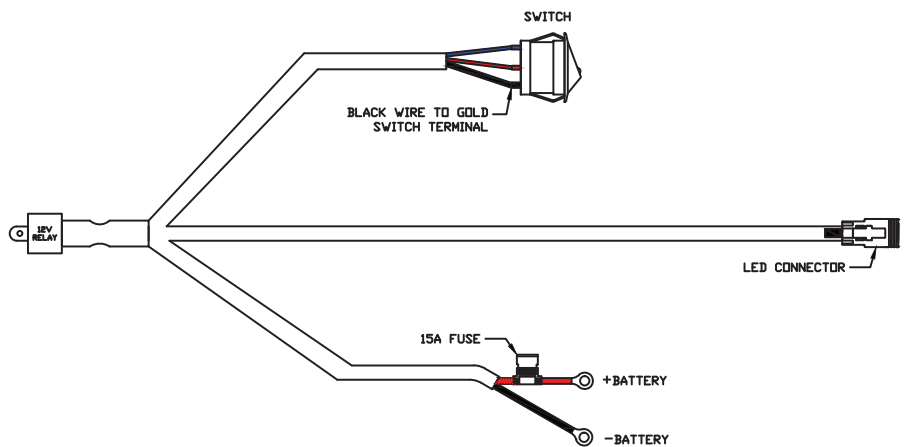


Scan for helpful install tips

## Product Image



## Wiring Diagram



## Notes and Maintenance

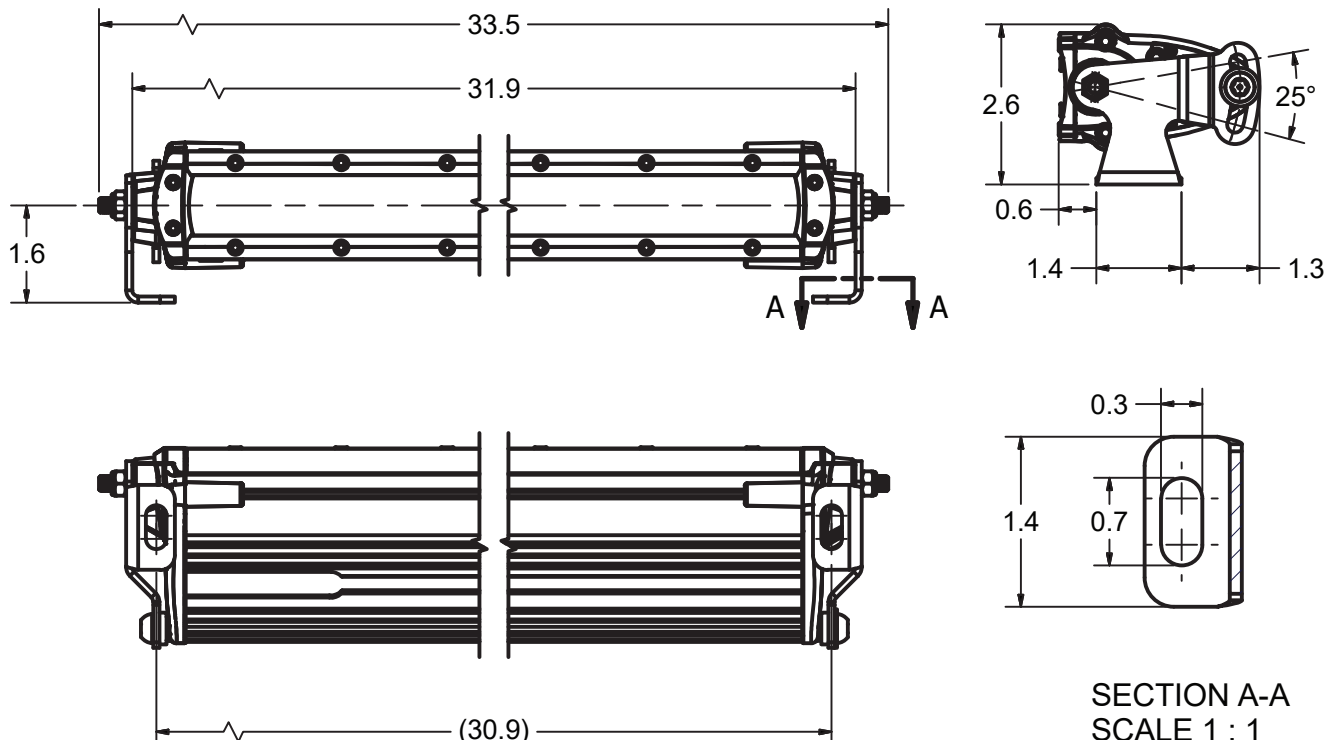
Before you begin installation, read all instructions thoroughly.

Periodic inspection of all wires and connections should be performed to ensure there is no visible damage or loose connections.

**WARNING:** Improper electrical installation may damage electronic components resulting in personal injury, property or equipment damage. Damaged caused by incorrect installation is not covered by warranty. Installation should only be performed by qualified personnel with a solid understanding of electrical systems.



## Basic Dimensions



## Mounting Illustration

