



FOR INSTALLATION WITH
30886 Rail Kit

Product Instructions

Bracket-Ford SD Dual Whl

Part Number:

308862

CAUTION: Under no circumstances do we recommend exceeding the towing vehicle manufacturers recommended vehicle towing capacity, Or the lowest rated component of your system.

READ ALL INSTRUCTIONS BEFORE STARTING THE INSTALLATION OR USE

Equipment Required:

Fastener Kit:

Wrenches/ Sockets: 21mm, Torx Plus 60IP, 24EP TORX Plus

Other Tools: Torque Wrench, Ratchet

#	Description	QTY
1	Driver Side Bracket	1
2	Passenger Side Bracket	1
3	Existing Underbed	1

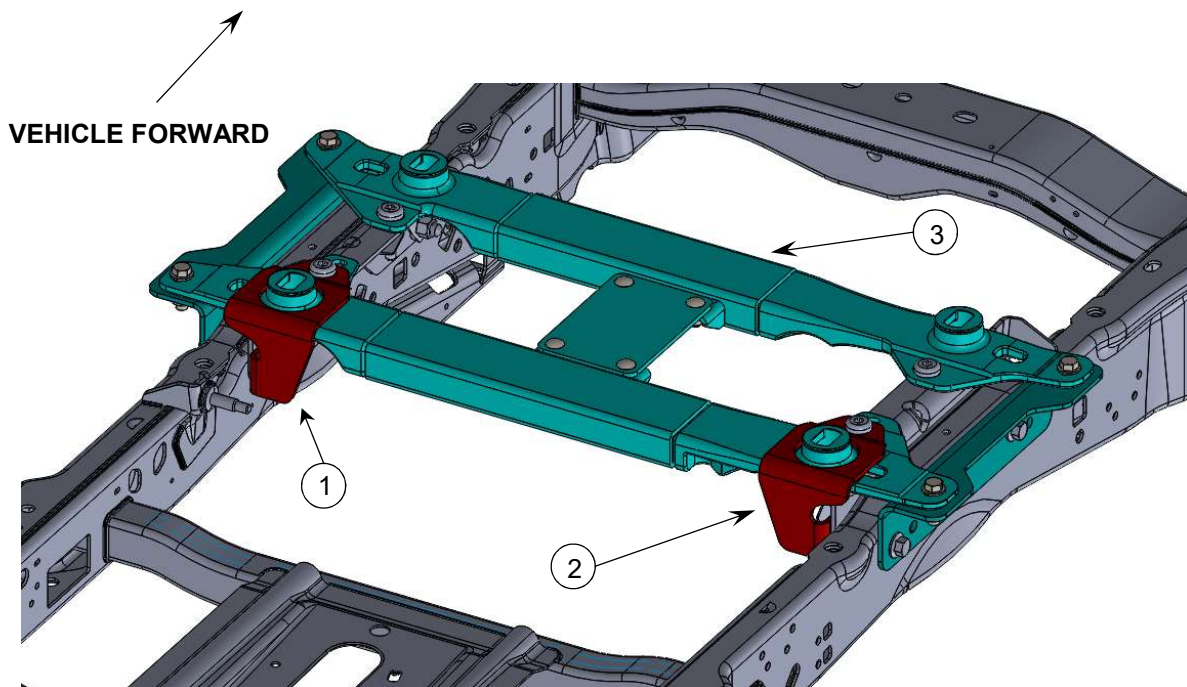


FIG. 1

Table of Contents

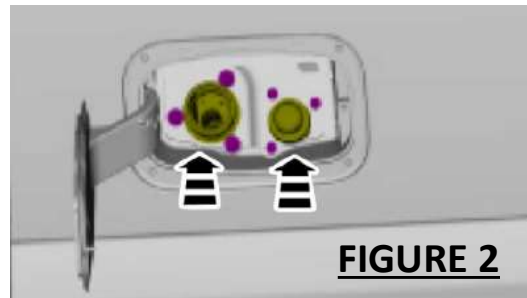
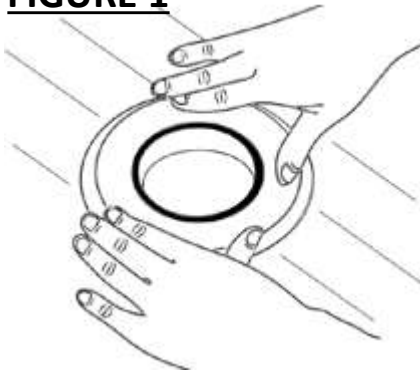
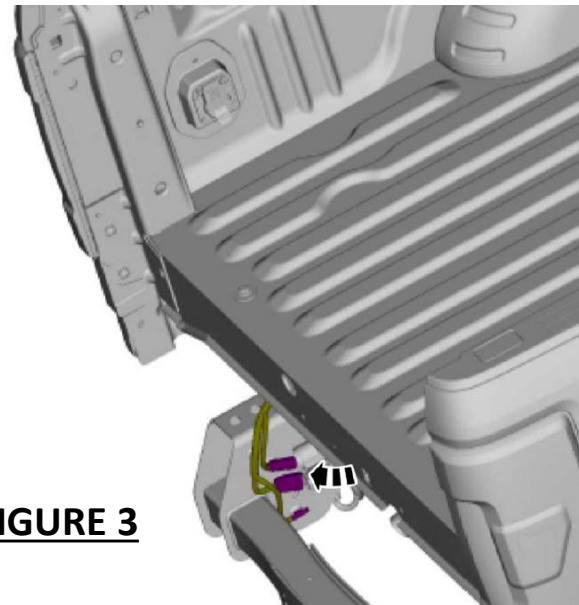
1. Installation -----	p 1	3. Maintenance -----	p 6
2. Assembly and Installation -----	p 2 - 4	4. Warranty -----	p 7

ASSEMBLY AND INSTALLATION

1. The Pickup bed must be removed to install this kit.

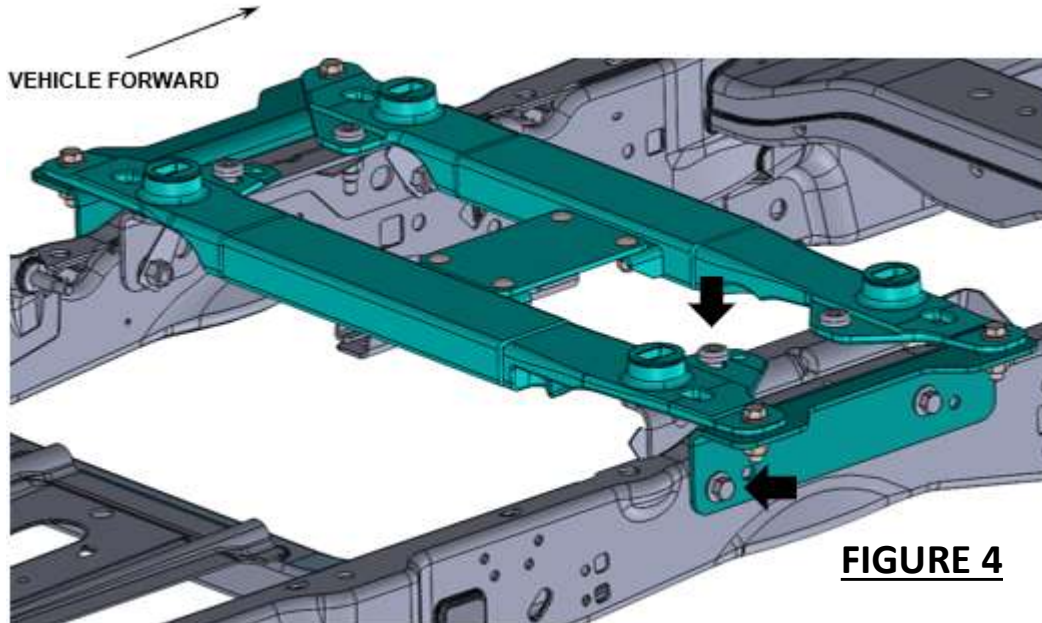
Pickup Bed Removal

1. Remove the tailgate from the pickup bed.
 1. Open the tailgate.
 2. Detach tailgate tether cables on each side (with the helping hands of an assistant).
 3. Remove tailgate from pickup bed.
2. Remove the rail kit trim rings (Figure 1).
3. Remove fuel filler
 1. Remove fill cap(s).
 2. Remove filler tube retaining screws and position filler down and out of the bed.
4. **NOTE:** Diesel engine shown, gas engine similar (Figure 2).
5. Disconnect the LH and RH wire harnesses located on the hitch behind the bumper (LH shown in figure 3).
6. Remove Pickup bed mounting bolts.
 1. Use a 24EP TORX Plus Socket for removal.
7. Remove pick up bed.
 1. Four people are recommended for this task.
 - **NOTE:** DO NOT set pickup bed directly on the ground, Use Stands to support the bed similar to how the bed is supported while installed on the truck.

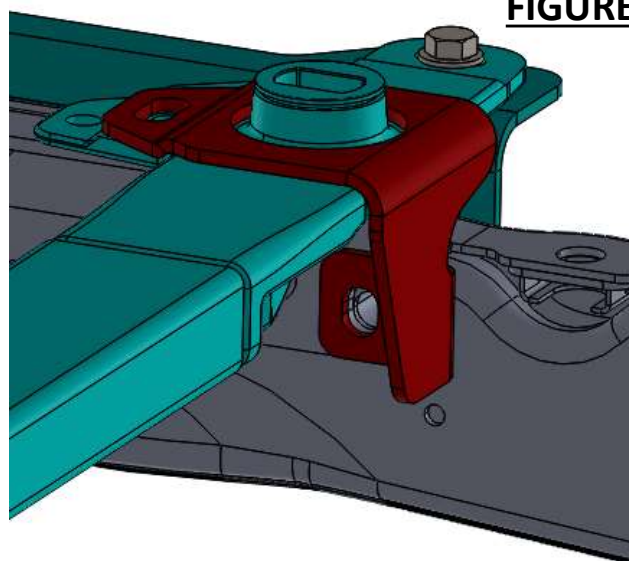
FIGURE 1**FIGURE 2****FIGURE 3**

ASSEMBLY AND INSTALLATION

1. Remove the rear outer frame bracket bolts and the rear inner bracket rail mounting bolts as shown below (Figure 4).



1. Place the correct bracket over the rail as shown and reinstall all hardware (Figure 5).
2. Torque the outer frame bracket bolts to 184 ft-lb (250 Nm).
3. Torque the rail mounting bolts to 173 ft-lb (235Nm).





FOR INSTALLATION WITH
30886 Rail Kit

Product Instructions

Bracket-Ford SD Dual Whl

Part Number:

308862

ASSEMBLY AND INSTALLATION

1. Reinstall the pickup bed.

Pickup Bed Installation

1. Install pickup bed
 - Ensure the locating pins shown in figure 6 are properly installed to both the pickup frame and pickup bed to prevent misalignment.
2. Tighten the eight bolts to 129 ft-lbs (175 Nm).

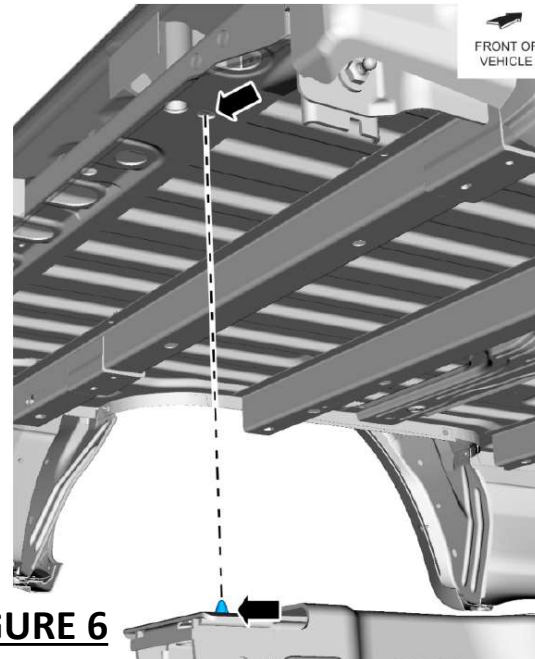


FIGURE 6

3. Install the fuel filler pipe and tighten to 44 in-lb (5 Nm).
4. If equipped, install the urea filler pipe and tighten to 22 in-lb (2.5 Nm).
5. Reconnect the LH and RH wire harnesses.
6. Install the tailgate onto the pickup bed.
7. Reinstall the rail kit trim rings

Trim Kit Installation

1. Install the trim rings (Figure 7).
 1. Slightly invert the trim ring by pressing on the inner diameter with your thumbs.
 2. Insert the trim ring around the groove on the mounting puck. Work the trim ring around the puck to fully seat it.
 3. Repeat for all 4 trim rings.

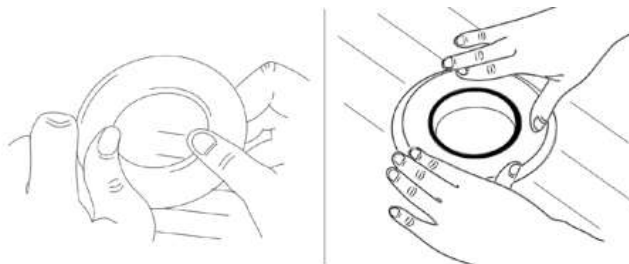


FIGURE 7



FOR INSTALLATION WITH
30886 Rail Kit

Product Instructions

Bracket-Ford SD Dual Whl

Part Number:

308862

LIMITED LIFETIME WARRANTY

Horizon Global Corporation. ("We" or "Us") warrants to the original consumer purchaser only ("You") that the product will be free from material defects in both material and workmanship, ordinary wear and tear expected; provided that installation and use of the product is in accordance with product instructions. There are no other warranties, express or implied, including the warranty of merchantability or fitness for a particular purpose. This warranty is not transferable.

This warranty does not cover: (a) normal wear and tear; (b) damage through abuse, neglect, misuse, or as a result of any accident or in any other manner; (c) damage from misapplication, overloading, or improper installation; (d) improper maintenance and repair; and (e) product alteration in any manner by anyone other than Us, with the sole exception of alterations made pursuant to product instructions and in a workmanlike manner.

To make a Warranty claim, contact Us, at our principal address of 47912 Halyard Dr. Suite 100, Plymouth, MI 48170, 1-800-632-3290, identify the product by model number, and follow the claim instructions that will be provided. Any returned product that is replaced by Us becomes our property. You will be responsible for return shipping costs. Please retain your purchase receipt to verify date of purchase and that You are the original consumer purchaser. The product and the purchase receipt must be provided to Us in order to process Your Warranty claim.

Product replacement is Your sole remedy under this Warranty. We shall not be liable for service or labor charges incurred in removing or replacing a product or any incidental or consequential damages of any kind.

You acknowledge and agree that any use of the product for any purpose other than the specified use(s) stated in the product instructions is at Your own risk.

This Warranty gives you specific legal rights, and You may also have other rights which vary from state to state. This Warranty is governed by the laws of the State of Michigan, without regard to rules pertaining to conflicts of law. The state courts located in Oakland County, Michigan shall have exclusive jurisdiction for any disputes relating to this warranty.

**For the most up to date product
instructions, installation and use
information please scan the QR
code or call
1-800-632-3290**



Horizon Global
47912 Halyard Dr. Suite 100
Plymouth, MI 48170