

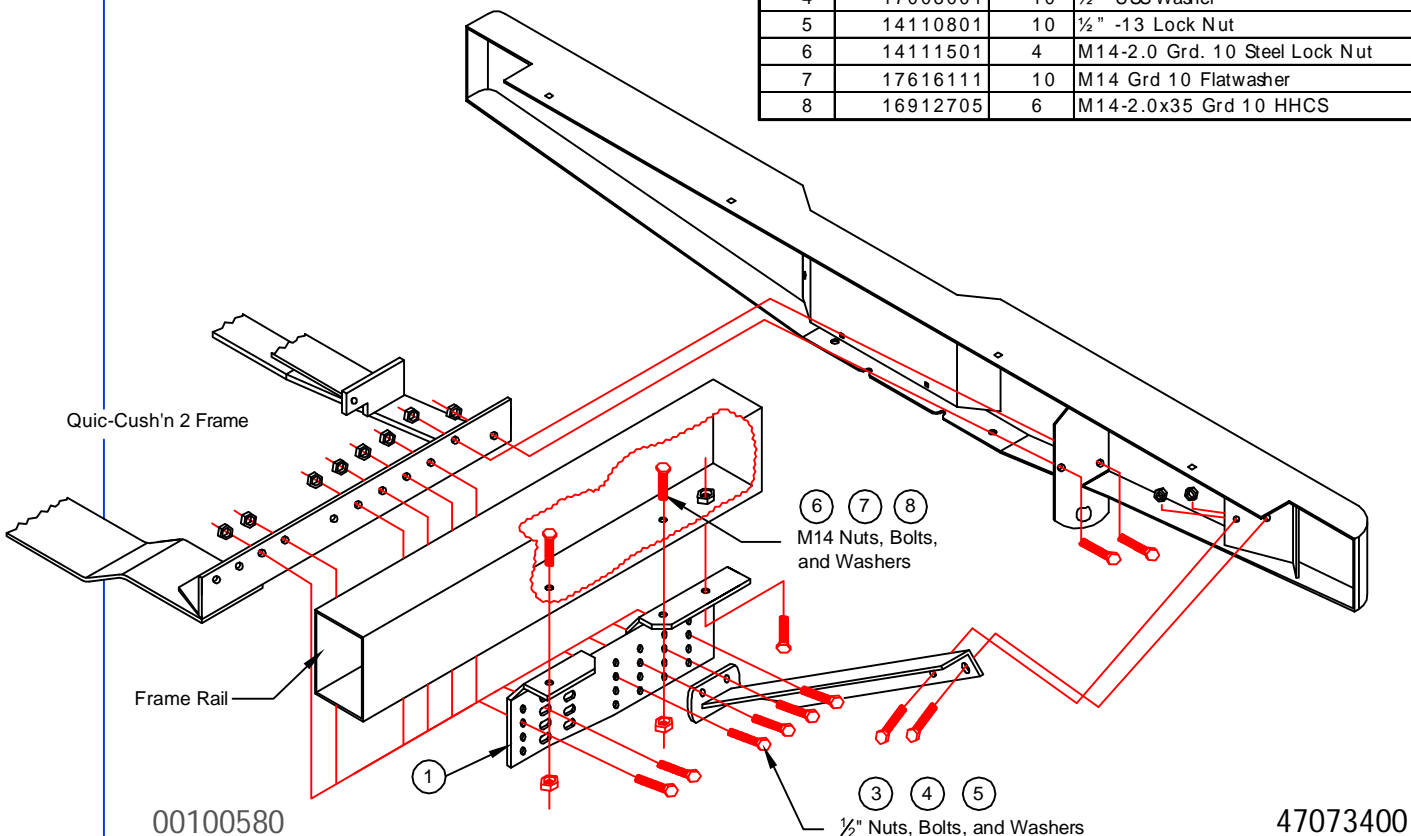
Quic-Cush'n 2 Towing System 2011 - 2013 GM 2500/3500 Long Bed

Assembly Instructions

1. Remove spare tire and tighten tire carrier to prevent vibration noise.
2. Remove bumper and exhaust heat shield.
3. If applicable, remove existing bolts for factory hitch (3 each side and 2 to bumper step). Remove factory hitch.
4. Identify left and right hand mounting brackets (#1, 2) per diagram. Attach mounting brackets to the bottom side of truck frame using M14 nuts, bolts, and washers (#6, 7, 8). Rearmost mounting hole will have a metric nut tacked to the inside of the truck frame. Secure with M14 bolt and washer. Position M14 bolts in other 2 mounting holes each side through access holes in truck frame, and secure with nuts and washers. Do not torque at this time.
5. Raise hitch frame to position and loosely install 1/2" bolts (#4) through frame and mounting brackets. Support arms to bumper will bolt on the outside of mounting brackets, as shown in diagram. Hold in position with 1/2" nuts and washers (#5, 6).
6. **IMPORTANT:** Torque M14 bolts to 145 ft lbs.
7. **IMPORTANT:** Torque 1/2" diameter grade 5 bolts to 83 ft lbs.
8. **IMPORTANT:** when complete check all clearances between truck components and Quic'n Easy receiver hitch assembly. A minimum of 2- 1/4" between the spring casting and above obstructions is required to allow proper and safe operation.
9. **IMPORTANT:** check hitch and mounting kit periodically for loose fasteners or weakened welds and structural members.

****This mount is designed for a Class V DMI hitch with a gross load capacity of 17,000 lbs. when used as a weight-carrying hitch. However, the maximum towing capacity is limited to the lowest capacity of any component in the towing system. DO NOT EXCEED TRUCK MANUFACTURER'S TOWING CAPACITY.****

ITEM	PART NUMBER	QTY	DESCRIPTION
1	47073401	1	QC2 2011 GM 2500/3500 LONG BED LH
2	47073402	1	QC2 2011 GM 2500/3500 LONG BED RH
3	16008075	10	1/2" -13x1-3/4" Hex GRD 5
4	17008001	10	1/2" USS Washer
5	14110801	10	1/2" -13 Lock Nut
6	14111501	4	M14-2.0 Grd. 10 Steel Lock Nut
7	17616111	10	M14 Grd 10 Flatwasher
8	16912705	6	M14-2.0x35 Grd 10 HHCS



****Limited two year warranty by United Truck Parts. Visit www.unitedtruckparts.com for more details.****