

# COVER PAGE

RAM 3500  
50085 CUSTOM QUICK INSTALL

MOUNTING KIT

30035/58058, Pages 1-3

30095/30124, Pages 4-6

## NOTE!

Prior to installing product, please visit one of our websites to assure your kit contains the most recent revision to installation instruction and verify vehicle application.

***[www.ReeseProducts.com](http://www.ReeseProducts.com)***

# Installation Instructions

## CUSTOM QUICK INSTALL MOUNTING KIT

Ram 3500

Part Numbers:

50085

### INSTALLATION SHOWN FOR THE 58058 OR 30035 RAILS

**Equipment Required:**

Fastener Kit: 50085F

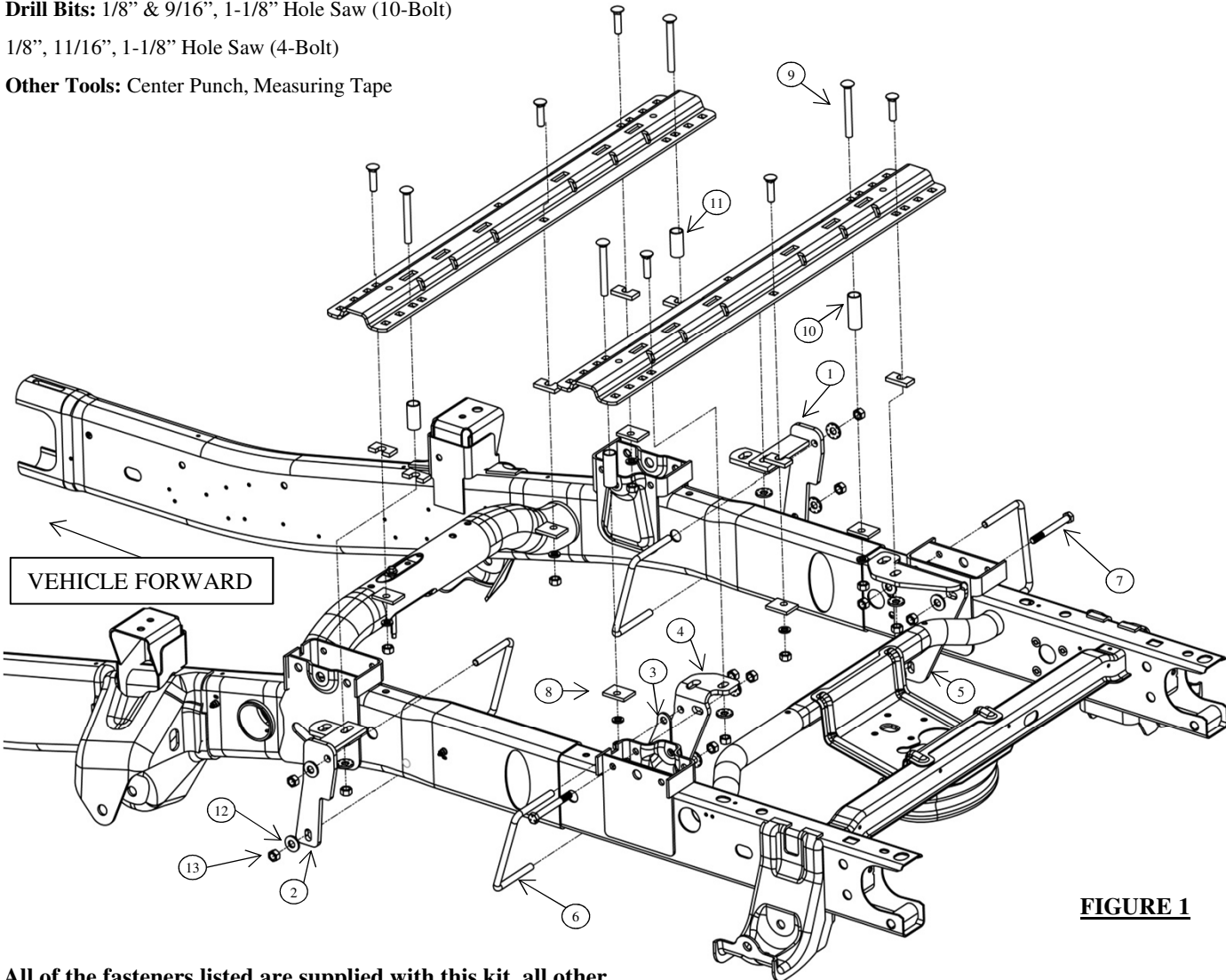
Wrenches: 3/4", 15/16"

Drill Bits: 1/8" & 9/16", 1-1/8" Hole Saw (10-Bolt)

1/8", 11/16", 1-1/8" Hole Saw (4-Bolt)

Other Tools: Center Punch, Measuring Tape

**WARNING:** Under no circumstances do we recommend exceeding the towing vehicle manufacturers recommended vehicle towing capacity.



**All of the fasteners listed are supplied with this kit, all other mentioned fasteners are supplied with rail kit 58058**

ITEM	DESCRIPTION	QUANTITY	ITEM	DESCRIPTION	QUANTITY
1	PASSENGER FRONT BRACKET	1	8	BLOCK, .25" X 1.5" X 2"	6
2	DRIVER FRONT BRACKET	1	9	CARRIAGE BOLT, 1/2-13 X 4-1/2" GR 5	4
3	DRIVER REAR SPACER PLATE	1	10	TUBE SPACER, 2-3/4"	2
4	DRIVER REAR BRACKET	1	11	TUBE SPACER, 2"	2
5	PASSENGER REAR BRACKET	1	12	CONICAL WASHER, 1/2"	10
6	U-BOLT, 1/2 - 13 x 4-3/8" GR 5	4	13	HEX NUT, 1/2-13 GR 5	10
7	BOLT, 1/2-13 X 5" GR 5	2			

**FOR  
INSTALLATION OF  
58058 OR 30035  
RAIL KITS**

**Installation Instructions  
CUSTOM QUICK INSTALL  
MOUNTING KIT  
Ram 3500**

Part Numbers:  
**50085**

1. Do not install mounting rails over plastic bed liners. Plastic bed liners must be cut out of the way to provide metal to metal contact. Mounting rails may be installed on spray in liners.
2. Use only bolts, nuts, and washers supplied to install this kit. All bolts & nuts are Grade 5 unless otherwise specified.
3. These instructions are guidelines only, actual installation is the responsibility of the installer and the owner. Always measure truck and trailer before installing hitch to be sure that there is clearance at the cab and at the bumper to allow for turns.
4. Lower and remove spare tire if extra room is needed. If required, remove inner plastic wheel well liner and detach the exhaust hangers to allow access to frame.
5. Detach the clips which fasten the electrical wire loom and brake lines to the inboard driver side of the frame.
6. Place the rear mounting rail in the box of the truck, using your tape measure, center the rail between the weld seams on the length of the truck box floor and the proper distance from the rear edge of the truck box as shown in Figure 2.  
**Note:** It is critical that rail is centered side to side on the truck bed.
7. Mark and center punch the holes as shown in Figure 2 (Rows 1 & 2). Remove the rail and drill each position with a 1/8" drill bit.
8. Temporarily position the frame brackets on the frame and check that the 1/8" drilled holes align with the slots of the frame bracket (See Figure 1). Remove the frame brackets from the vehicle.
9. Enlarge the 1/8" drilled holes to 9/16" **if no tube spacer are used there.**
10. Use a 1-1/8" hole saw to enlarge the bed holes for the tube spacers (10)(11) in row 2 and 3.  
**Note:** Only use the hole saw to cut through the bed and not the bed support. **Enlarge 1/8" holes to 9/16" in the bottom of the bed support.** The tube spacers in row 2 should align with the center of the bed support for mounting. **Paint all bare metal.**
11. Loosely install the frame brackets and spacer plate (front (1)(2) & rear (3)(4)(5)) by attaching the U- bolts (6), conical washers (12) and hex nuts (13) (See Figure 1). (**Note: Make certain that wires and brake lines are not between brackets/U-bolt and frame.**)
12. Move rear mounting rail into position. Install the 1/2-13 x 2" carriage bolts that are supplied with the rails with the block spacer to be located in the corrugation between the box and the mounting rail or between the box and rear brackets (4) (5), through the rail and rear brackets (4) (5). (**Note: the block spacer is to eliminate crushing bed corrugation.**) Attach .25" x 1.5" x 2" block (8), 1/2" conical washers and 1/2" nut to the underside of the brackets per the illustrations and tighten snug to keep the mounting rail from moving. (For Row 1)
13. The carriage bolts on the forward side of the rear rail's (row 2) and the center of the rail in row 1 will fasten directly through bed/bed support. Attach the 1/2" carriage bolts with .25"x1.5"x 2" block (8), 1/2" lock washer, and 1/2 - 13 hex nut under the bed/bed support.
14. Place the unassembled 5th wheel saddles/slider/goose into the already installed mounting rail. Position the front mounting rail with the saddles/slider/goose by inserting the tabs into the mounting rail and pushing the mounting rail tight towards the other mounting rail. Ensure that the mounting rail is centered between the weld seams on the length of the truck box floor. This will position the mounting rail in the correct location and ensure that the 5th wheel will have a snug fit to the truck. NOTE: If more than one hitch product will be used with the rails then both should be used at the same time to align the second rail. This will ensure that one product does not compromise the fit of the other.
15. Repeat steps 8 through 10.
16. Move the mounting rail into position. Install the 1/2-13 x 2" carriage bolts with the block spacer to be located in the corrugation between the box and the mounting rail or between the box and front brackets (1) (2). (**Note: the block spacer is to eliminate crushing bed corrugation.**) The rear end of the front brackets (Row 3) will be attached using the .25" x 1.5" x 2" block (8), 1/2" lock washers and 1/2" hex nut as described in step 12 and shown in Figure 1. Attach the forward side of the front brackets (Row 4) with spacers, washers and nuts per the illustrations and tighten snug to keep the mounting rail from moving.
17. After fully installing the 50085 custom mounting brackets, tighten the fasteners in the following sequence. **Note: Torque all 1/2" hardware to 75 ft-lbs (102 N\*M). First torque the mounting rails to the frame brackets and then torque the frame brackets to the truck frame.**
18. Reattach the electrical wire loom and brake lines to the frame. Use the supplied cable tie, if necessary. Reattached the exhaust hangers. If removed, reinstall spare tire and plastic inner wheel well liner.

# Installation Instructions

Part Numbers:

## CUSTOM QUICK INSTALL MOUNTING KIT

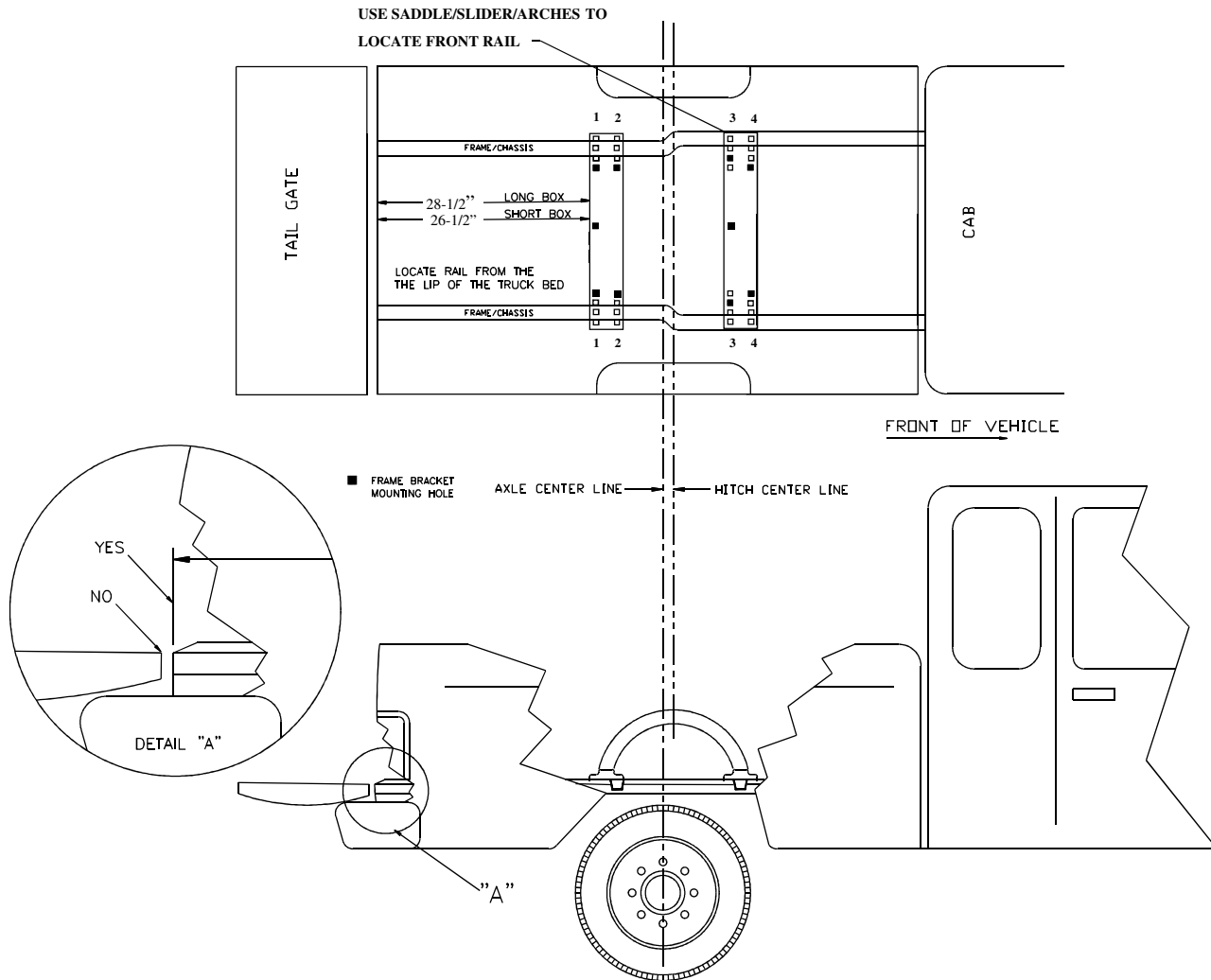
**50085**

**Ram 3500**

**Figure 2**

### **Position the Rail**

### **RAILS 58058 OR 30035 ONLY**



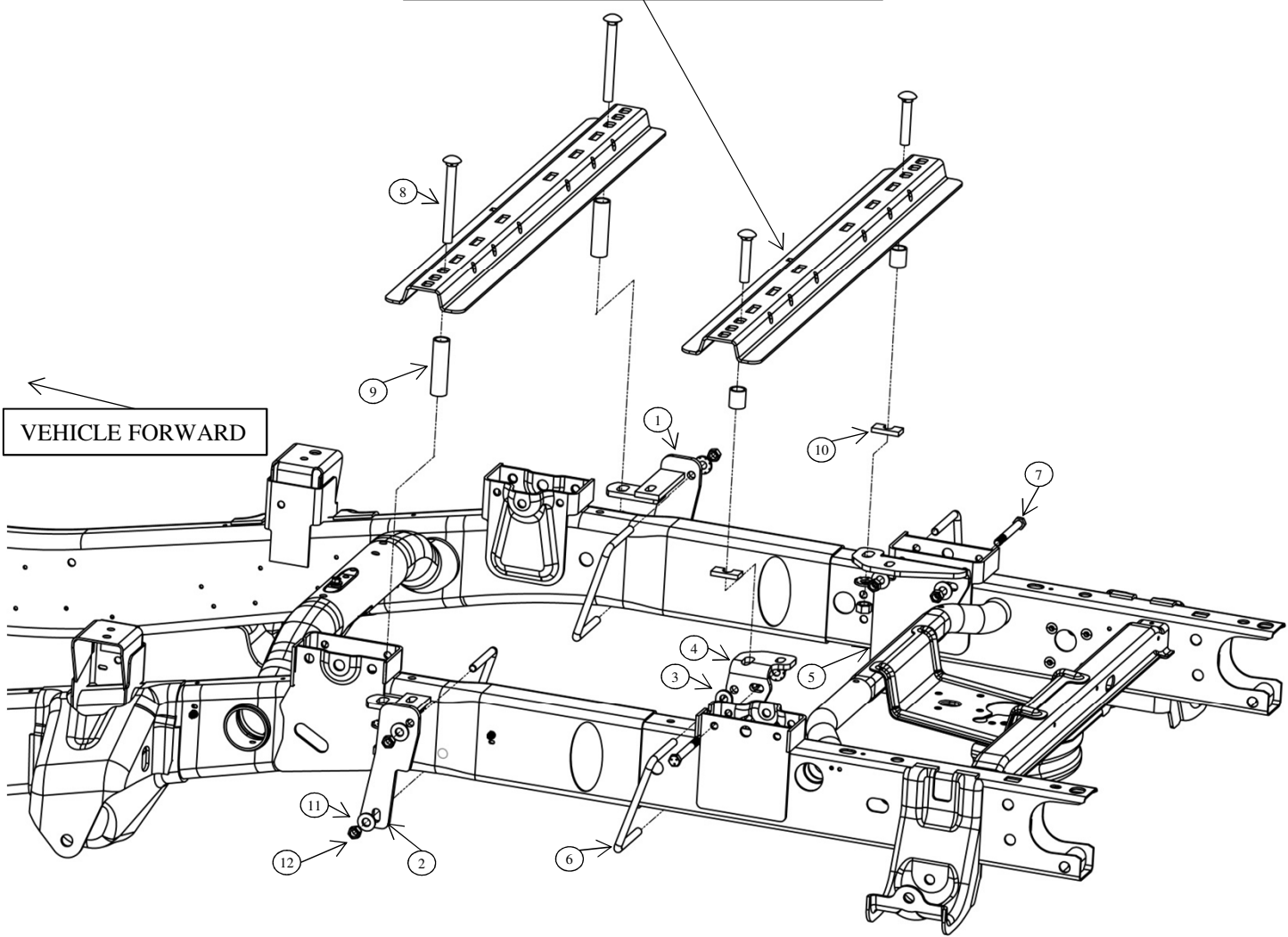
**FOR RAILS 58058 OR 30035 ONLY**

# INSTALLATION SHOWN FOR THE 30124 OR 30095 RAILS

**Figure 3**

CENTER BOLTS AND HARDWARE ARE SUPPLIED WITH FIFTH WHEEL OR GOOSENECK HITCHES THAT ARE RATED OVER 18K

All Fasteners Typical On All Brackets



**All of the fasteners listed are supplied with this kit, all other mentioned fasteners are supplied with rail kit 30124**

ITEM	DESCRIPTION	QUANTITY	ITEM	DESCRIPTION	QUANTITY
1	PASSENGER FRONT BRACKET	1	7	BOLT, 1/2-13 X 5" GR 5	2
2	DRIVER FRONT BRACKET	1	8	CARRIAGE BOLT, 5/8-11 X 6" GR 5	2
3	DRIVER REAR SPACER PLATE	1	9	TUBE SPACER, 4"	2
4	DRIVER REAR BRACKET	1	10	BLOCK, .313" X 2" X 1"	2
5	PASSENGER REAR BRACKET	1	11	CONICAL WASHER, 1/2"	10
6	U-BOLT, 1/2-13 x 4-3/8" GR 5	4	12	HEX NUT, 1/2-13 GR 5	10

**FOR  
INSTALLATION OF  
30124 OR 30095  
RAIL KITS**

**Installation Instructions  
CUSTOM QUICK INSTALL  
MOUNTING KIT  
Ram 3500**

Part Numbers:  
**50085**

1. Do not install mounting rails over plastic bed liners. Plastic bed liners must be cut out of the way to provide metal to metal contact. Mounting rails may be installed on spray in liners.
2. Use only bolts, nuts, and washers supplied to install this kit. All bolts & nuts are Grade 5 unless otherwise specified.
3. These instructions are guidelines only, actual installation is the responsibility of the installer and the owner. Always measure truck and trailer before installing hitch to be sure that there is clearance at the cab and at the bumper to allow for turns.
4. Lower and remove spare tire if extra room is needed. If required, remove inner plastic wheel well liner and detach the exhaust hangers to allow access to frame.
5. Detach the clips which fasten the electrical wire loom and brake lines to the inboard driver side of the frame.
6. Place the rear mounting rail in the box of the truck, using your tape measure, center the rail between the weld seams on the length of the truck box floor and the proper distance from the rear edge of the truck box as shown in Figure 4.  
**Note:** It is critical that rail is centered side to side on the truck bed.
7. Mark and center punch the holes as shown in Figure 4. Remove the rail and drill each position with a 1/8" drill bit.
8. Temporarily position the frame brackets on the frame and check that the 1/8" drilled holes align with the slots in the frame bracket (See Figure 1). Remove the frame brackets from the vehicle.
9. Enlarge the 1/8" drilled holes to 1 1/8" **in 2 places for tube spaces (9).**  
**Note:** Only use the hole saw to cut through the bed and not the bed support. **Enlarge all other 1/8" holes to 11/16". Paint all bare metal.**
10. Loosely install the frame brackets and spacer plate (front (1)(2) & rear (3)(4)(5)) by attaching the U-bolts (6), conical washers (11) and hex nuts (12). (See Figure 3) **(Note: Make certain that wires and brake lines are not between brackets/U-bolt and frame.)**
11. Move rear mounting rail into position. Install the 5/8-11 x 3" carriage bolts that are supplied with the tube spacer along with the block spacer to be located in the corrugation between the box and the mounting rail or between the box and rear brackets (4) (5), through the rail and rear brackets (4) (5). **(Note the block spacer is to eliminate crushing bed corrugation.)** Attach 5/8" conical washers and 5/8" nut to the underside of the brackets per the illustrations and tighten snug to keep the mounting rail from moving.
12. Place the unassembled 5<sup>th</sup> wheel support arches/slider/goose into the already installed mounting rail. Position the forward mounting rail with the support arches/slider/goose by inserting the tabs into the mounting rail and pushing the mounting rail tight towards the other mounting rail. Ensure that the mounting rail is centered on the bed of the vehicle. This will position the rail in the correct location and ensure that the 5<sup>th</sup> wheel will have a snug fit to the truck. **Note:** If more than one hitch product will be used with the mounting rails then both types should be used at the same time to align the rearward mounting rail. This will ensure that one product does not compromise the fit of the other.
13. Repeat steps 8 through 10.
14. Move the mounting rail into position. Install the 5/8-11 x 6" carriage bolts (8) with the 4" tube spacer through the rails and into the front brackets (1) (2) Attach 5/8" conical washers and 5/8" nut to the underside of the brackets per the illustrations and tighten snug to keep the mounting rail from moving.
15. After fully installing the 50085 custom mounting brackets, tighten the fasteners in the following sequence. **Note: Torque all 5/8" hardware to 150 ft-lbs (204 N\*M) and all 1/2" hardware to 75 ft-lbs (102 N\*M). First torque the mounting rails to the frame brackets and then torque the frame brackets to the truck frame.**
16. Reattach the electrical wire loom and brake lines to the frame. Use the supplied cable tie, if necessary. Reattach the exhaust hangers. If removed, reinstall spare tire and inner plastic wheel well liner.

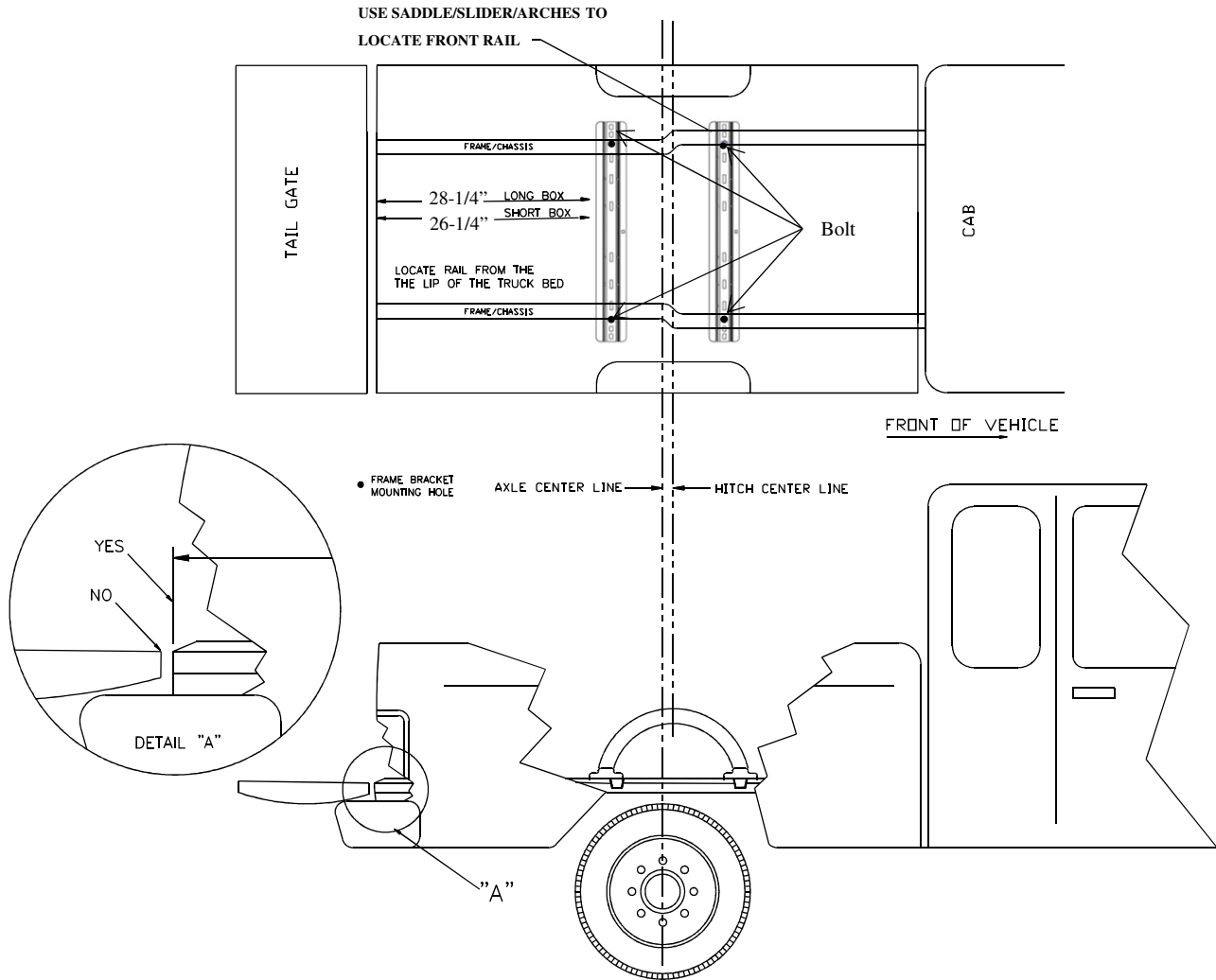
**Installation Instructions**  
**CUSTOM QUICK INSTALL**  
**MOUNTING KIT**  
**Ram 3500**

Part Numbers:  
**50085**

**Figure 4**

**Position the Rail**

**RAILS 30095 OR 30124 ONLY**



**FOR RAILS 30124 OR 30095 ONLY**

# PORTADA

RAM 3500  
KIT DE MONTAJE PARA INSTALACIÓN RÁPIDA  
A LA MEDIDA 50085

30035/58058, Pág. 1-3

30095/30124, Pág. 4-6

## ¡NOTA!

Antes de instalar el producto, visite uno de nuestros sitios web para asegurar que su kit contiene la versión más reciente de las instrucciones de instalación y verificar la aplicación del vehículo.

***[www.ReeseProducts.com](http://www.ReeseProducts.com)***



# Instrucciones de instalación

## KIT DE MONTAJE PARA INSTALACIÓN RÁPIDA A LA MEDIDA Ram 3500

Números de partes:

50085

**SE MUESTRA LA INSTALACIÓN PARA LOS LARGUEROS 58058 O 30035**

**Equipo necesario:**

Kit de tornillos: 50085F

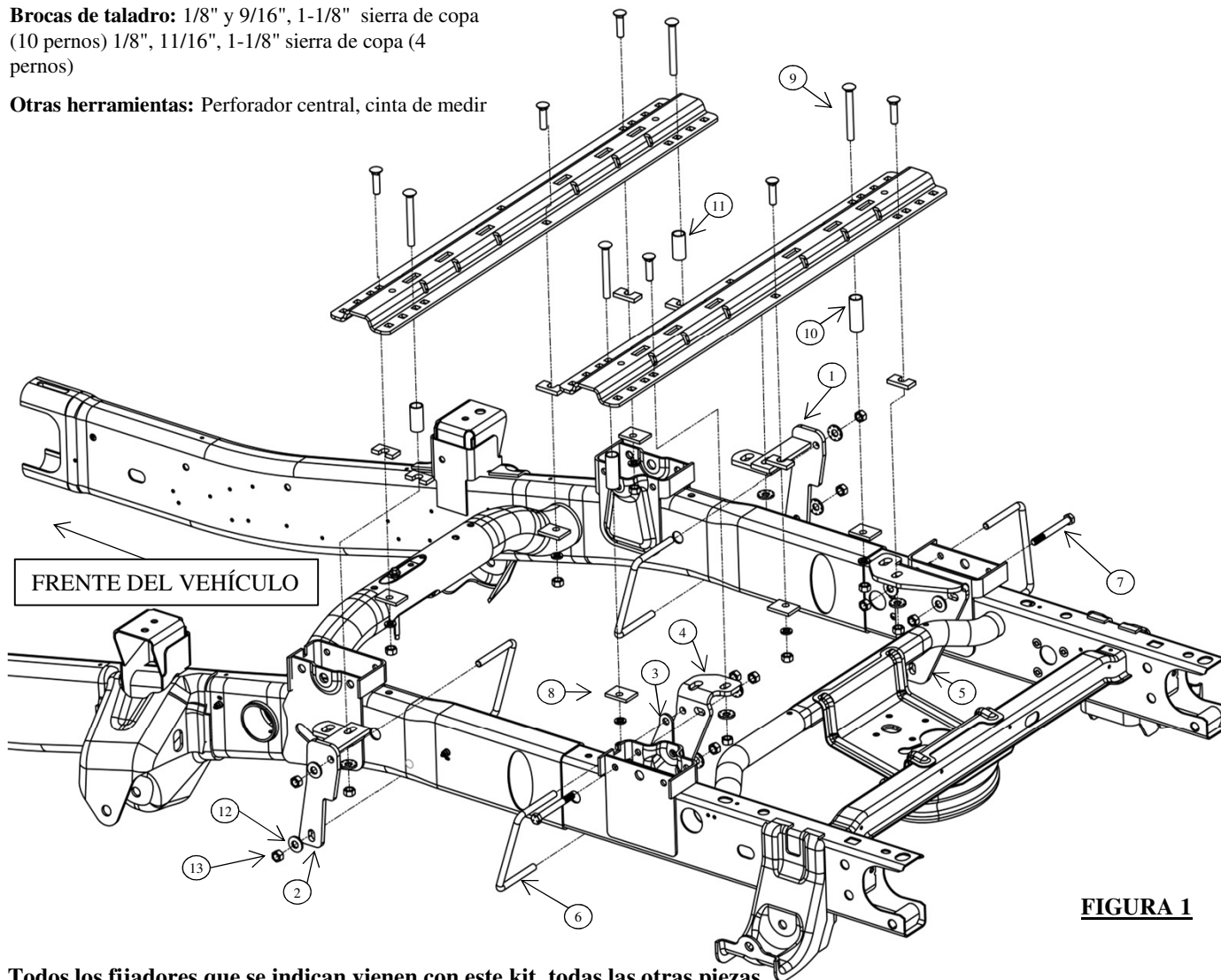
Llaves: 3/4", 15/16"

Brocas de taladro: 1/8" y 9/16", 1-1/8" sierra de copa  
(10 pernos) 1/8", 11/16", 1-1/8" sierra de copa (4 pernos)

Otras herramientas: Perforador central, cinta de medir

**ADVERTENCIA:**

Bajo ninguna circunstancia recomendamos superar la capacidad de remolque del vehículo recomendada por el fabricante del vehículo de remolque.



**FIGURA 1**

**Todos los fijadores que se indican vienen con este kit, todas las otras piezas mencionadas se suministran con el número de kit de largueros 58058.**

PIEZA	DESCRIPCIÓN	CANTIDAD	PIEZA	DESCRIPCIÓN	CANTIDAD
1	SOPORTE DELANTERO PASAJERO	1	8	BLOQUE, .25" X 1.5" X 2"	6
2	SOPORTE DELANTERO CONDUCTOR	1	9	PERNO CARR., 1/2-13 X 4-1/2" GR 5	4
3	PLACA ESPAC. TRASERA CONDUCTO	1	10	ESPACIADOR DE TUBO, 2-3/4"	2
4	SOPORTE TRASERO CONDUCTOR	1	11	ESPACIADOR DE TUBO, 2"	2
5	SOPORTE TRASERO PASAJERO	1	12	ARANDELA CÓNICA, 1/2"	10
6	PERNO EN U, 1/2 - 13 x 4-3/8" GR 5	4	13	TUERCA HEXAGONAL, 1/2-13 GR 5	10
7	PERNO, 1/2-13 X 5" GR 5	2			

**PARA LA INSTALACIÓN DE LOS KITS DE LARGUEROS 58058 O 30035**

**Instrucciones de instalación**  
**KIT DE MONTAJE PARA INSTALACIÓN RÁPIDA A LA MEDIDA**  
**RAM 3500**

Números de partes:  
**50085**

1. No instale largueros de montaje sobre los forros plásticos de la cama. Los forros plásticos de la cama deben cortarse para permitir contacto de metal a metal. Los largueros de montaje se pueden instalar en forros aplicados con spray.
2. Use únicamente pernos, tuercas y arandelas suministrados para instalar este kit. Todos los pernos y tuercas son Grado 5 a menos que se especifique lo contrario.
3. Estas instrucciones son pautas únicamente, la instalación como tal es responsabilidad del instalador y del propietario. Siempre mida el vehículo y el remolque antes de instalar el enganche para verificar que haya espacio en la cabina y en el parachoques para permitir los giros.
4. Baje y retire la llanta de repuesto si es necesario el espacio adicional. Si es necesario, quite el forro plástico del receptáculo de la rueda y separe los soportes del escape para permitir el acceso al bastidor.
5. Desprenda los clips que sujetan el cableado eléctrico y las líneas del freno hacia el interior del bastidor en el lado del conductor.
6. Coloque el larguero de montaje posterior en la caja del vehículo, usando la cinta de medir, centre el larguero entre las costuras de soldar a lo largo del piso de la caja del vehículo y la distancia correcta desde el borde posterior de la caja del vehículo como se ilustra en la Figura 2.

**Nota:** Es esencial que el larguero quede centrado de lado a lado en la cama del vehículo.

7. Marque y perforo los orificios según la ilustración en la Figura 2 (Filas 1 y 2). Retire el larguero y perforo cada posición con una broca de 1/8".
8. Coloque temporalmente los soporte del bastidor en el bastidor y revise que los orificios perforados de 1/8" se alineen con las ranuras del soporte del bastidor (ver Figura 1). Retire los soportes del bastidor del vehículo.
9. Incremente los orificios perforados de 1/8" a 9/16" **si no hay tubo separador se utilizan allí.**
10. Use una sierra de copa de 1-1/8" para agrandar los orificios de la cama para los espaciadores de tubo (10) (11) en la fila 2 y 3.

**Nota:** Solo use la sierra de copa para cortar a través de la cama y no el soporte de la cama. **Incremente 1/8 "agujeros a 9/16" en la parte inferior del soporte del lecho.** Los espaciadores de tubo en la fila 2 deben estar alineados con el centro del soporte de la cama para el montaje. **Pintar todo el metal desnudo.**

11. Sin apretar instale los soportes del bastidor y placa espaciadora (frente (1)(2) y atrás (3)(4)(5)) al instalar los pernos en U (6), las arandelas cónicas (12) y las tuercas hexagonales (13) ( Ver Figura 1). **(Nota: Verifique que los cables y líneas de freno no estén entre los soportes/perno en U y bastidor.)**
12. Mueva el larguero de montaje trasero a su posición. Instale los pernos de carruaje de 1/2-13 x 2" que se suministran con los largueros con el espaciador en bloque que se ubicarán en el corrugado entre la caja y el larguero de montaje o entre la caja y los soportes traseros (4) (5), a través del larguero y los soportes traseros (4) (5). **(Nota: el espaciador en bloque es para eliminar el corrugado abultado de la cama.)** Instale el bloque de 25" x 1.5" x 2" (8), las arandelas cónicas y la tuerca de 1/2" en la parte inferior de los soportes según las ilustraciones y apriete con firmeza para impedir que el larguero de montaje se mueva. (Para la Fila 1)
13. Los pernos de carruaje en la parte delantera del larguero trasero (fila 2) y el centro del riel en la fila 1 se fijarán directamente a través de la cama/soporte de la cama. Instale los pernos de carruaje de 1/2" con un bloque de .25" x 1.5" x 2" (8), arandela de bloqueo de 1/2", una tuerca hexagonal de 1/2-13 debajo de la cama/soporte de la cama.
14. Coloque la 5ta rueda/montura/deslizador/ganso sin armar dentro del larguero de montaje ya instalado. Coloque el larguero de montaje delantero con el deslizador/montura/ganso insertando las lengüetas dentro del larguero de montaje y empujando el larguero de montaje firmemente hacia el otro larguero de montaje. Verifique que el larguero de montaje esté centrado entre las costuras de soldar a lo largo del piso de la caja del vehículo. Esto posicionará el larguero de montaje en la ubicación correcta y verificará que la quinta rueda quede ajustada en el vehículo. **NOTA:** Si se va a usar más de un producto de enganche con los largueros entonces se deben usar ambos al mismo tiempo para alinear el segundo larguero. Esto asegurará que un producto no comprometa el ajuste del otro.
15. Repita los pasos 8 a 10.
16. Mueva el larguero de montaje a su posición. Instale los pernos de carruaje de 1/2-13 x 2" con el espaciador en bloque para localizarse en el corrugado entre la caja y el larguero de montaje o entre la caja y los soportes delanteros (1) (2). **(Nota: Observe que el espaciador en bloque es para eliminar el corrugado abultado de la cama.)** La parte trasera de los soportes delanteros (Fila 3) se unirán con el bloque de 25" x 1.5" x 2" (8), arandelas cónicas de 1/2" y tuerca hexagonal de 1/2", como se describe en el paso 12 y se muestra en la Figura 1. Instale el lado delantero de los soportes delanteros (Fila 4) con espaciadores, arandelas y tuercas según las ilustraciones y apriete hasta que queden firmes para impedir que el larguero de montaje se mueva.
17. Después de instalar completamente los soportes montaje 50085 a la medida, apriete los fijadores en la siguiente secuencia. **Nota: Apriete a torsión todas las piezas de 1/2" a 75 pies-lbs. (102 N\*M) Primero apriete los largueros de montaje en los soportes del bastidor y luego apriete los soportes del bastidor al bastidor del vehículo.**
18. Vuelva a colocar el cableado eléctrico y los cables del freno en el bastidor. Use el amarre de cables que se suministra. si es necesario. Vuelva a instalar los soportes del escape. Si se han retirado, vuelva a instalar la llanta de repuesto y el revestimiento plástico interior del receptáculo de la rueda.

# Instrucciones de instalación

Números de partes:

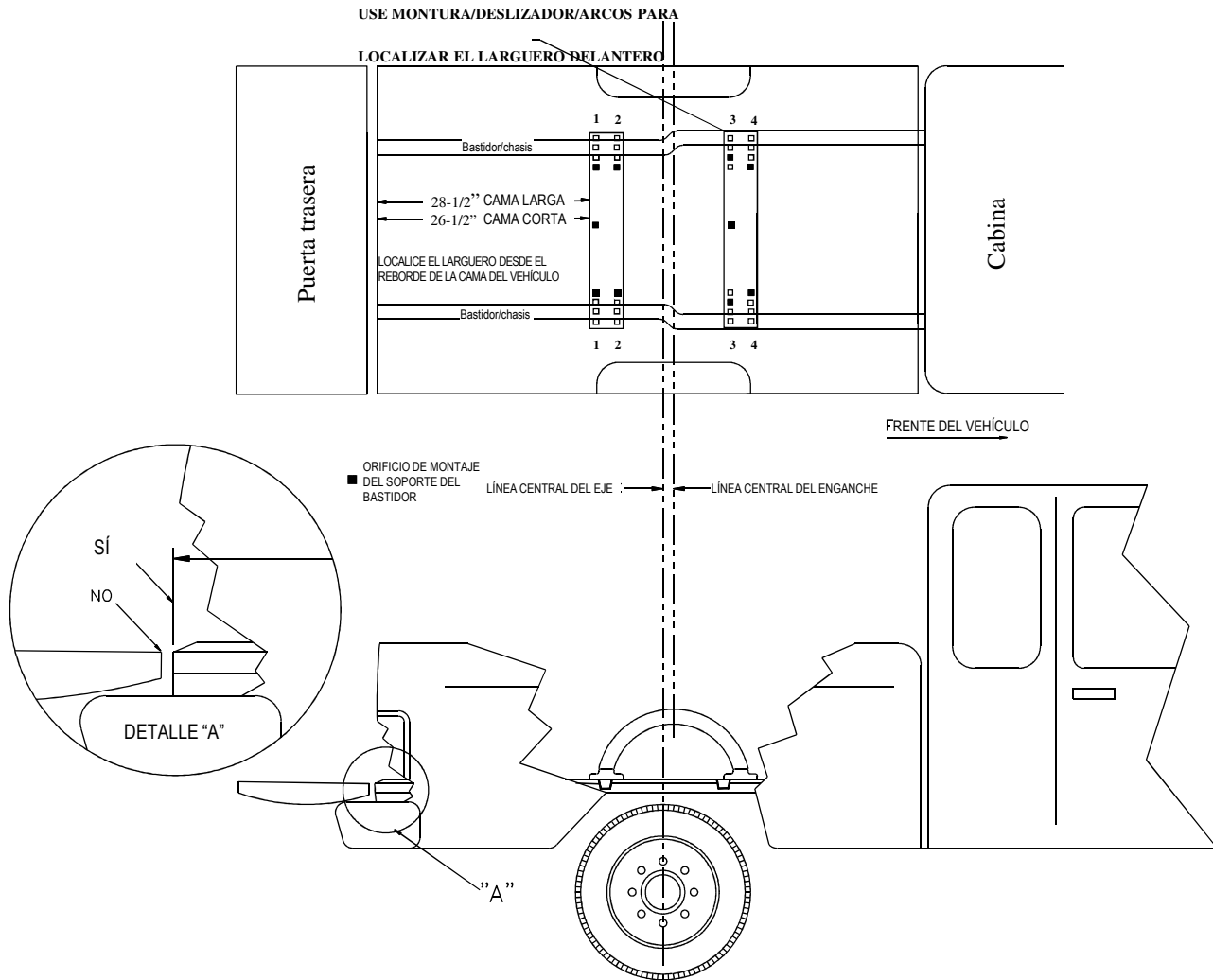
## KIT DE MONTAJE PARA INSTALACIÓN RÁPIDA A LA MEDIDA Ram 3500

**50085**

**Figura 2**

**Posicione el larguero**

**LARGUEROS 58058 O 30035 ÚNICAMENTE**



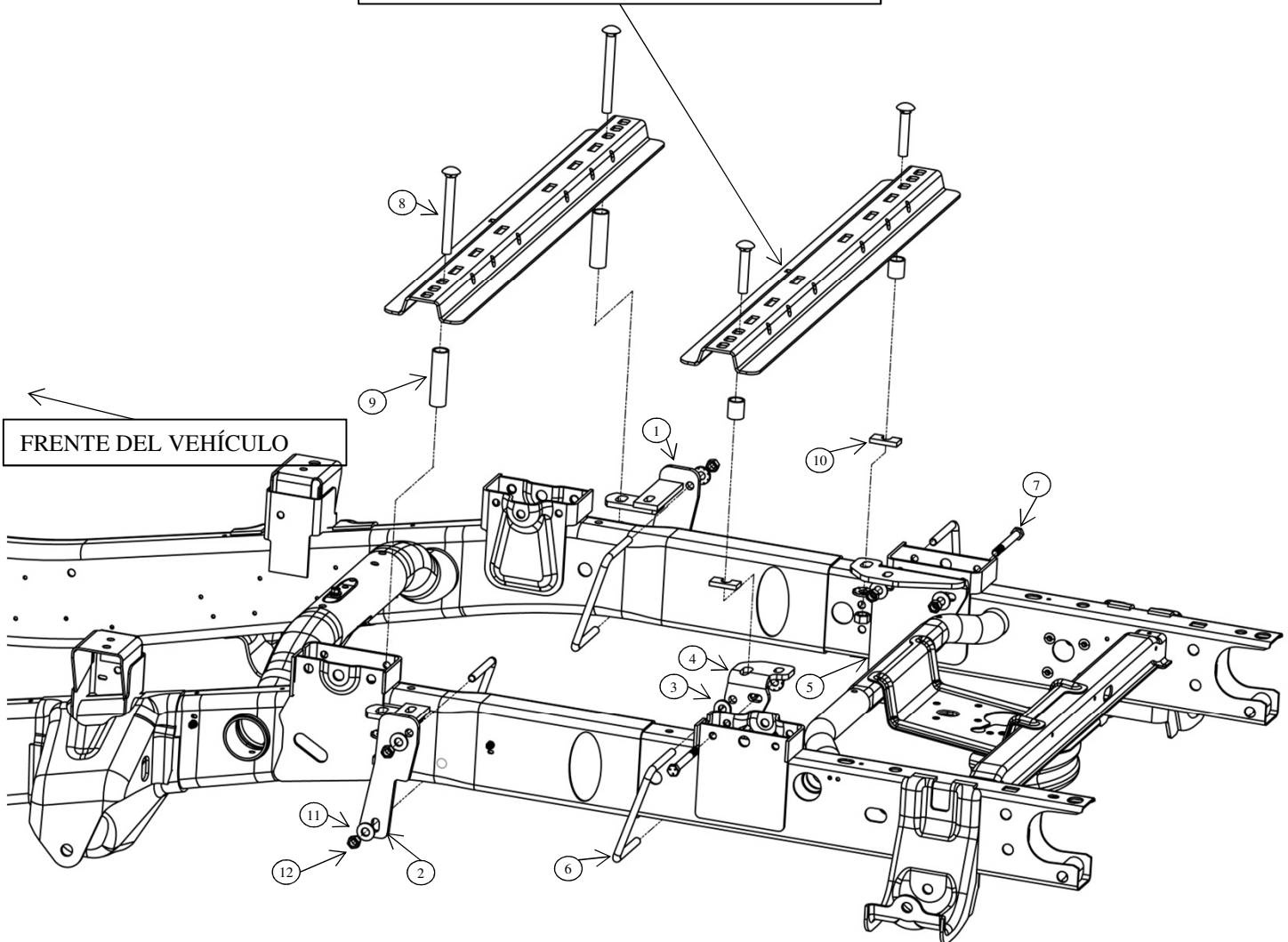
**PARA LARGUEROS 58058 O 30035 ÚNICAMENTE**

# SE MUESTRA LA INSTALACIÓN PARA LOS LARGUEROS 30124 O 30095

**Figura 3**

SE SUMINISTRAN LOS PERNOS CENTRALES Y PIEZAS  
CON ENGANCHES DE QUINTA RUEDA O DE CUELLO  
DE GANSO  
CALIFICADOS POR ENCIMA DE 18K

Todos los fijadores son iguales  
para todos los soportes



**Todos los fijadores que se indican vienen con este kit, todas las otras piezas mencionadas se suministran con el número de kit de largueros 30124.**

PIEZA	DESCRIPCIÓN	CANT.	PIEZA	DESCRIPCIÓN	CANT.
1	SOPORTE DELANTERO PASAJERO	1	7	PERNO, 1/2-13 X 5" GR 5	2
2	SOPORTE DELANTERO CONDUCTOR	1	8	PERNO CARRUAJE, 5/8-11 X 6" GR 5	2
3	PLACA ESPAC. TRASERO CONDUCTOR	1	9	ESPACIADOR DE TUBO, 4"	2
4	SOPORTE TRASERO CONDUCTOR	1	10	BLOQUE, .313" X 2" X 1"	2
5	SOPORTE TRASERO PASAJERO	1	11	ARANDALA CÓNICA, 1/2"	10
6	PERNO U, 1/2-13 x 4-3/8" GR 5	4	12	TUERCA HEX., 1/2-13 GR 5	10

**PARA LA INSTALACIÓN  
DE LOS KITS DE  
LARGUEROS  
30124 O 30095**

**Instrucciones de instalación  
KIT DE MONTAJE PARA  
INSTALACIÓN RÁPIDA A LA MEDIDA  
Ram 3500**

Números de partes:  
**50085**

1. No instale largueros de montaje sobre los forros plásticos de la cama. Los forros plásticos de la cama deben cortarse para permitir contacto de metal a metal. Los largueros de montaje se pueden instalar en forros aplicados con spray.
2. Use únicamente pernos, tuercas y arandelas suministrados para instalar este kit. Todos los pernos y tuercas son Grado 5 a menos que se especifique lo contrario.
3. Estas instrucciones son pautas únicamente, la instalación como tal es responsabilidad del instalador y del propietario. Siempre mida el vehículo y el remolque antes de instalar el enganche para verificar que haya espacio en la cabina y en el parachoques para permitir los giros.
4. Baje y retire la llanta de repuesto si es necesario el espacio adicional. Si es necesario, quite el forro plástico del receptáculo de la rueda y separe los soportes del escape para permitir el acceso al bastidor.
5. Desprenda los clips que sujetan el cableado eléctrico y las líneas del freno con el interior del bastidor en el lado del conductor.
6. Coloque el larguero de montaje posterior en la caja del vehículo, usando la cinta de medir, centre el larguero entre las costuras de soldar a lo largo del piso de la caja del vehículo y la distancia correcta desde el borde posterior de la caja del vehículo como se ilustra en la Figura 4.  
**Nota:** Es esencial que el larguero quede centrado de lado a lado en la cama del vehículo.
7. Marque y perfore los orificios según la ilustración en la Figura 4. Retire el larguero y perfore cada posición con una broca de 1/8".
8. Coloque temporalmente los soportes del bastidor en el bastidor y revise que los orificios perforados de 1/8" se alineen con las ranuras en el soporte del bastidor (Ver Figura 1). Retire los soportes del bastidor del vehículo.
9. Incremente los orificios perforados de 1/8" a 1 1/8" **en 2 lugares para espacios tubo (9)**.  
**Nota:** Solo use la sierra de copa para cortar a través de la cama y no el soporte de la cama. **Incremente las otras 1/8 "agujeros a 11/16". Pintar todo el metal desnudo.**
7. Sin apretar instale los soportes del bastidor y la placa espaciadora (frente (1)(2) y atrás (3)(4)(5)) instalando los pernos en U (6), las arandelas cónicas (11) y las tuercas hexagonales (12). (Ver Figura 3) **(Nota: Cerciórese de que los cables y líneas de freno no estén entre los soportes/perno en U y bastidor.)**
8. Mueva el larguero de montaje trasero a su posición. Instale los pernos de carruaje de 5/8"-11 x 3" que se suministran con el espaciador de tubo junto con el espaciador en bloque que se ubicará en el corrugado entre la caja y el larguero de montaje o entre la caja y los soportes traseros (4) (5), a través del larguero y los soportes traseros (4) (5). **(Observe que el espaciador en bloque es para eliminar el corrugado abultado de la cama.)** Instale las arandelas cónicas de 5/8" y la tuerca en la parte inferior de los soportes según las ilustraciones y apriete con firmeza para impedir que el larguero de montaje se mueva.
9. Coloque el soporte de 5ta rueda/arcos/deslizador/ganso sin instalar dentro del larguero de montaje ya instalado. Coloque el larguero de montaje delantero con los arcos/deslizador/ganso de soporte insertando las lengüetas dentro del larguero de montaje y empujando el larguero de montaje firmemente hacia el otro larguero de montaje. Verifique que el larguero de montaje esté centrado en la base del vehículo. Esto posicionará el larguero en la ubicación correcta y asegurará que la 5<sup>ta</sup> rueda quede ajustada en el vehículo. **Nota:** Si se va a usar más de un producto de enganche con los largueros de montaje entonces se deben usar ambos tipos al mismo tiempo para alinear el larguero de montaje trasero. Esto asegurará que un producto no comprometa el ajuste del otro.
10. Repita los pasos 8 a 10.
11. Mueva el larguero de montaje a su posición. Instale los pernos de carruaje de 5/8-11 x 6" (8) con el tubo espaciador a través de los rieles y dentro de los soportes delanteros (1) (2). Instale las arandelas cónicas de 5/8" y la tuerca en la parte inferior de los soportes según las ilustraciones y apriete de forma ajustada para impedir que el riel de montaje se mueva.
12. Después de instalar completamente los soportes montaje 50085 a la medida, apriete los fijadores en la siguiente secuencia. **Nota: Apriete todas las piezas de 5/8" a 150 pies-lbs. (204 N\*M) y todas las piezas de 1/2" a 75 pies-lbs. (102 N\*M). Primero apriete los largueros de montaje en los soportes del bastidor y luego apriete los soportes del bastidor al bastidor del vehículo.**
13. Vuelva a colocar el cableado eléctrico y los cables del freno en el bastidor. Use el amarre de cables que se suministra. si es necesario. Vuelva a colocar los soportes del escape. Si se quitaron, vuelva a instalar la llanta de repuesto y el forro plástico interior del receptáculo de la rueda.

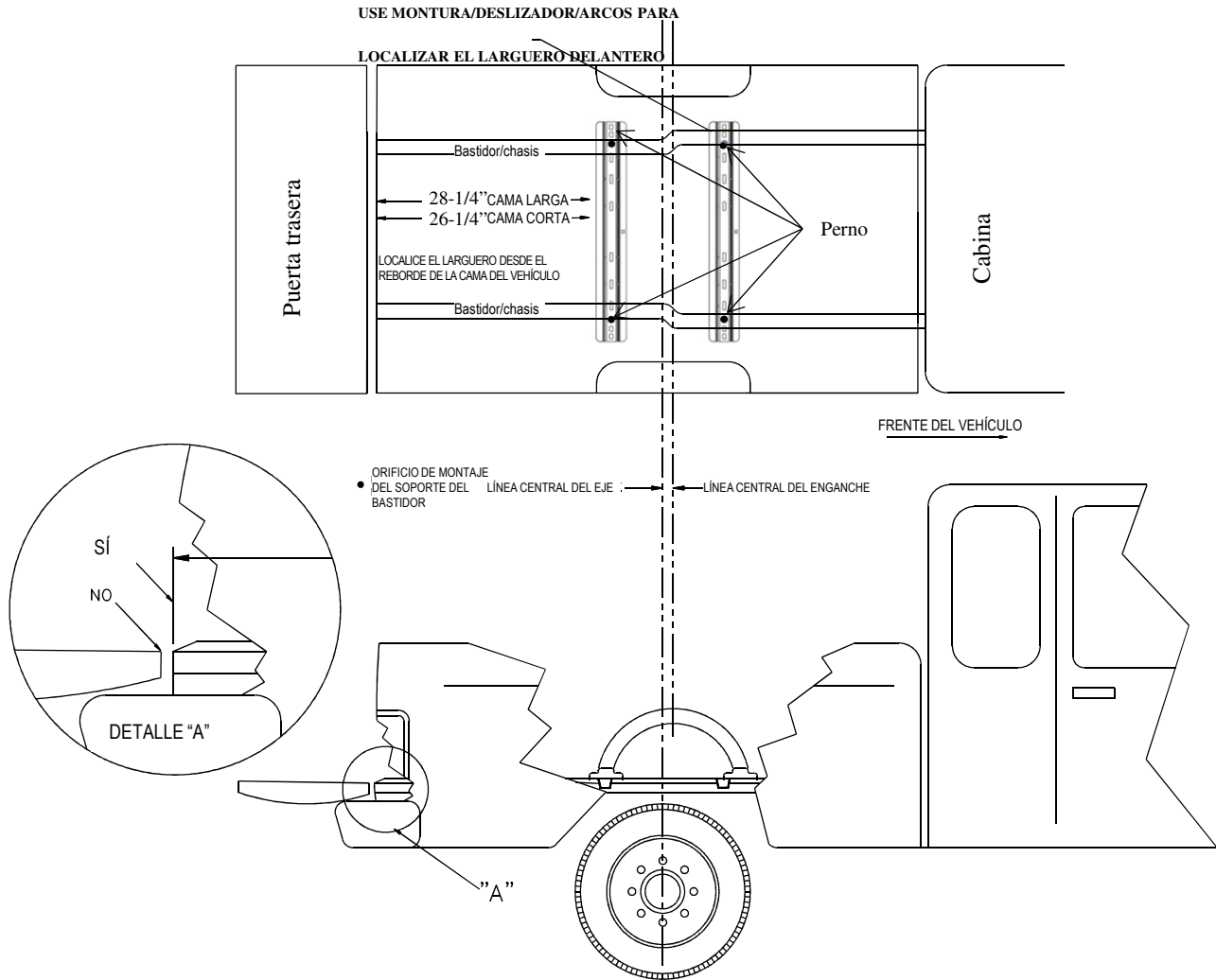
**Instrucciones de instalación**  
**KIT DE MONTAJE PARA**  
**INSTALACIÓN RÁPIDA A LA MEDIDA**  
**Ram 3500**

Números de partes:  
**50085**

**Figura 4**

**Posicione el larguero**

**LARGUEROS 30095 O 30124 ÚNICAMENTE**



**PARA LARGUEROS 30124 O 30095 ÚNICAMENTE**

# PAGE DE COUVERTURE

RAM 3500

NÉCESSAIRE DE MONTAGE RAPIDE

SUR MESURE 50085

30035/58058, Pages 1-3

30095/30124, Pages 4-6

## REMARQUE!

Avant d'installer le produit, veuillez visiter un de nos sites Web pour vous assurer que votre ensemble contient la plus récente version des instructions d'installation et vérifier l'application qui convient à votre véhicule.

***[www.ReeseProducts.com](http://www.ReeseProducts.com)***

# Instructions d'installation

## NÉCESSAIRE DE MONTAGE RAPIDE SUR MESURE

Numéro de pièce :  
**50085**

Ram 3500

**INSTALLATION ILLUSTRÉE POUR LES TRAVERSES DE MONTAGE 58058 OU 30035**

**Équipement requis :**

Visserie : 50085F

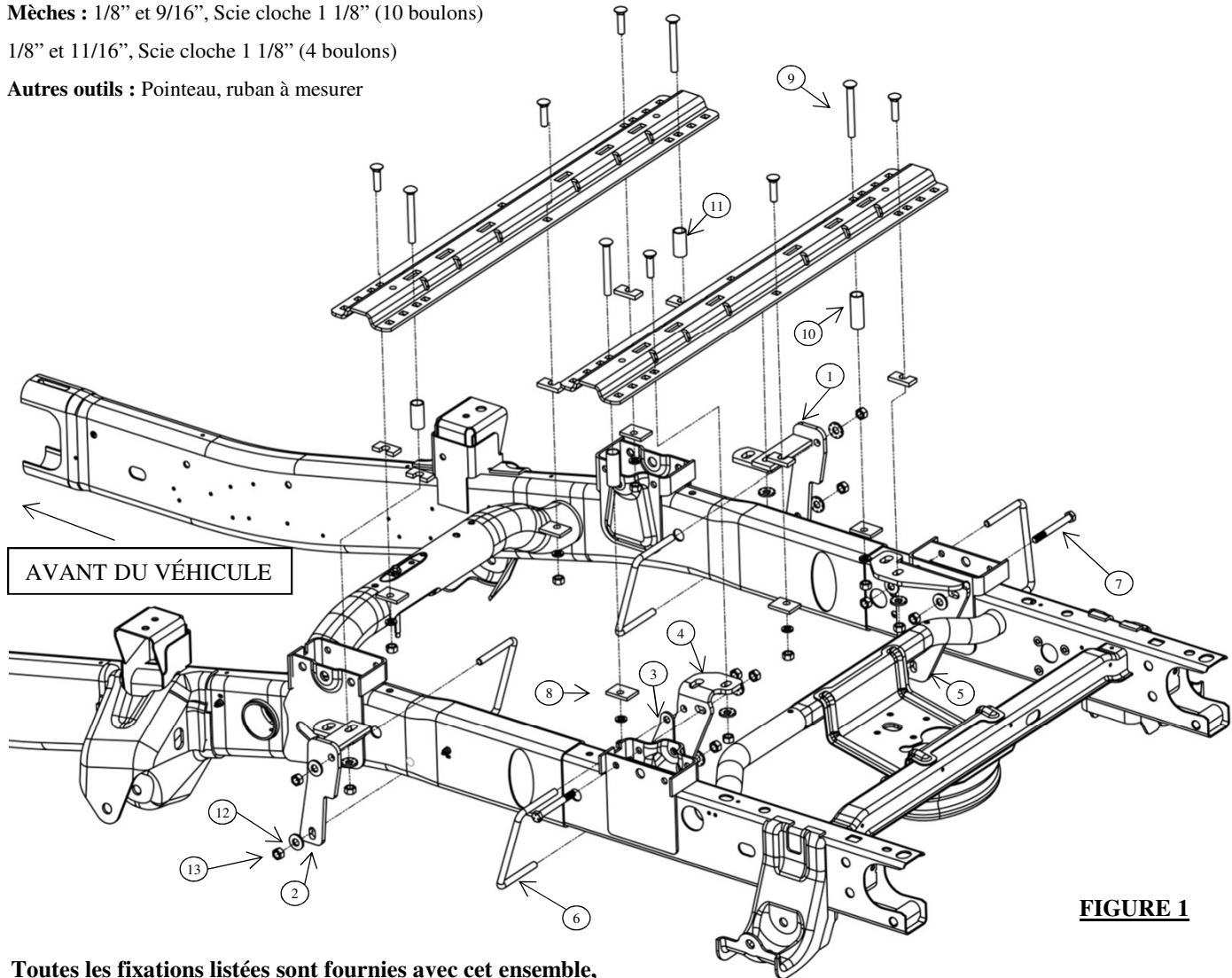
Clés : 3/4", 15/16"

Mèches : 1/8" et 9/16", Scie cloche 1 1/8" (10 boulons)

1/8" et 11/16", Scie cloche 1 1/8" (4 boulons)

Autres outils : Pointeau, ruban à mesurer

**AVERTISSEMENT :** En aucun cas nous ne recommandons de dépasser la capacité de charge indiquée par le fabricant du véhicule de remorquage.



**FIGURE 1**

**Toutes les fixations listées sont fournies avec cet ensemble, toutes les autres fixations mentionnées sont fournies avec l'ensemble de traverses de montage 58058.**

ART.	DESCRIPTION	QUANTITÉ	ART.	DESCRIPTION	QUANTITÉ
1	SUPPORT AVANT PASSAGER	1	8	BLOC .25 X 1.5 X 2"	6
2	SUPPORT AVANT CONDUCTEUR	1	9	BOULON CARR. 1/2-13 X 4 1/2" GR5	4
3	PLAQUE ESPAC. AVANT CONDUC.	1	10	ESPACEUR TUBUL. 2 3/4"	2
4	SUPPORT ARRIÈRE CONDUCTEUR	1	11	ESPACEUR TUBULAIRE 2"	2
5	SUPPORT ARRIÈRE PASSAGER	1	12	RONDELLE CONIQUE 1/2"	10
6	BOULON EN U 1/2-13 X 4 3/8 GR5	4	13	ÉCROU HEX. 1/2-13 GR5	10
7	BOULON 1/2-13 X 5 GR5	2			



## Ram 3500

1. N'installez pas les traverses sur la doublure de caisse en plastique. La doublure de caisse en plastique doit être découpée pour permettre le contact métal à métal. Les traverses peuvent être installées sur une doublure pulvérisée en place.
2. Utilisez seulement les boulons, les écrous et les rondelles fournis pour installer ce produit. Tous les boulons et les écrous sont de grade 5 sauf indication contraire.
3. Ces instructions sont données à titre indicatif, l'installation demeure la responsabilité de l'installateur et du propriétaire. Mesurez toujours la camionnette et la remorque avant d'installer l'attelage pour vous assurer que le dégagement à la cabine et au pare-chocs est suffisant pour permettre les virages.
4. Abaisser et enlever le pneu de secours si de l'espace supplémentaire est requis. Si nécessaire, enlever la doublure de passage de roue intérieure en plastique et détacher les supports d'échappement pour permettre l'accès au cadre.
5. Détacher les attaches qui fixent le tube flexible du filage électrique et les conduites de frein depuis l'intérieur du cadre côté conducteur.
6. Placer la traverse de montage arrière dans la caisse de la camionnette et, à l'aide d'un ruban à mesurer, centrer la traverse entre les joints de soudure sur la longueur du plancher de caisse et mesurer la distance adéquate à partir du bord arrière de caisse, comme illustré à la Figure 2.  
**Nota :** Il est très important que la traverse soit centrée latéralement (par rapport aux côtés) sur la plateforme de la camionnette.
7. Marquer l'emplacement des trous à l'aide d'un pointeau, comme illustré à la Figure 2 (rangées 1 et 2). Enlever la traverse et percer chaque emplacement à l'aide d'une mèche 1/8".
8. Placer temporairement les supports de cadre sur le cadre et vérifier que les trous percés de 1/8 po s'alignent sur les fentes du support de cadre (voir Figure 1). Retirer les supports de cadre du véhicule.
9. Agrandir les trous percés de 1/8 po à 9/16 po **si aucun tube entretoise sont utilisés là.**
10. Utiliser une scie-cloche 1 1/8 po pour agrandir les trous dans la plateforme pour les espaceurs tubulaires (10)(11) dans les rangées 2 et 3.  
**Nota :** Utiliser la scie-cloche seulement pour percer la plateforme et non le support de plateforme. **Agrandir 1/8 à 9/16 trous dans le fond du support de lit.** Les espaceurs tubulaires de la rangée 2 doivent s'aligner sur le centre du support de plateforme pour le montage. **Peindre tout métal à nu.**
11. Fixer sans trop serrer les supports de cadre et la plaque d'espacement (avant (1)(2) et arrière (3)(4)(5)) au moyen de boulons en U (6), de rondelles coniques (12) et d'écrous hexagonaux (13) (voir Figure 1). (**Nota : S'assurer qu'aucun câble ni conduite de frein ne se trouve entre les supports/boulon en U et le cadre.**)
12. Placer la traverse de montage arrière en position. Poser les boulons de carrosserie 1/2-13 x 2 po (fournis avec les traverses) et les blocs espaceurs (à placer dans les cannelures) entre la caisse et la traverse de montage, ou entre la caisse et les supports arrière (4) (5), à travers la traverse et les supports arrière (4) (5). (**Noter que le bloc espaceur sert à éviter l'écrasement des ondulations de la plateforme.**) Poser le bloc .25 x 1.5 x 2 po (8), les rondelles coniques 1/2 po et l'écrou 1/2 po sur le dessous des supports selon les illustrations et serrer suffisamment pour empêcher la traverse de montage de bouger. (Pour rangée 1)
13. Les boulons de carrosserie du côté avant de la traverse arrière (rangée 2) et le centre de la traverse de la rangée 1 vont se poser directement à travers la plateforme/le support de plateforme. Poser les boulons de carrosserie 1/2 po avec bloc .25 x 1.5 x 2 po (8), rondelle frein 1/2 po, et écrou hexagonal 1/2 - 13 sous la plateforme/le support de plateforme.
14. Placer l'attelage non assemblé (socle de sellette, curseur ou col de cygne) dans le rail déjà monté. Positionner la traverse avant et l'attelage (socle de sellette, curseur ou col de cygne) en insérant les languettes dans la traverse, puis en poussant cette dernière à fond vers l'autre traverse. S'assurer que la traverse est centrée entre les joints de soudure sur la longueur du plancher de la camionnette. La traverse sera ainsi à la position appropriée et la sellette sera bien ajustée à la camionnette. **NOTA :** Si plus d'un attelage doit être posé sur les traverses, alors les deux doivent être utilisés en même temps pour aligner la seconde traverse. De cette façon, un attelage ne gênera pas l'ajustement de l'autre.
15. Répétez les étapes 8 à 10.
16. Placer la traverse de montage en position. Poser les boulons de carrosserie 1/2-13 x 2 po avec le bloc espaceur à placer dans les ondulations entre la caisse et la traverse de montage, ou entre la caisse et les supports avant (1) (2). (**Noter que le bloc espaceur sert à éviter l'écrasement des ondulations de la plateforme.**) L'extrémité arrière des supports avant (Rangée 3) sera fixée à l'aide du bloc .25 x 1.5 x 2 po (8), des rondelles freins 1/2 po et de l'écrou hexagonal 1/2 po comme décrit à l'étape 12 et illustré à la Figure 1. Fixer le côté avant des supports avant (Rangée 4) à l'aide des espaceurs, des rondelles et des écrous selon les illustrations et serrer suffisamment pour empêcher la traverse de montage de bouger.
17. Après avoir entièrement posé les supports de montage sur mesure 50085, serrer la visserie selon la séquence suivante. **Nota :** **Serrer toute la visserie 1/2 po au couple de 75 lb-pi (102 N.m). Serrer d'abord les traverses contre les supports de cadre, puis serrer les supports de cadre contre le cadre de la camionnette.**
18. Refixer la tubulure de fils électriques et les conduites de freins sur le cadre. Utiliser l'attache de câble fournie, si nécessaire. Refixer les supports d'échappement. Réinstaller le pneu de secours et la doublure de passage de roue en plastique s'ils ont été enlevés.

# Instructions d'installation

Numéro de pièce :

## NÉCESSAIRE DE MONTAGE RAPIDE SUR MESURE

**50085**

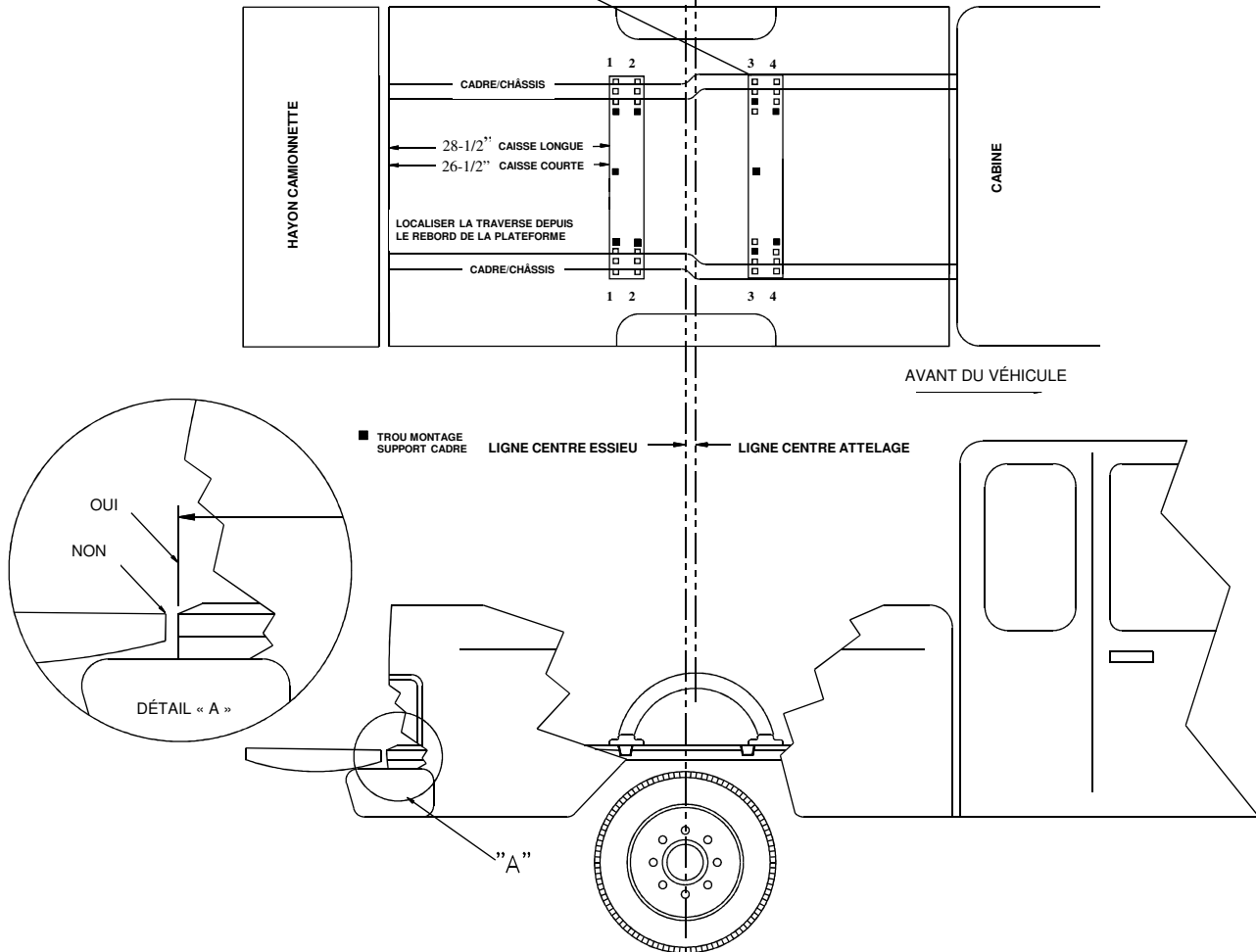
Ram 3500

**Figure 2**

**Mettre la traverse en place**

### **TRAVERSES DE MONTAGE 58058 OU 30035 SEULEMENT**

Utiliser des socles de sellette/ curseur/ col de cygne pour placer la traverse de montage avant.



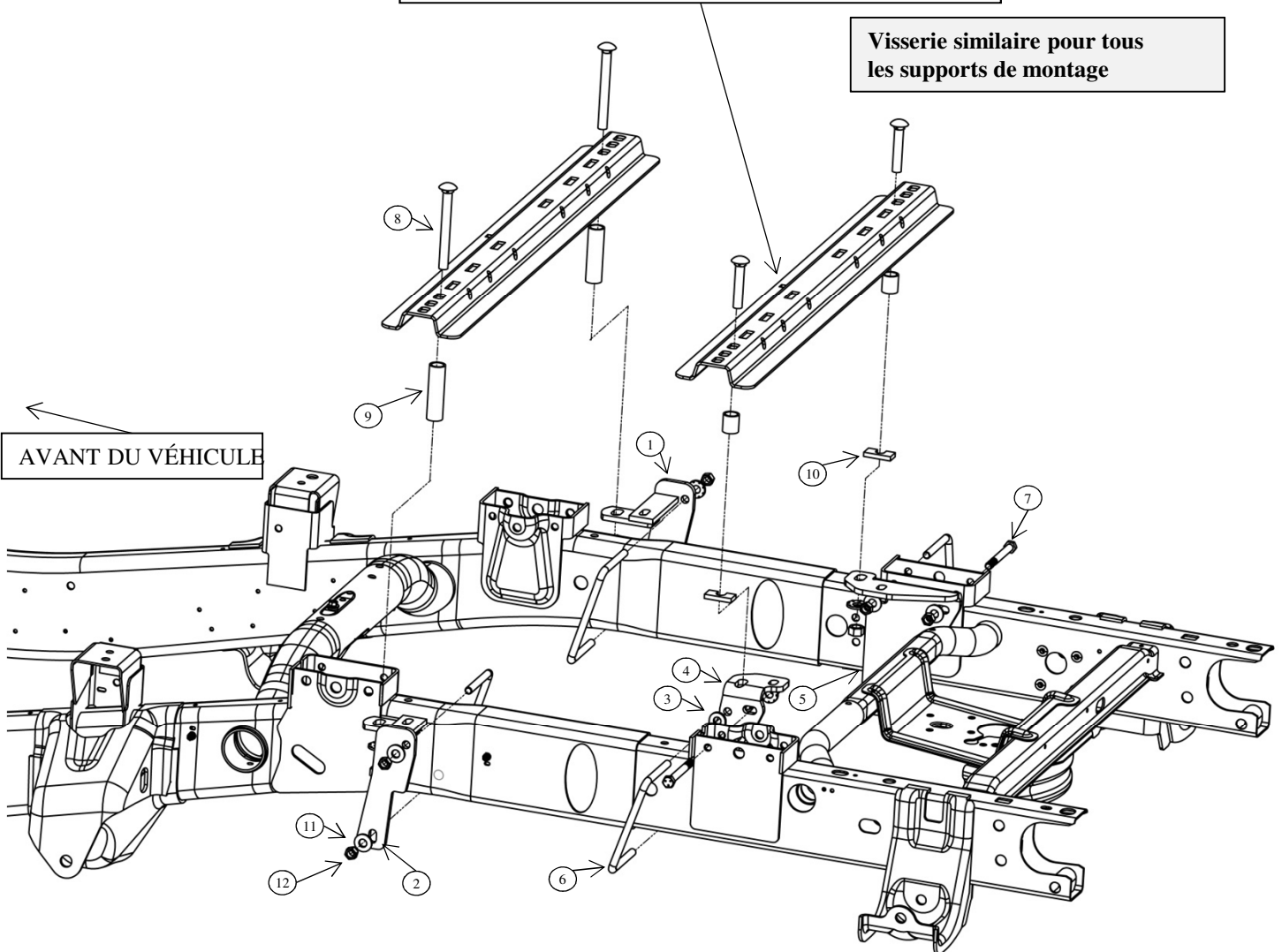
## **POUR TRAVERSES DE MONTAGE 58058 OU 30035 SEULEMENT**

# INSTALLATION ILLUSTRÉE POUR LES TRAVERSES DE MONTAGE 30124 OU 30095

**Figure 3**

LES BOULONS ET LA VISSERIE DU CENTRE SONT FOURNIS AVEC LES ATTELAGES À SELLETTE OU À COL-DE-CYGNE DONT LA CAPACITÉ EST SUPÉRIEURE À 18K.

Visserie similaire pour tous les supports de montage



**Toutes les fixations listées sont fournies avec cet ensemble, toutes les autres fixations mentionnées sont fournies avec l'ensemble de traverses de montage 30124.**

ART.	DESCRIPTION	QUANTITÉ	ART.	DESCRIPTION	QUANTITÉ
1	SUPPORT AVANT PASSAGER	1	7	BOULON ½-13 X 5" GR5	2
2	SUPPORT AVANT CONDUCTEUR	1	8	BOULON CARR. 5/8-11 X 6" GR5	2
3	PLAQUE ESPAC. ARR. CONDUCTEUR	1	9	ESPACIADOR DE TUBO, 4"ESPACEUR TU	2
4	SUPPORT ARRIÈRE CONDUCTEUR	1	10	BLOC .313 X 2 X 1	2
5	SUPPORT ARRIÈRE PASSAGER	1	11	RONDELLE CONIQUE ½"	10
6	BOULON EN U ½-13 X 4 3/8 GR5	4	12	ÉCROU HEX. ½-13 GR5	10

**POUR INSTALLATION  
DES TRAVERSES DE  
MONTAGE  
30124 OU 30095**

**Instructions d'installation  
NÉCESSAIRE DE MONTAGE  
RAPIDE SUR MESURE**

Numéro de pièce :  
**50085**

**Ram 3500**

1. N'installez pas les traverses sur la doublure de caisse en plastique. La doublure de caisse en plastique doit être découpée pour permettre le contact métal à métal. Les traverses peuvent être installées sur une doublure pulvérisée en place.
2. Utilisez seulement les boulons, les écrous et les rondelles fournis pour installer ce produit. Tous les boulons et les écrous sont de grade 5 sauf indication contraire.
3. Ces instructions sont données à titre indicatif, l'installation demeure la responsabilité de l'installateur et du propriétaire. Mesurez toujours la camionnette et la remorque avant d'installer l'attelage pour vous assurer que le dégagement à la cabine et au pare-chocs est suffisant pour permettre les virages.
4. Abaisser et enlever le pneu de secours si de l'espace supplémentaire est requis. Si nécessaire, enlever la doublure de passage de roue intérieure en plastique et détacher les supports d'échappement pour permettre l'accès au cadre.
5. Détacher les attaches qui fixent le tube flexible du filage électrique et les conduites de frein depuis l'intérieur du cadre côté conducteur.
6. Placer la traverse de montage arrière dans la caisse de la camionnette et, à l'aide d'un ruban à mesurer, centrer la traverse entre les joints de soudure sur la longueur du plancher de caisse et mesurer la distance adéquate à partir du bord arrière de caisse, comme illustré à la Figure 4.  
**Nota :** Il est très important que la traverse soit centrée latéralement (par rapport aux côtés) sur la plateforme de la camionnette.
7. Marquer l'emplacement des trous à l'aide d'un pointeau, comme illustré à la Figure 4. Enlever la traverse et percer chaque emplacement à l'aide d'une mèche 1/8.
8. Placer temporairement les supports de cadre sur le cadre et vérifier que les trous percés de 1/8 po s'alignent sur les fentes du support de cadre (voir Figure 1). Retirer les supports de cadre du véhicule.
9. Agrandir les trous percés de 1/8 po à 1 1/8 po **dans deux endroits pour les espaces de tube (9)**.  
**Nota :** Utiliser la scie-cloche seulement pour percer la plateforme et non le support de plateforme. **Agrandir les autres 1/8 "trous à 11/16". Peindre tout métal nu.**
10. Fixer sans trop serrer les supports de cadre et la plaque d'espacement (avant (1)(2) et arrière (3)(4)(5)) au moyen de boulons en U (6), de rondelles coniques (12) et d'écrous hexagonaux (13). (Voir Figure 3). **(Nota : S'assurer qu'aucun câble ni conduite de frein ne se trouve entre les supports/boulon en U et le cadre.)**
11. Placer la traverse de montage arrière en position. Poser les boulons de carrosserie 5/8-11 x 3 po (fournis avec l'espaceur tubulaire) et le bloc espaceur (à placer dans les cannelures) entre la caisse et la traverse de montage, ou entre la caisse et les supports arrière (4) (5), à travers la traverse et les supports arrière (4) (5). **(Noter que le bloc espaceur sert à éviter l'écrasement des ondulations du plancher.)** Fixer les rondelles coniques 5/8 po et l'écrou 5/8 po sur le dessous des supports d'après les illustrations et serrer suffisamment pour empêcher la traverse de bouger.
12. Placer l'attelage non assemblé (arches de support de sellette, curseur ou col de cygne) dans la traverse de montage déjà posée. Placer la traverse de montage avant avec l'attelage (arches de support, curseur ou col de cygne) en insérant les languettes dans la traverse, puis en poussant cette dernière à fond vers l'autre traverse. S'assurer que la traverse est centrée sur la plateforme du véhicule. La traverse sera ainsi à la position appropriée et la sellette sera bien ajustée à la camionnette. **Nota :** Si plus d'un attelage doit être posé sur les traverses, alors les deux doivent être utilisés en même temps pour aligner la traverse arrière. De cette façon, un attelage ne gênera pas l'ajustement de l'autre.
13. Répétez les étapes 8 à 10.
14. Placer la traverse de montage en position. Poser les boulons de carrosserie 5/8-11 x 6 po (8) avec l'espaceur tubulaire 4 po à travers les traverses puis dans les supports avant (1) (2). Fixer les rondelles coniques 5/8 po et l'écrou 5/8 po sur le dessous des supports d'après les illustrations et serrer suffisamment pour empêcher la traverse de bouger.
15. Après avoir entièrement posé les supports de montage sur mesure 50085, serrer la visserie selon la séquence suivante. **Nota :** **Serrer toute la visserie 5/8 po au couple de 150 lb-pi (204 N.m) et toute la visserie 1/2 po au couple de 75 lb-pi (102 N.m). Serrer d'abord les traverses contre les supports de cadre, puis serrer les supports de cadre contre le cadre de la camionnette.**
16. Refixer la tubulure de fils électriques et les conduites de freins sur le cadre. Utiliser l'attache de câble fournie, si nécessaire. Refixer les supports d'échappement. Réinstaller le pneu de secours et la doublure de passage de roue en plastique s'ils ont été enlevés.

**Instructions d'installation**  
**NÉCESSAIRE DE MONTAGE**  
**RAPIDE SUR MESURE**

Numéro de pièce :  
**50085**

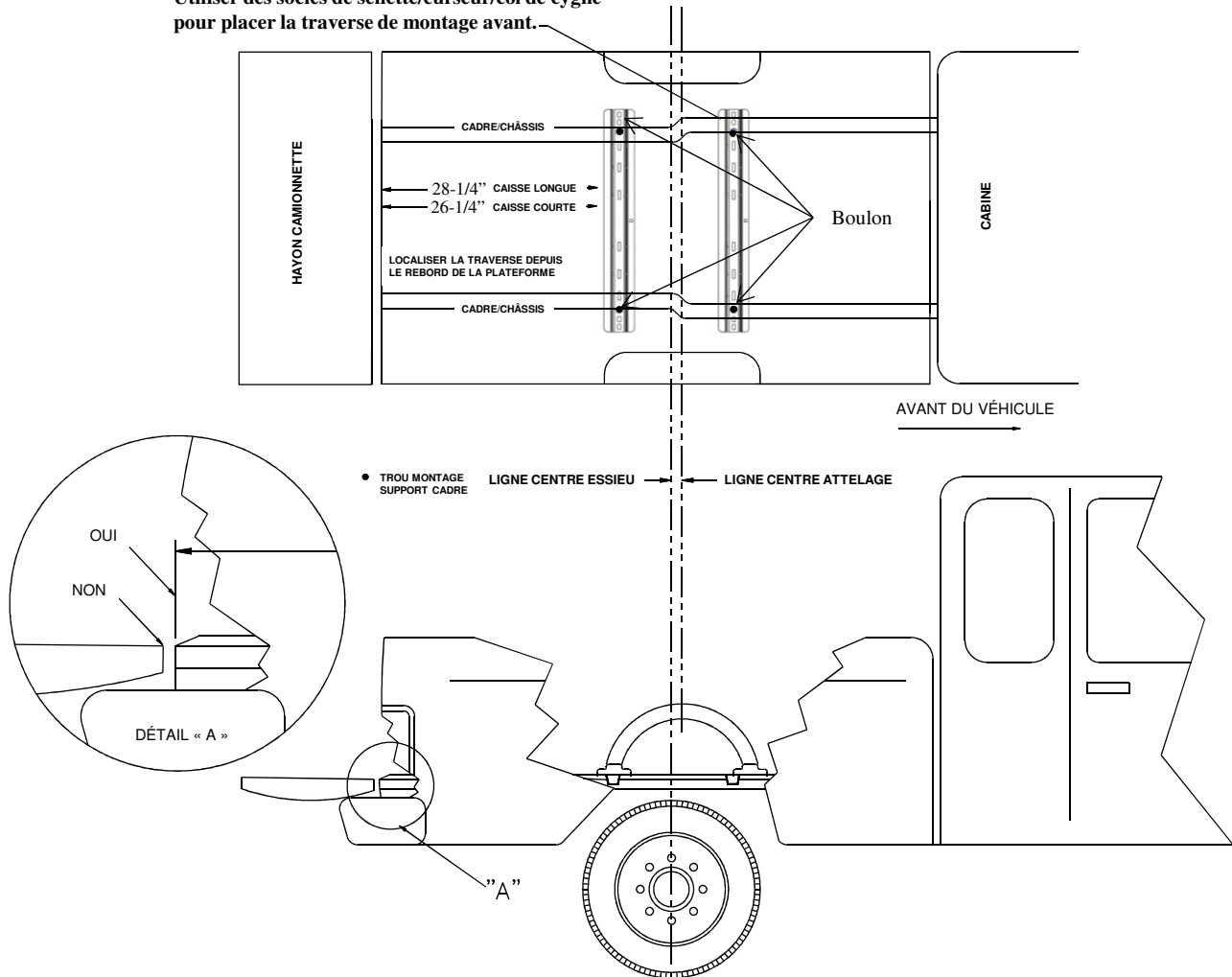
Ram 3500

**Figure 4**

**Mettre la traverse en place**

**TRAVERSES DE MONTAGE 30095 OU 30124 SEULEMENT**

Utiliser des socles de sellette/curseur/col de cygne pour placer la traverse de montage avant.



**POUR TRAVERSES DE MONTAGE**  
**30124 OU 30095 SEULEMENT**