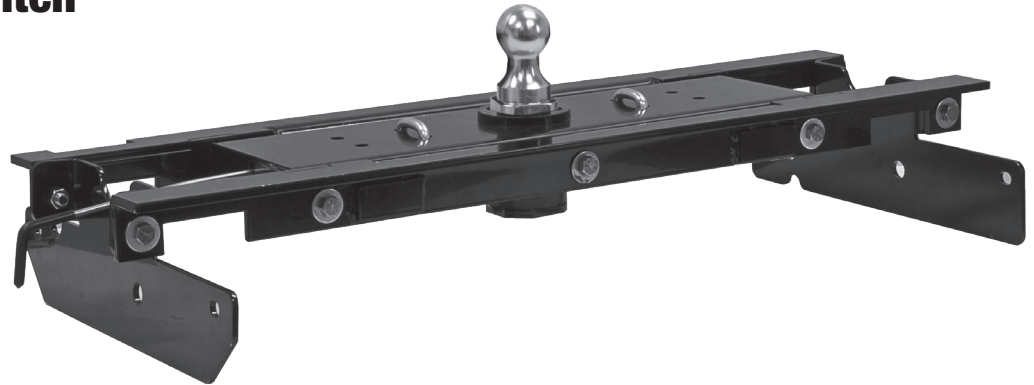


# Installation Instructions

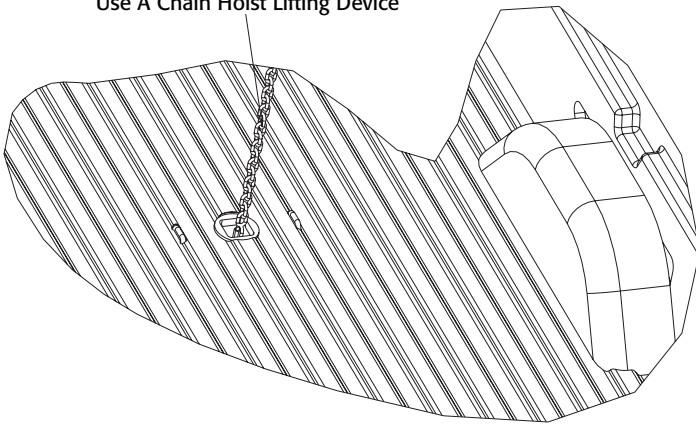
## 5613102 GooseneckFlip Ball Hitch

GM - 2016+ 3/4 & 1 Ton,  
Short & Long Bed



To simplify the installation process, an Overhead Lifting Device is necessary to lift the center section into the appropriate location.

Use A Chain Hoist Lifting Device



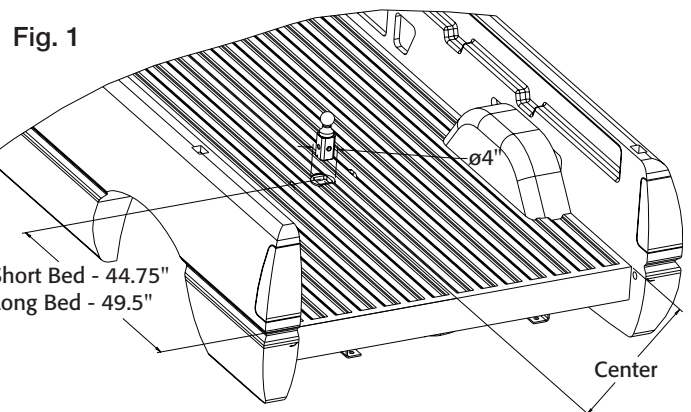
**1.** Remove Spare tire off the truck temporarily. Remove the heat shield directly above the exhaust in the area between the two bed cross members just above the exhaust. Also, trucks with plastic covers in the rear wheel wells that conceal the frame, must be removed.

**2.** For short bed truck, measure from the back of the truck bed 44.75" from the end of the bed. For Long bed 49.5" (fig. 1)

**A.** Measure the center of the truck bed in the middle of the truck.

**B.** Mark the spot at the intersection of the two measurements.

**C.** Make a hole using a 4" Bore hole saw. If you have a drop in Bed liner, it is necessary to bore through both.



### **⚠ WARNING**

Fuel lines, brake lines, and electrical wires are located along the frame of the truck. When positioning the gooseneck flip ball hitch, care must be taken to avoid damaging these components.

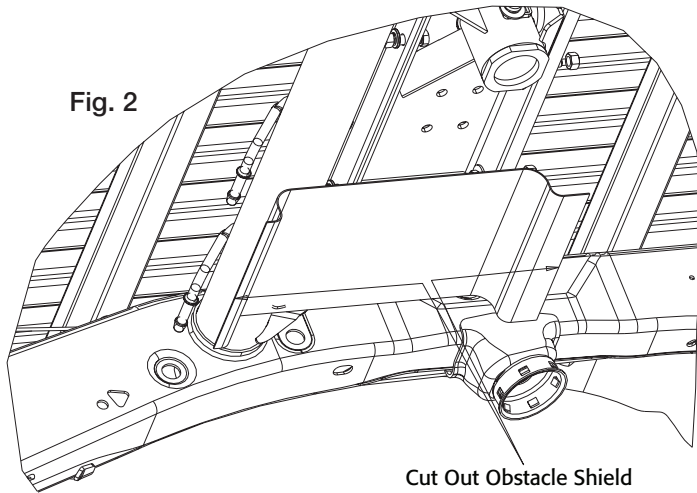
### **⚠ WARNING**

Before installing the gooseneck flip ball hitch, check for adequate turning clearance of the front of your trailer and the truck cab

### **⚠ WARNING**

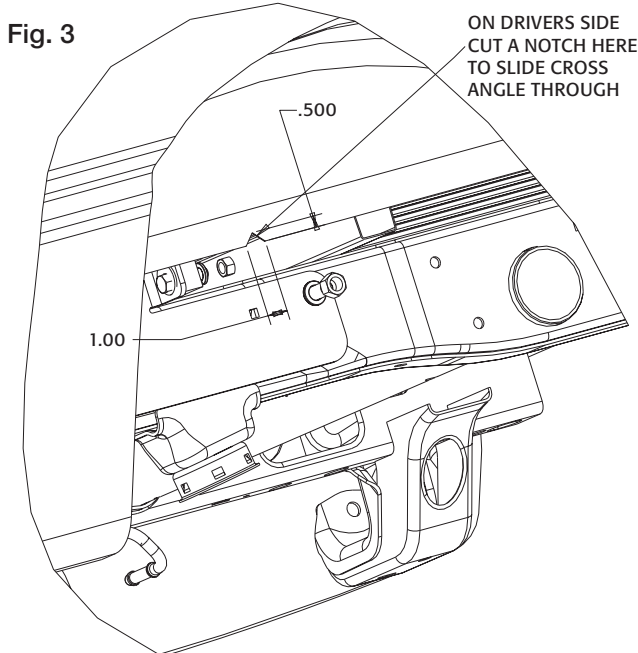
On 2WD trucks, remove the ball from the socket when carrying heavy loads. Under load, the ball may contact the differential, causing damage.

**3.** Remove the heat shield located above the rear axle under the truck bed.(fig. 2)



**4.** Exhaust bracket needs to be lowered for diesel engine truck. Detach the tail pipe bracket just behind the rear tire on the passenger side. Relocate the bracket with new bracket later. You do not need to relocate gas engine.

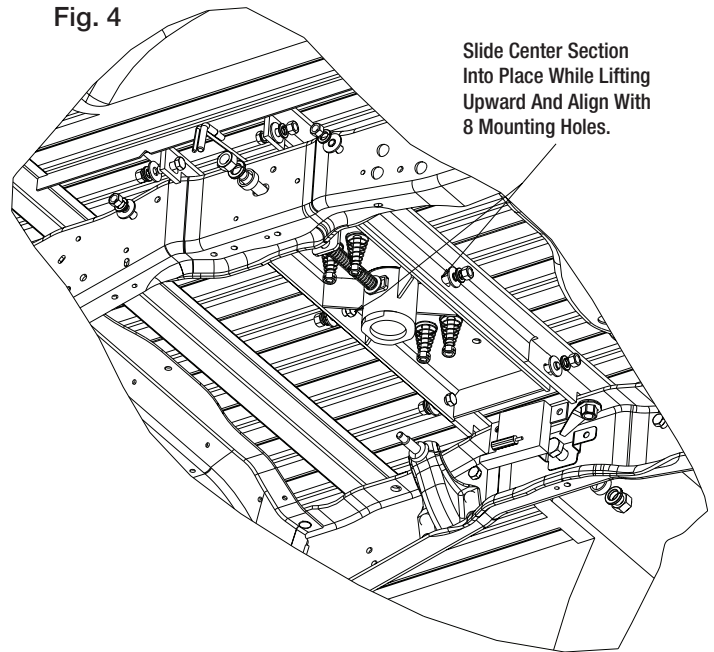
**5.** Your vehicle bed-flange will need to be notched in order to slide the cross member angle through the truck bed (fig. 3).



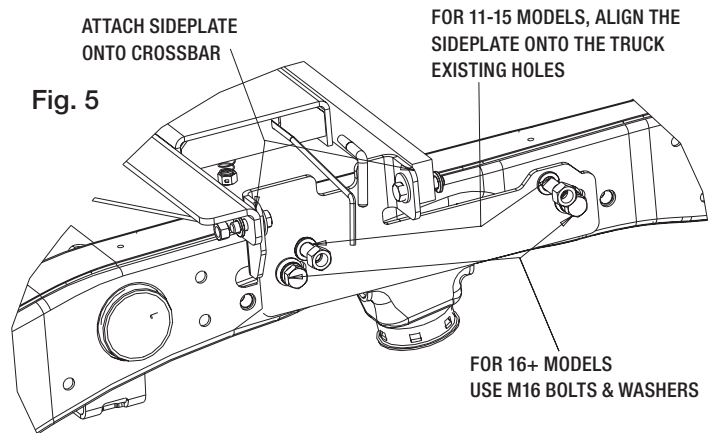
**6.** Slide the Front Cross angle through the truck between the frames and the truck bed. Make sure the mounting holes are facing the rear of the truck. Roll the bracket upright and slide it toward the 4" holes drilled earlier leaving about 4" space for the center section to lift into place.

**7.** Repeat for the Rear Cross Bar of the truck, with the mounting holes facing the front of the truck. Leave about 8" total clearance between the two cross angles to accommodate for the center section.

**8.** Install the Center Section between the two cross parts just installed. Trucks with gasoline engines must detach fuel vent line bracket on the driver side frame. Once the installation is completed, replace the vent line bracket into position. The latch pin slot must be located on the driver side of the truck. (fig. 4).



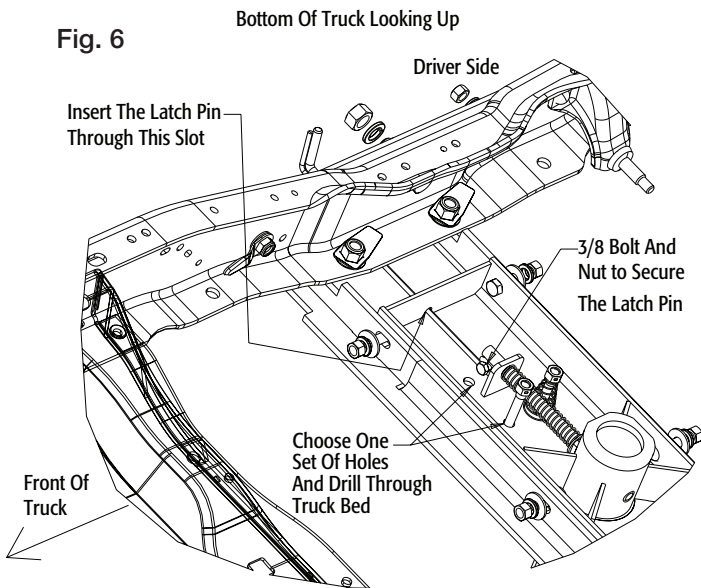
**9.** Install the sideplates on the outside of the frame using the 5/8" fasteners provided. Insert the bolt-sticks through the large holes nearby. It may be helpful to hold the stick-handle while tighten slowly. Cut the extra length as needed. For 2016+ models, use the M16 bolts & lock washers. Secure the sideplates to the cross bars with the 1/2" fasteners (fig. 5).



**10.** Repeat the sideplate installation on the passenger side. Tighten both driver & passenger sideplates to 80 ft-lb for 1/2" bolts and 60 ft-lb 5/8 bolts.

**11.** Some models may be equipped with plastic covers in the rear wheel wells. This will need to be modified and reinstalled. The interference may be too much for the latch pin to freely access through the truck frame. In which case, a slight cut or slot into the driver's side wheel well cover is necessary.

**12.** Install the latch pin release handle from underneath the truck by inserting it through the slot. The head of the bolt must be on the front side of the truck. This is necessary for the handle to be pulled and rotated in order to disengage. You may insert the rubber protector insert at this time. (fig 6).



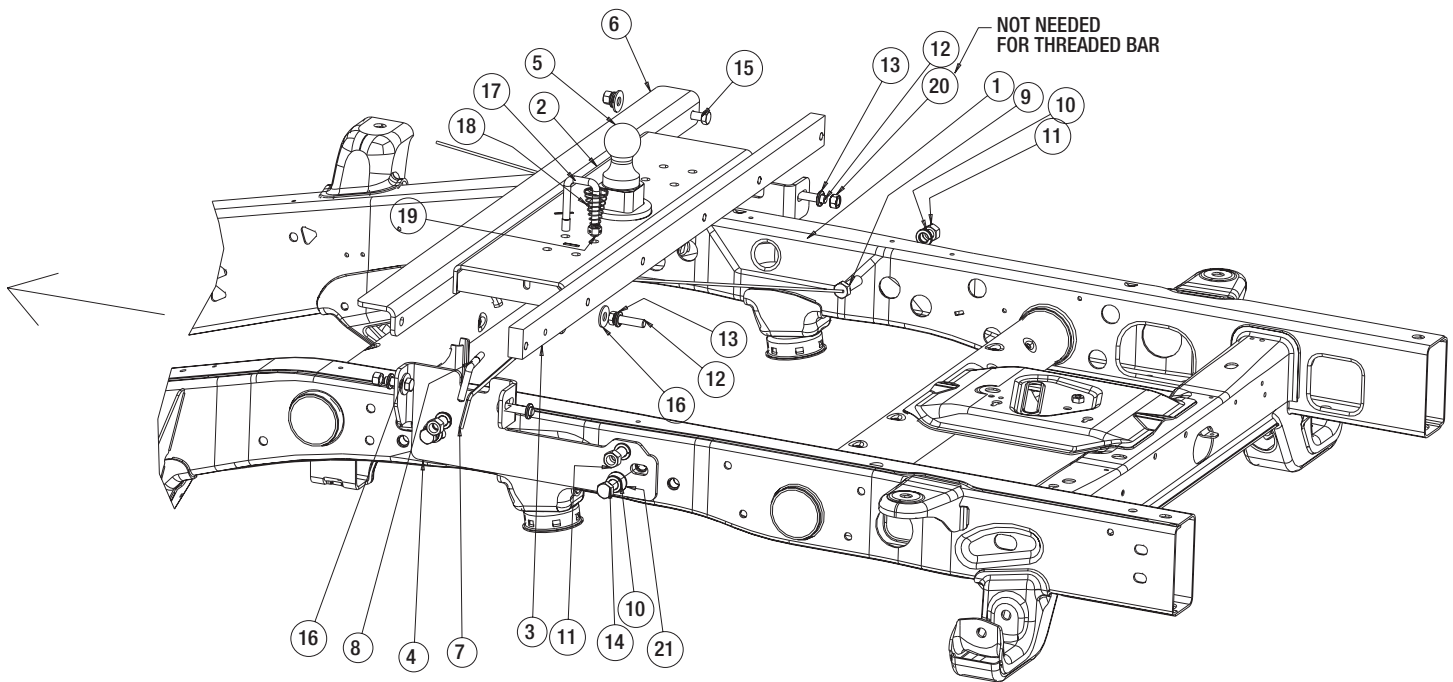
**13.** To install the u-bolt, it is necessary to drill four 1/2" holes through the truck bed floor. From bottom of the truck, drill upward with the 4 existing holes from the center sections. You have the option to pick the 4 of 8 holes to have convenience needs. Install the 4 Tapered springs into the holes just drilled along with the u-bolts. Secure it with 1/2 nuts provided. Make sure to turn the nuts with all the thread engaged and the springs are pulling the u-bolt downward.

**14.** Re-attach the Exhaust that was removed earlier. Re-attachment may require some simple additional brackets (not provided) for your specific needs.

**15.** Place the 2-5/16" hitch ball into the newly hitch installed. Pull and turn the latch pin to engage the ball with the hitch. Make sure the pin passes through both holes of the hitch. Remove and grease the square base of the ball.

**16.** Reinstall the heat shield and the spare tire to its original location.

## Repair Parts - Gooseneck Hitch Assembly



### Bill of Materials

ITEM	PART NO.	QTY.	DESCRIPTION
1	3034914	1	SIDEPLATE, PS, GN MOUNT 16 GM
2	3034918	1	HITCH, CTR SECTION, WELDMENT, GM
3	3034909	1	BAR, MOUNTING BASE
4	3034915	1	SIDEPLATE, DS, GN MOUNT 16 GM
5	3018195	1	BALL, FLIP-OVER, WITH PIN
6	3034911	1	ANGLE, CROSS RAIL
7	3018211	1	ROD, PULL, ZY
8	3018212	1	SLEEVE, VINYL, 1/4 X 4, BLACK
9	16801006	4	SCREW, HEX HD, 5/8-11x2 GR 5 W/HDL
10	FWL063108016	8	WASHER, 5/8" REGULAR SPLIT LOCK, ZN
11	FNH063011054P	4	NUT, HEX 5/8-11 GRADE 5, PLAIN

ITEM	PART NO.	QTY.	DESCRIPTION
12	3001384	6	SCREW, HEX CAP 1/2-13 X 2" GR5 ZN
13	FWL050088013	12	WASHER, LOCK - 1/2 SPLIT ZN
14	3032280	4	SCREW, HEX CAP M16-2X40 CLS 8.8 ZN
15	3006202	6	SCREW, HEX HD - 1/2-13 X 1-1/2 GR 8 ZC
16	FWF050138014	11	WASHER, FLAT, 1/2" USS, ZN
17	3018214	2	U-BOLT, SQUARE ZINC, SPECIAL
18	3018215	4	SPRING, COMPRESSION, TAPER COIL
19	3002218	4	NUT, CENTER LOCK HEX 1/2-13 ZN
20	3006201	12	NUT, 1/2-13 HEX GR. 8 ZP
21	FWF063131095	4	WASHER, 5/8 SAE FLAT ZN

### WARRANTY

Buyers Products Co. warrants all truck/trailer hardware manufactured or distributed by it, to be free from defects in material and workmanship for a period of one year from date of shipment. Parts must be properly installed and used under normal conditions. Any product which has been altered, including modification, misuse, accident or lack of maintenance will not be considered under warranty. Normal wear is excluded. The sole responsibility of Buyers Products Co. under this warranty is limited to repairing or replacing any part or parts which are returned, prepaid, and are found to be defective by Buyers Products Co. Authorization from Buyers Products Co. must be obtained before returning any part. No charges for transportation or labor performed on Buyers' products will be allowed under this warranty.