

13392

JEEP WRANGLER

4/17/2020

GROSS LOAD CAPACITY WHEN USED AS A WEIGHT CARRYING HITCH: 3500 LBS. TRAILER WEIGHT & 350 LBS. TONGUE WEIGHT.
 GROSS LOAD CAPACITY WHEN USED AS A WEIGHT DISTRIBUTION HITCH: 4000 LBS. TRAILER WEIGHT & 400 LBS. TONGUE WEIGHT



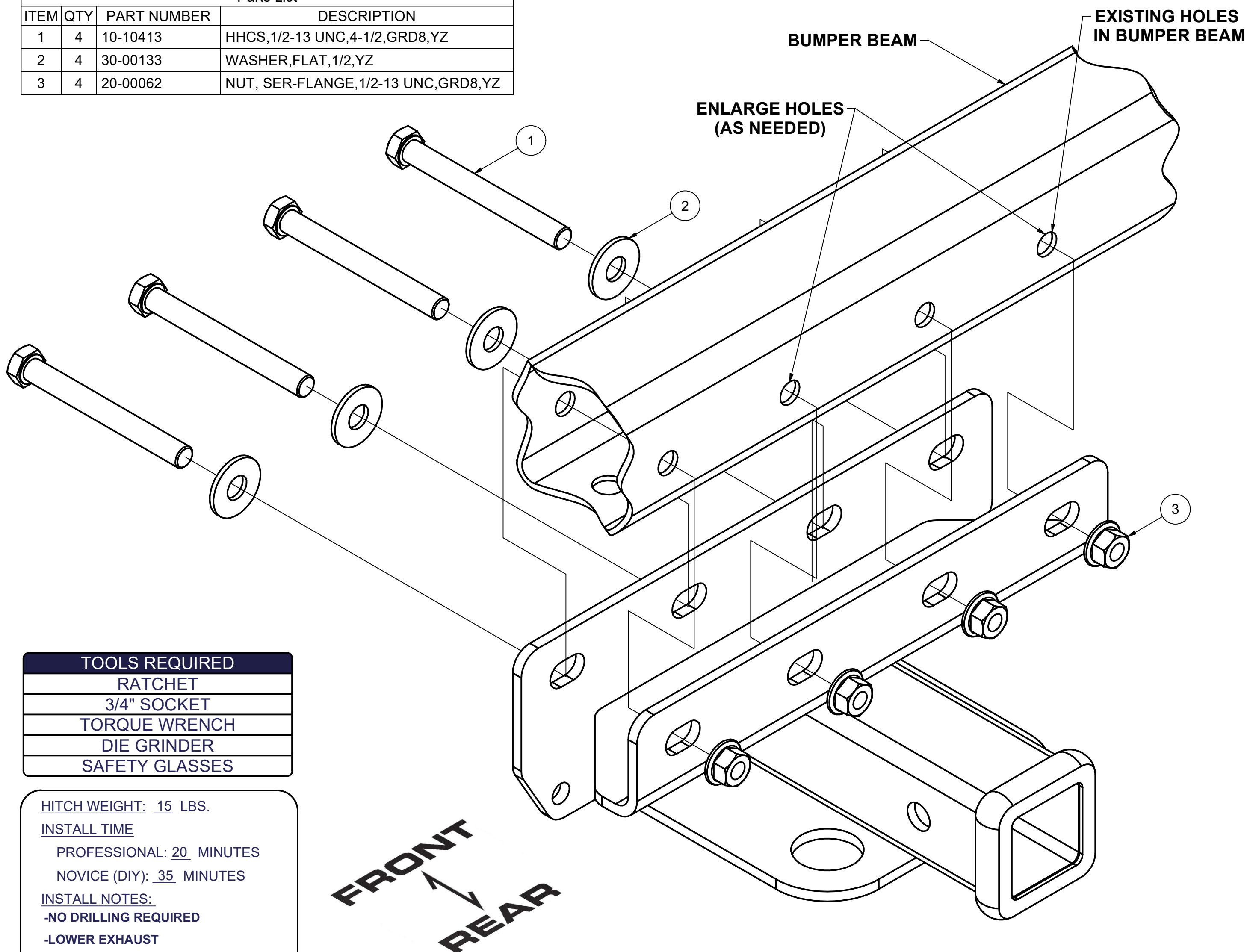
WARNING: * DO NOT EXCEED VEHICLE MANUFACTURER'S RECOMMENDED TOWING CAPACITY. *****

FOR MORE INFORMATION LOG ONTO WWW.CURTMFG.COM

HAVING INSTALLATION QUESTIONS? CALL TECHNICAL SUPPORT AT 1-877-287-8634



Parts List			
ITEM	QTY	PART NUMBER	DESCRIPTION
1	4	10-10413	HHCS, 1/2-13 UNC, 4-1/2, GRD8, YZ
2	4	30-00133	WASHER, FLAT, 1/2, YZ
3	4	20-00062	NUT, SER-FLANGE, 1/2-13 UNC, GRD8, YZ


TOOLS REQUIRED

RATCHET

3/4" SOCKET

TORQUE WRENCH

DIE GRINDER

SAFETY GLASSES

HITCH WEIGHT: 15 LBS.

INSTALL TIME

PROFESSIONAL: 20 MINUTES

NOVICE (DIY): 35 MINUTES

INSTALL NOTES:

-NO DRILLING REQUIRED

-LOWER EXHAUST

-MAY REQUIRE HOLE ENLARGMENT

INSTALLATION STEPS

- 1) Detach the muffler from the rubber muffler hanger and lower the exhaust for ease of installation.
- 2) Position the hitch over the bumper beam and align the holes of the hitch with holes in the cross member.

Note: Some models may have existing bolts attaching a plate with weldnuts on it. The hitch will need to be slid in between the bracket and the mounting tube with the factory hardware reinstalled, securing the hitch.

- 3) Insert fasteners as shown making sure the flange nuts are installed on the exterior side of the hitch. Some models may require hole enlargement.
- 4) Torque all 1/2" fasteners to 110 lb-ft.



Scan
for more
information

PERIODICALLY CHECK THIS RECEIVER HITCH TO ENSURE THAT ALL FASTENERS ARE TIGHT AND THAT ALL STRUCTURAL COMPONENTS ARE SOUND.

CURT Manufacturing LLC., warrants this product to be free of defects in material and/or workmanship at the time of retail purchase by the original purchaser. If the product is found to be defective, CURT Manufacturing LLC., may repair or replace the product, at their option, when the product is returned, prepaid, with proof of purchase. Alteration to, misuse of, or improper installation of this product voids the warranty. CURT Manufacturing LLC.'s liability is limited to repair or replacement of products found to be defective, and specifically excludes liability for incidental or consequential loss or damage.

This product complies with safety specifications and requirements for connecting devices and towing systems of the state of New York, V.E.S.C.Regulation V-5 and SAE J684.