



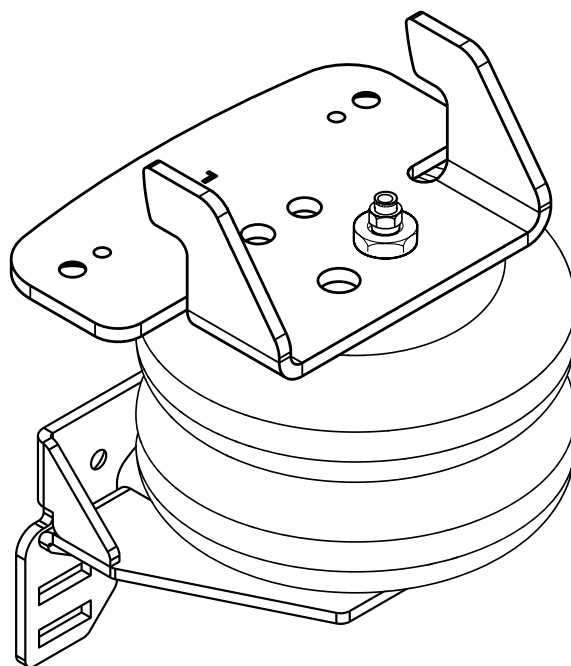
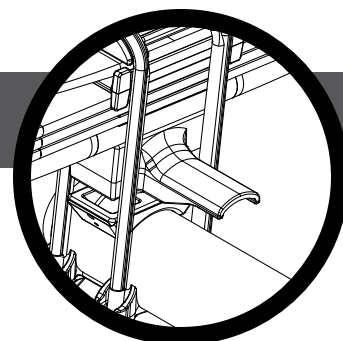
riderite.com

INSTALLATION INSTRUCTIONS

FOR MODELS WITH JOUNCE BUMPER TONGUE ONLY

Check your vehicle first. If there is no jounce bumper, use the installation instructions section for models **without** the jounce bumper tongue.

! Does your vehicle have an aftermarket lift kit? See step 8.
You may need to purchase a spacer in order to use this kit.



Firestone

Firestone Industrial Products

! IMPORTANT

PLEASE DON'T HURT YOURSELF, YOUR KIT OR YOUR VEHICLE. TAKE A MINUTE TO READ THIS IMPORTANT INFORMATION.

DO NOT INSTALL IF THE TRUCK HAS BEEN LIFTED AND THE STOCK JOUNCE BUMPER SPACERS ARE NOT ON THE VEHICLE. *This kit is to be used on a **pickup truck only**, and **DOES NOT INCREASE YOUR VEHICLE'S MAXIMUM LOAD.***

SAFE INSTALLATION

Please take all safety precautions during installation. A hydraulic jack can fail, and if that happens, you can be seriously hurt, or worse, if you are relying on it to hold up the vehicle. If you use a hydraulic jack, secure jack stands in the appropriate locations and chock any tires still touching the ground.

Wear safety glasses or goggles. Your eyes may be lower than some parts and pieces, and you don't want to lose an eye.

Remove the possibility of any electrical issues by disconnecting the negative battery cable.

KIT CLEARANCE

There must be a minimum of 1/2" clearance around all installed components when the air springs are inflated and under a load. The air springs must flex and expand during operation, so the clearance keeps the kit from rubbing against parts of the vehicle.

VEHICLE GVWR

NEVER exceed the maximum load recommended by the vehicle manufacturer (GVWR). The GVWR can be found in your vehicle's owner's manual or on the data plate on the driver's side door. Consult your local dealership for additional GVWR specifications.

INFLATING THE AIR SPRINGS

When inflating air springs, add air pressure in small quantities, checking air pressure frequently. The air springs have much less air volume than a tire, so they inflate much more quickly.

PRESSURE TO LOAD

The air springs will support approximately 50 lbs. of load for each PSI of inflation pressure (per pair). For example, 50 PSI of inflation pressure will support a load of 2500 lbs. per pair of air springs.

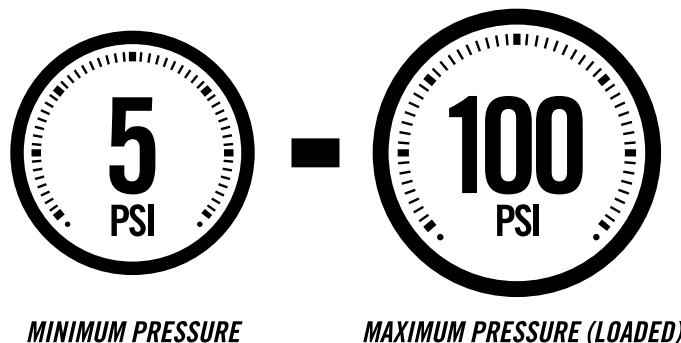
APPROPRIATE AIR PRESSURE

For best ride, use only enough air pressure in the air springs to level the vehicle when viewed from the side (front to rear). This will vary, depending on the load, location of the load, condition of the existing suspension, and personal preference.

OPTIONAL T-FITTING

This kit includes inflation valves and air line tube for each air spring, allowing you to compensate for unbalanced loads. If you prefer a single inflation valve system to provide equal pressure to both air springs, your dealer can supply the optional "T" fitting (Part # 3025 or WRI-760-3461 retail pack).


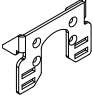
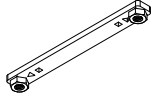
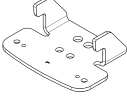
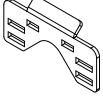

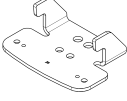
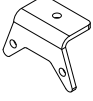

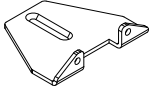
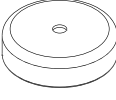
ONCE INSTALLED SUCCESSFULLY, FOLLOW THESE PRESSURE REQUIREMENTS FOR THE AIR SPRINGS:





PARTS

Compare the parts below to your kit. Assure you have all pieces, and organize them for an easier installation.


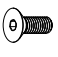
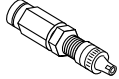

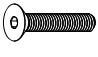


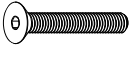

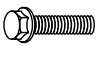



MAIN KIT CONTENTS

PT # 6397	 x2 AIR SPRING	PT # 5939	 x2 LOWER FRAME BRACKET	PT # 5940	 x2 THREAD PLATE
PT # 5872	 x1 UPPER LEFT BRACKET	PT # 5942	 x2 LEAF SPRING BRACKET	PT # 1004	 x1 HEAT SHIELD
PT # 5873	 x1 UPPER RIGHT BRACKET	PT # 5941	 x2 SUPPORT BRACKET	PT # 9415	 x1 AIR LINE TUBE (22 FEET)
PT # 5938	 x2 LOWER SPRING BRACKET	PT # 5336	 x2 AIR SPRING SPACER		

A24-760-7560 INFLATION VALVE BRACKET KIT

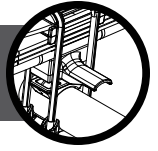
PT # 9483	 x1 NO-DRILL INFLATION VALVE BRACKET	PT # 9488	 x2 LARGE NYLON TIE
-----------	--	-----------	---

A21-760-2625 HARDWARE PACK

PT # 3022	 x16 3/8" - 16 FLANGE LOCK NUT	PT # 3514	 x6 3/8" - 16 x 1" FLAT HEAD CAP SCREW	PT # 3032	 x2 INFLATION VALVE AND VALVE CAP ASSEMBLY
PT # 3033	 x4 5/16" FLAT WASHER	PT # 3430	 x6 3/8" - 16 x 2" FLAT HEAD CAP SCREW	PT # 3055	 x2 AIR FITTING
PT # 3106	 x2 3/8" - 16 x 1" FLANGE BOLT	PT # 3515	 x4 3/8" - 16 x 2.5" FLAT HEAD CAP SCREW	PT # 3502	 x8 3/8" - 16 x 6" CARRIAGE BOLT
PT # 3150	 x2 3/8" - 16 x 2" FLANGE BOLT	PT # 3332	 x2 5/8" - 18 NYLON JAM NUT	PT # 9036	 x10 RED NYLON TIE
				PT # 0899	 x2 THERMAL SLEEVE

CONTENTS AND OVERVIEW

FOR MODELS WITH JOUNCE BUMPER TONGUE - CHECK YOUR VEHICLE FIRST!



PAGE 4 REMOVE EXISTING JOUNCE BUMPER & INSTALL THREAD PLATE

PAGE 5 INSTALL UPPER BRACKET

PAGE 6 CREATE LOWER BRACKET ASSEMBLY

PAGE 7 DRY FIT AIR SPRING

PAGE 8 MAKE ALIGNMENT MARKS

PAGE 9 DRY FIT LOWER BRACKET ASSEMBLY

PAGE 10 MEASURE BETWEEN BRACKETS AND INSTALL AIR SPRING

PAGE 11 INSTALL AIR SPRING TO UPPER BRACKET

PAGE 12 INSTALL LOWER BRACKET ASSEMBLY

PAGE 13 INSTALL HEAT SHIELD ON RIGHT SIDE

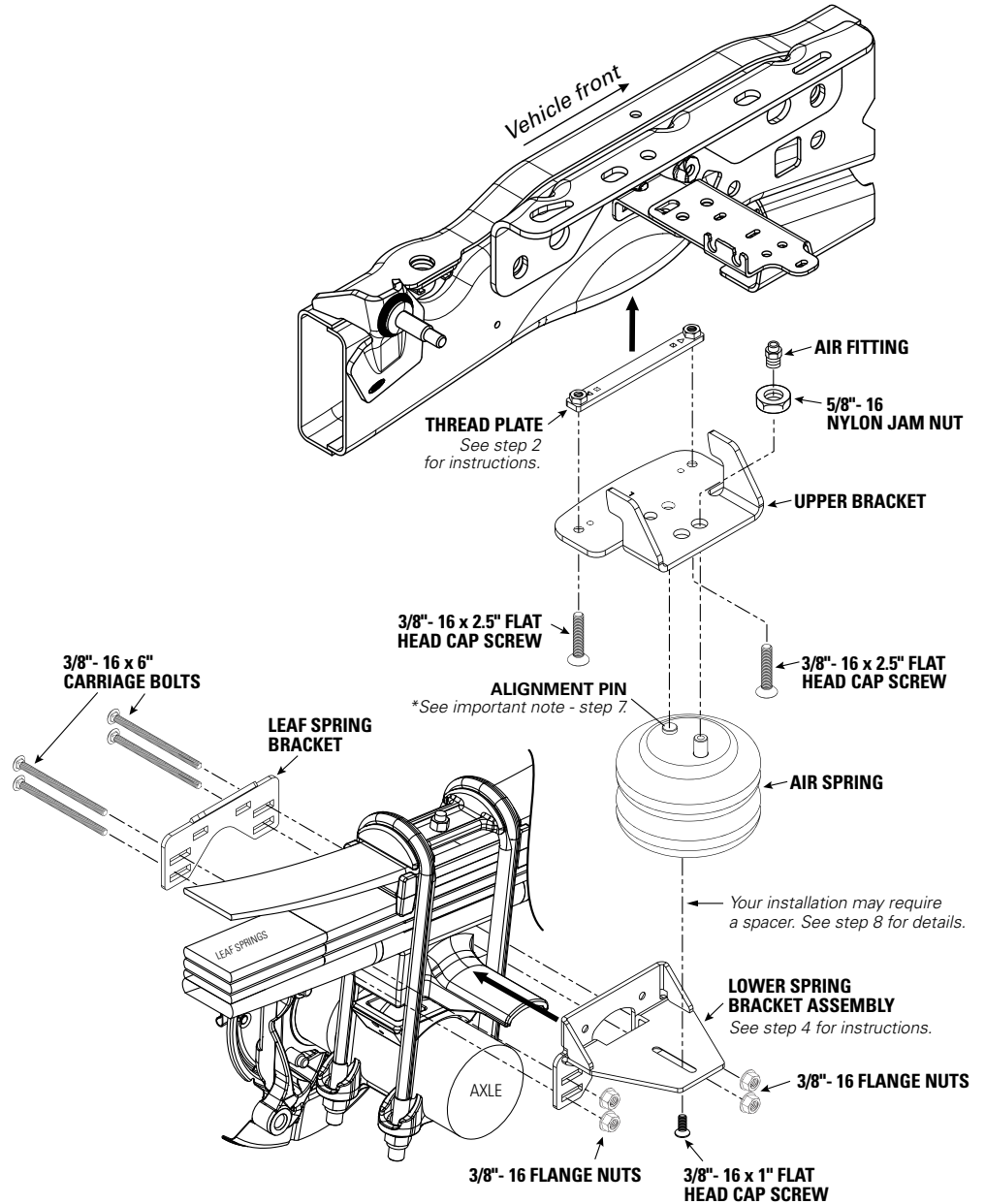
PAGE 14 AIR LINE TUBE & INFLATION VALVE INSTALLATION

PAGE 15 INSTALL & ROUTE AIR LINE TUBE

PAGE 16 CHECKING THE SYSTEM

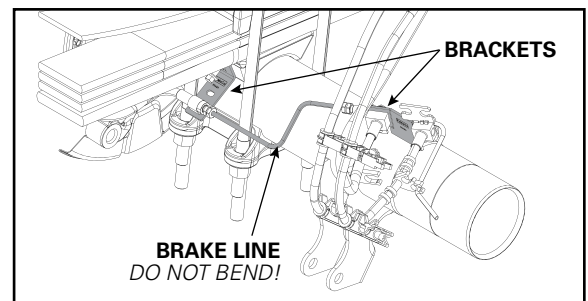
PAGE 17 FIXING AN AIR LEAK

PAGE 18 FINISHING THE INSTALLATION



! IMPORTANT NOTE

If necessary for installation clearance, slightly bend the brackets on the left (driver) side which supports the brake line and axle vent tube. After removing the plastic ABS mount from its hole in the axle bracket, use an adjustable wrench or similar tool to bend the bracket approximately 1/8" (3mm). Replace the ABS mount when proper clearance is obtained.



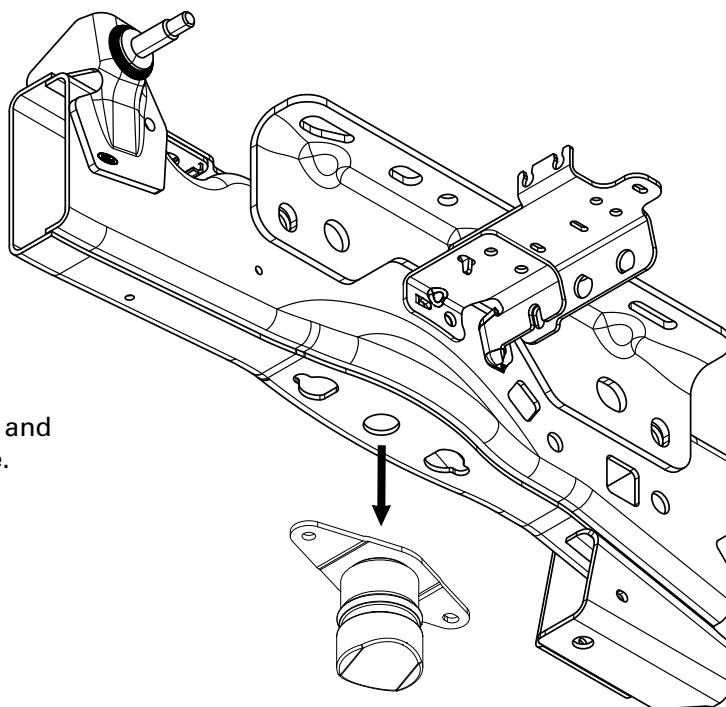
REMOVE EXISTING JOUNCE BUMPER

1



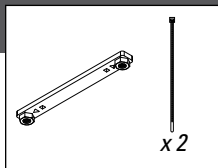
START ON THE LEFT SIDE OF THE VEHICLE WHILE FACING FORWARD.

Remove the existing jounce bumper and fastener clips from the vehicle frame.



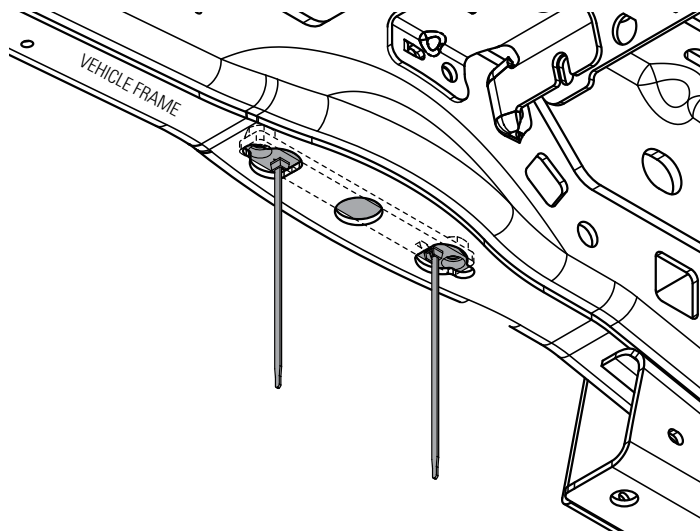
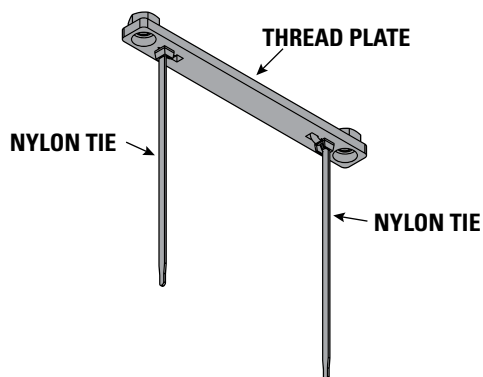
INSTALL THREAD PLATE

2



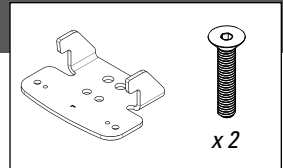
Attach nylon ties to the thread plate, as shown. These act as installation guides for the thread plate and upper bracket. They will be removed in a later step.

Insert the thread plate into the vehicle frame, as shown. Use nylon ties as handles to position thread plate.



3

INSTALL UPPER BRACKET

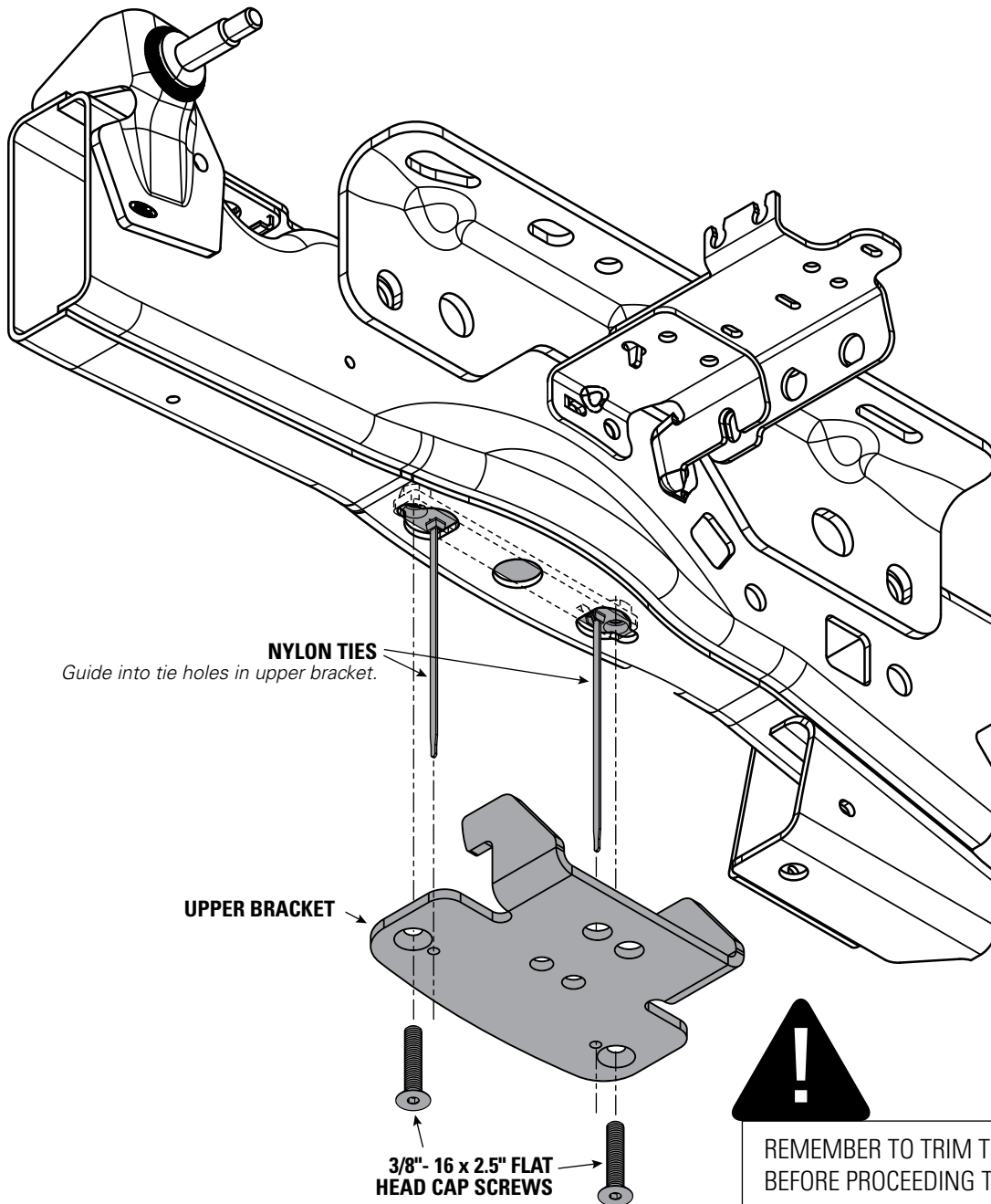


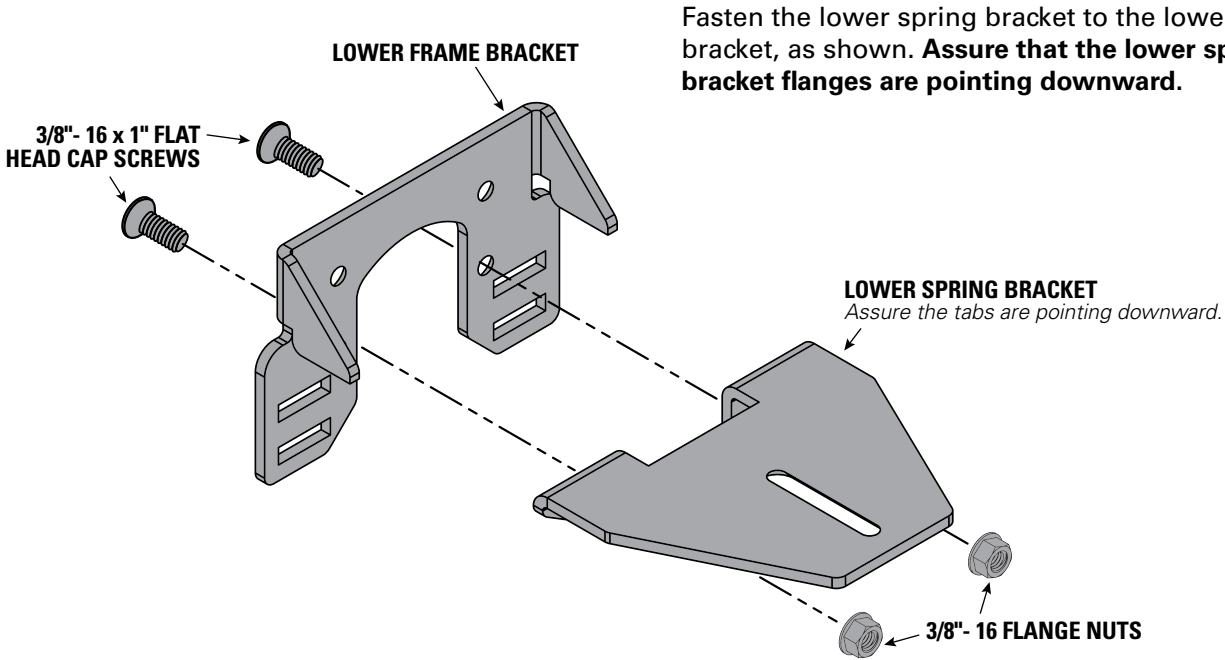
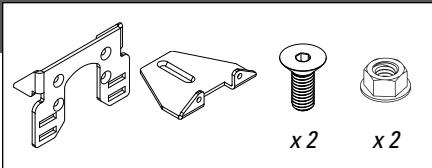
1 Guide the two nylon ties into the inner holes in the upper bracket.

2 While holding the thread plate in place with the nylon ties, **hand-thread** the fasteners in place.

3 Once the fasteners have begun engaging the threads, use snips or a knife to trim the nylon ties flush with the frame.

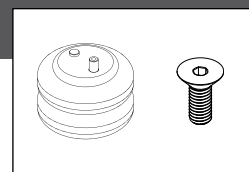
4 Fully-tighten the fasteners.



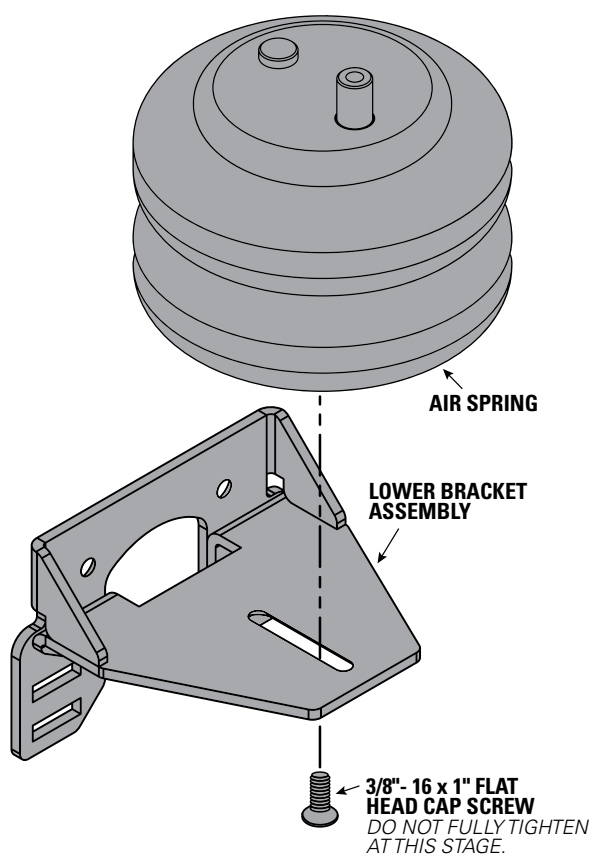


5

DRY FIT AIR SPRING



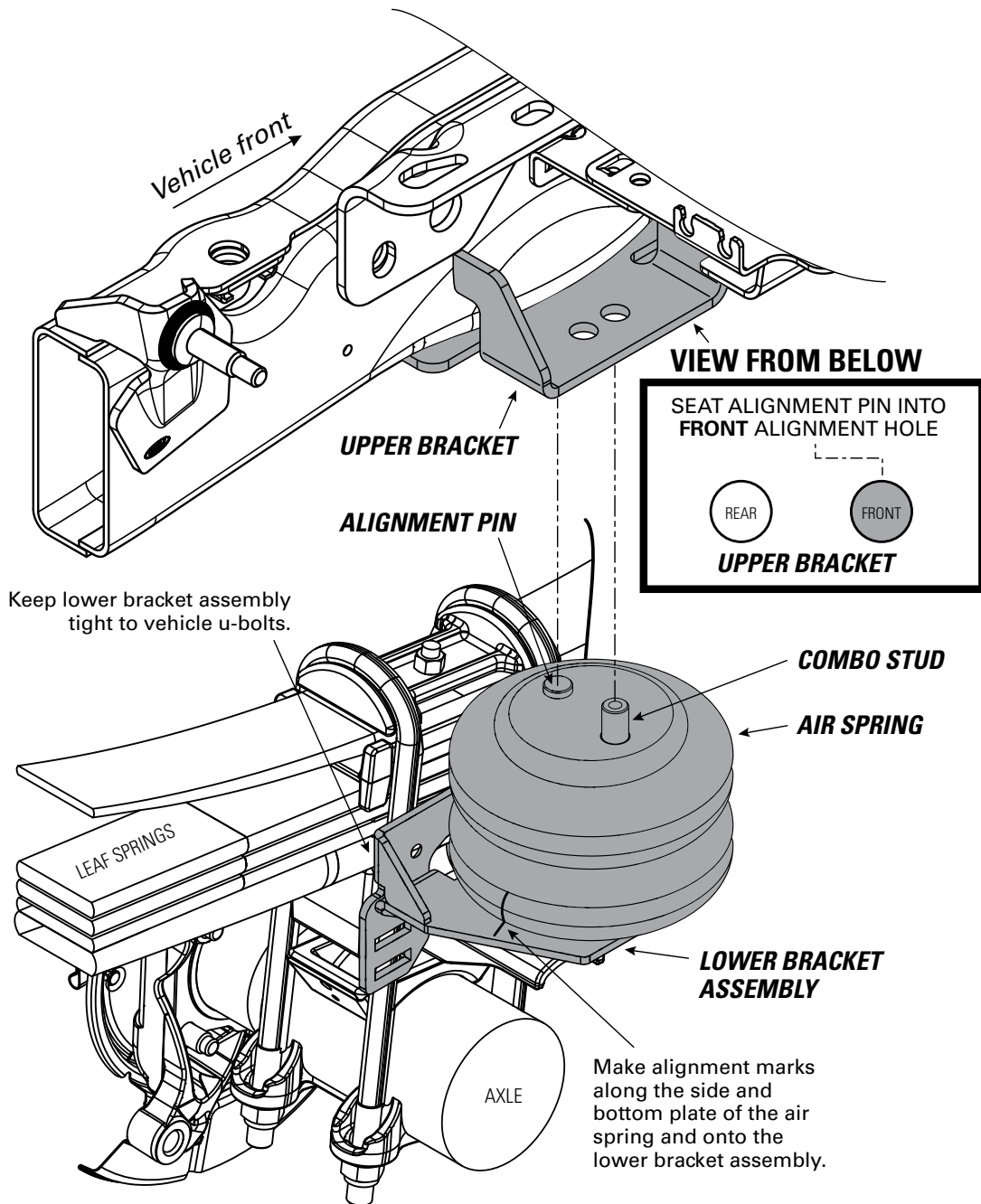
Fasten the air spring to the lower spring bracket.
DO NOT FULLY TIGHTEN AT THIS STAGE.



1 Insert the alignment pin and combo stud into the front alignment holes, as shown.

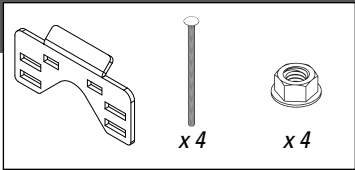
2 Position the lower bracket assembly tight to the u-bolts and assure the combo stud and alignment pin are fully seated.

3 Make alignment marks, as shown.



7

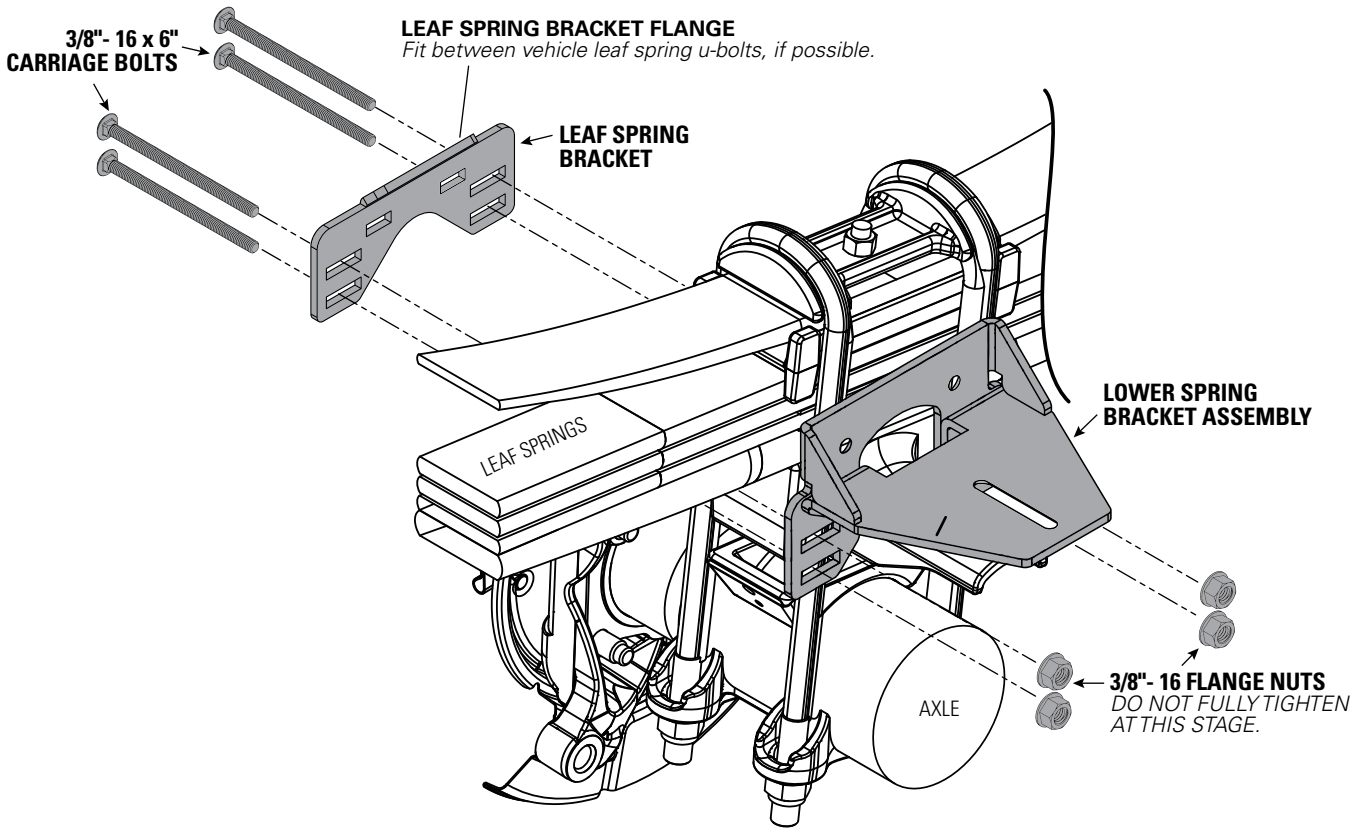
DRY FIT LOWER BRACKET ASSEMBLY

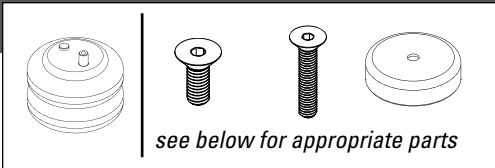


1 Remove air spring and fastener from lower bracket assembly.

2 Install the lower bracket assembly so that it is tight against the vehicle jounce tongue and leaf spring stack.

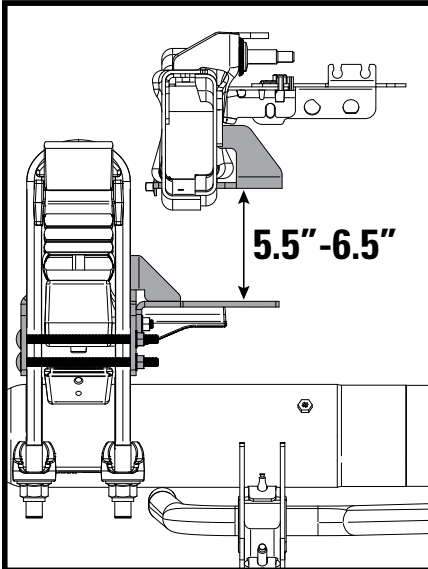
3 Do not fully tighten at this stage. You will remove the assembly after the next step.



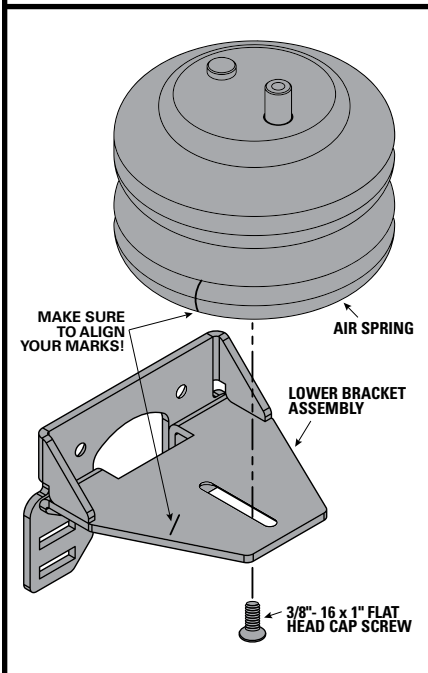


With vehicle unloaded on level ground and supporting its own weight, measure the distance between the bottom of the upper bracket and the top of the lower bracket. Use your measurement to follow the appropriate steps below.

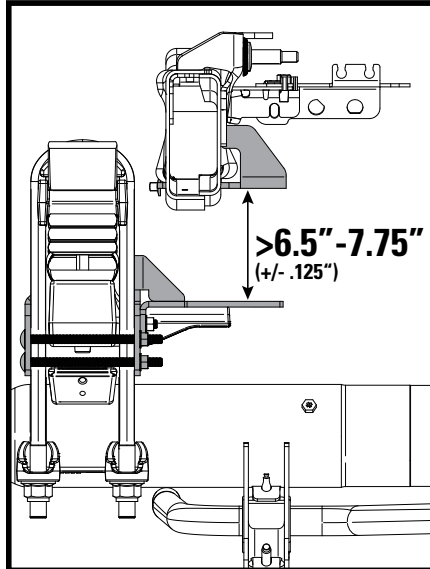
STANDARD INSTALLATION



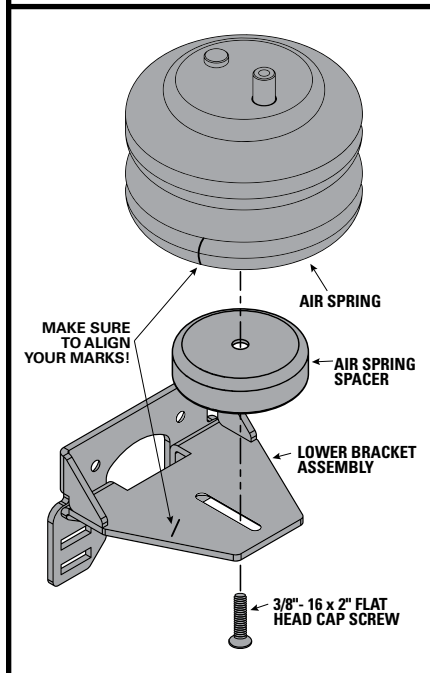
5.5" - 6.5"



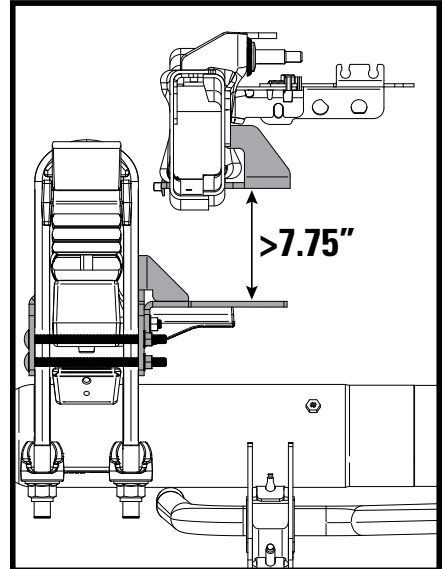
INSTALLATION WITH SPACER



> 6.5" - 7.75"
(+/- .125")



LARGER SPACER REQUIRED



> 7.75"

See Firestone catalog to order correct spacer to achieve the proper 5.5" - 6.5" distance.



YOUR ALIGNMENT MARKS MUST LINE UP BEFORE FULLY-TIGHTENING THE CAP SCREW.

9

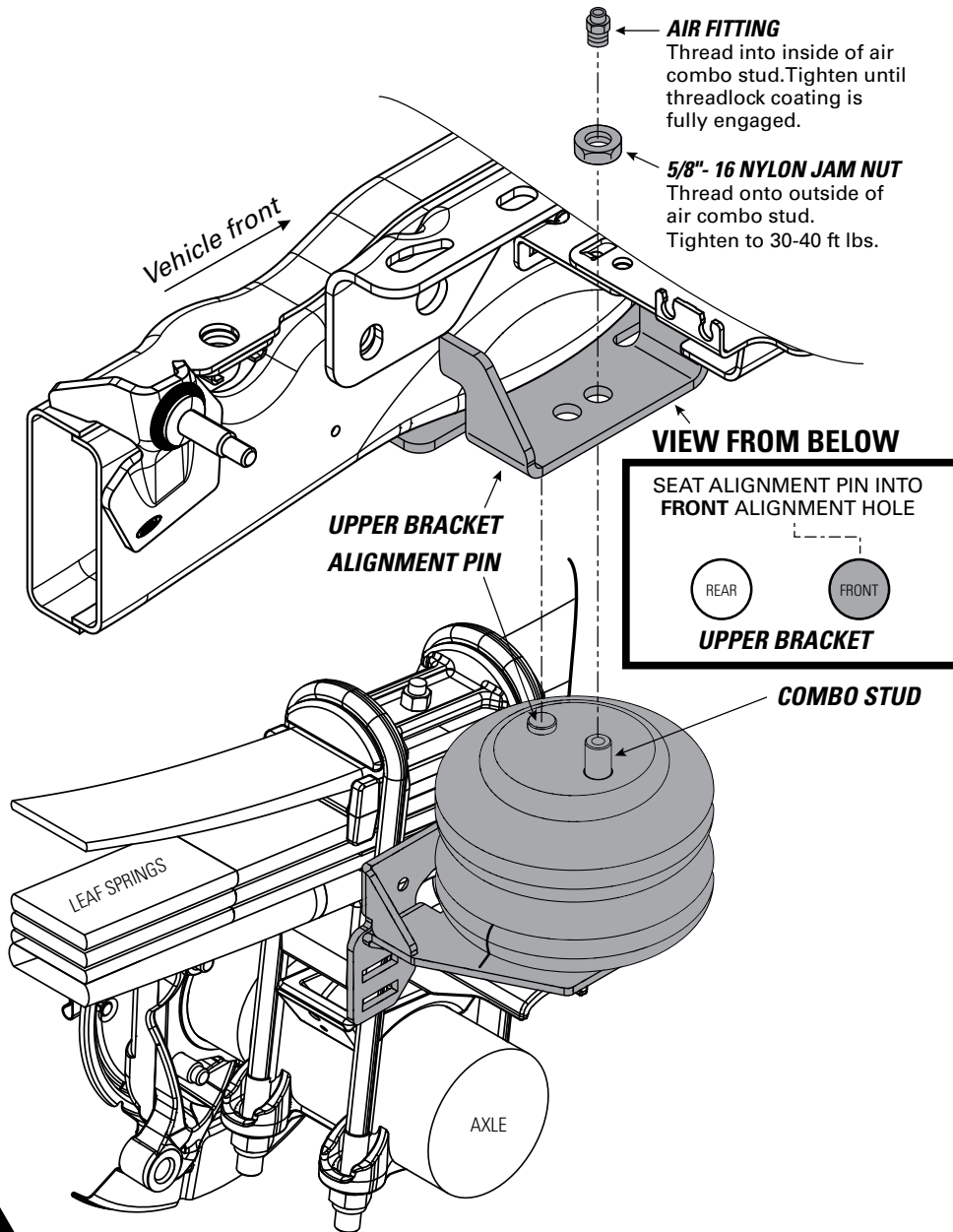
INSTALL AIR SPRING TO UPPER BRACKET



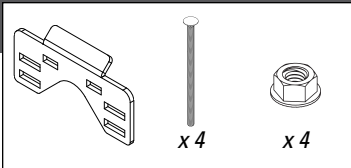
INSTALLING THE RIGHT SIDE? REMEMBER TO INSTALL THE HEAT SHIELD IN STEP 11 FIRST!

1 Install the air spring combo stud into the **front** alignment hole in the upper bracket. Fully-seat the air spring alignment pin into the **front** alignment hole.

2 Fully tighten the top of the air spring to the upper bracket.



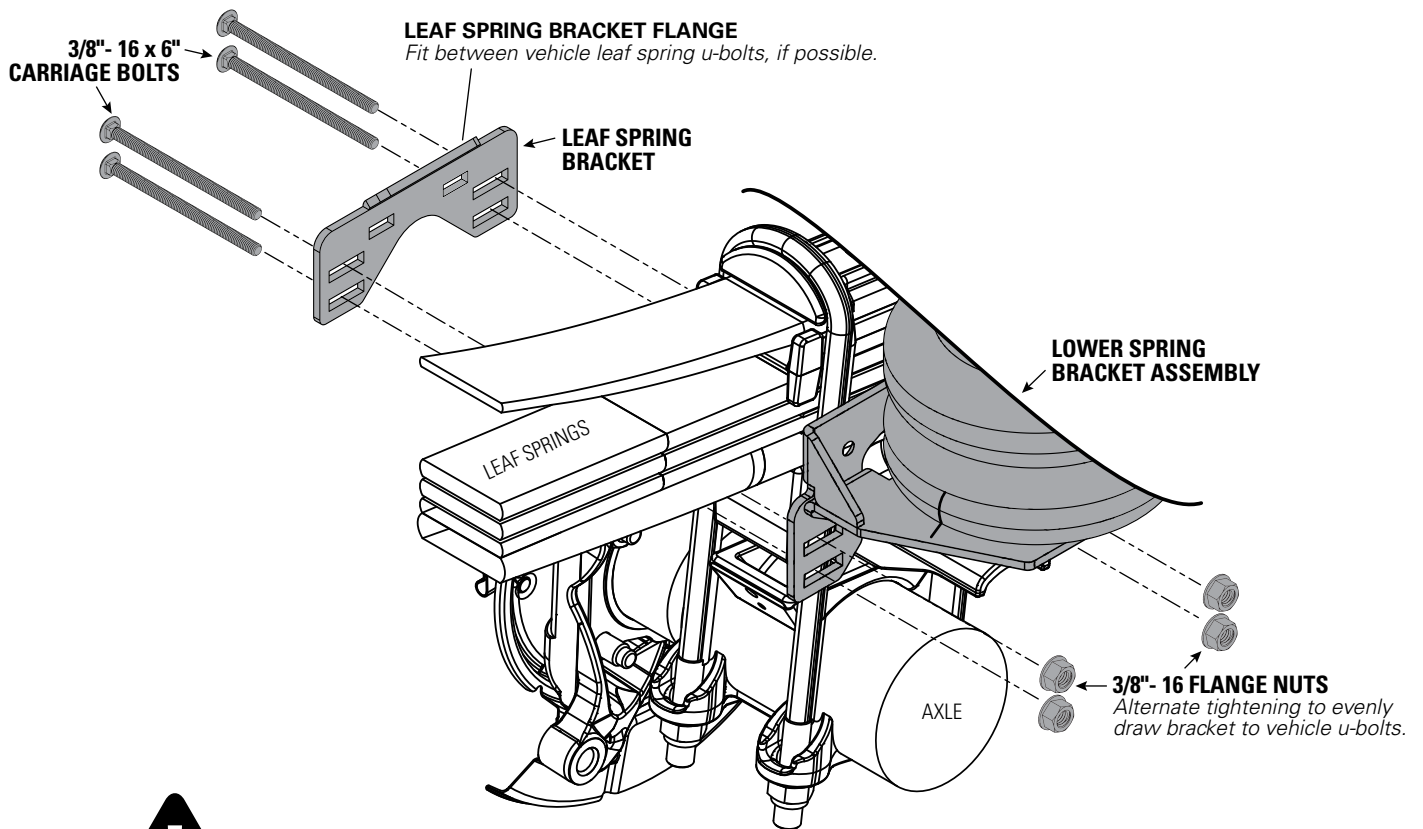
ALIGNMENT PIN ON AIR SPRINGS MUST BE INSTALLED TO FULLY SEAT INTO THE FRONT ALIGNMENT HOLE IN THE UPPER BRACKET. FAILURE TO DO SO WILL CAUSE IT TO BE PUSHED INTO THE BEAD PLATE, CREATING AN AIR LEAK, AND RESULTING IN AN AIR SPRING FAILURE THAT IS **NOT WARRANTABLE**. **THE ALIGNMENT PIN CANNOT HOLD 2,500 LBS! IT IS USED FOR ALIGNMENT ONLY!**



1 Place the lower bracket assembly on top of the jounce bumper tongue and against the inboard side of the vehicle leaf spring stack.

2 Place the leaf spring bracket on the outboard side of the leaf spring stack. If possible, fit the leaf spring bracket flange between the vehicle leaf spring u-bolts.

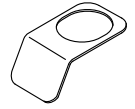
3 Install the fasteners as shown.



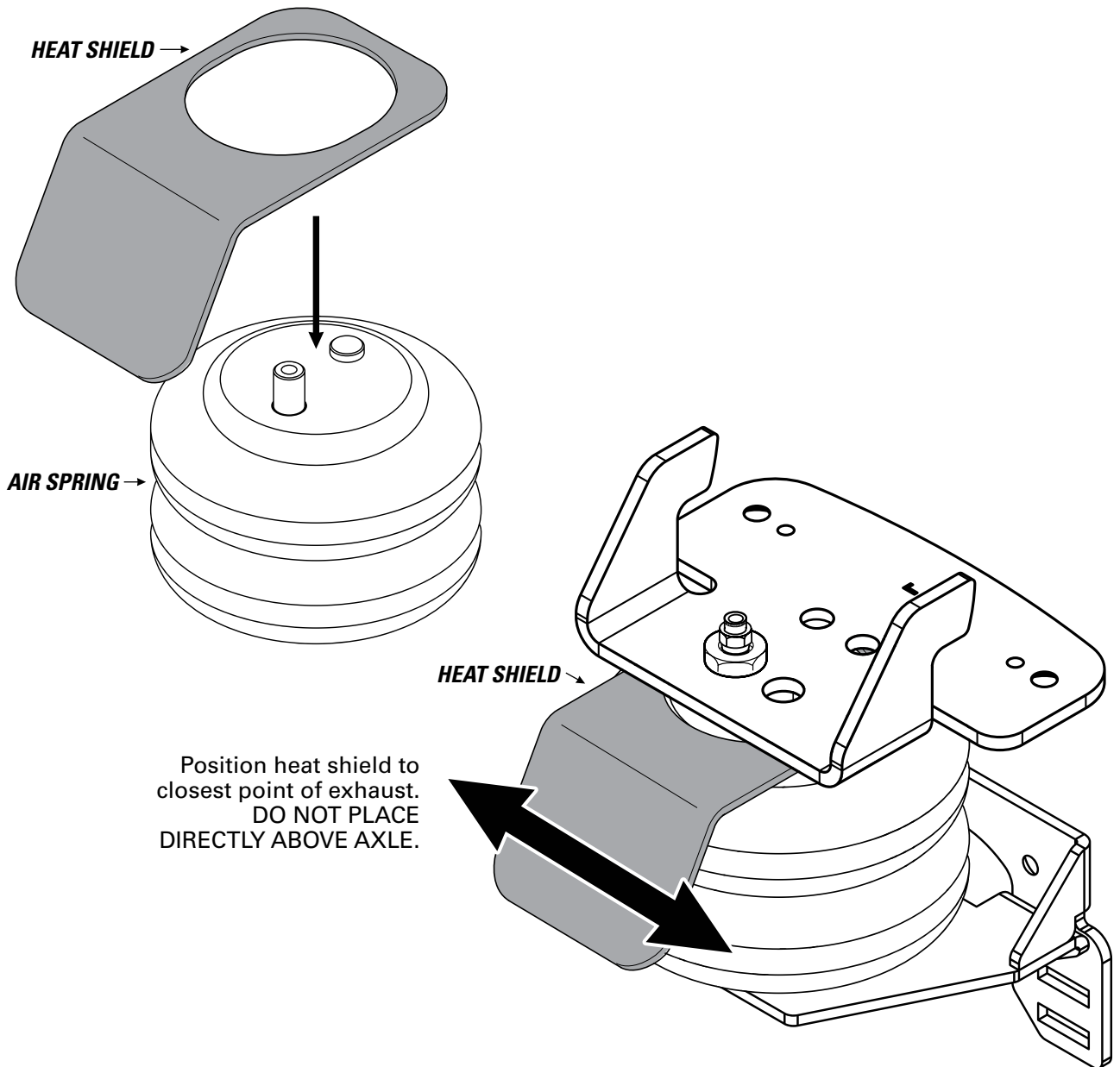
USE YOUR HAND TO CHECK FOR THE PROPER CLEARANCE AROUND THE AIR SPRING. IF YOUR HAND DOES NOT FIT BETWEEN THE AIR SPRING AND OTHER COMPONENTS, IT WILL RUB!

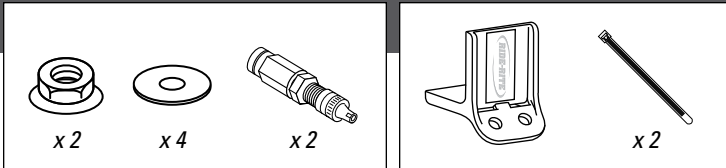


AWESOME! You're done with the left side. The right side is the same, with the addition of the heat shield. See step 8, then complete the steps for the right side installation.



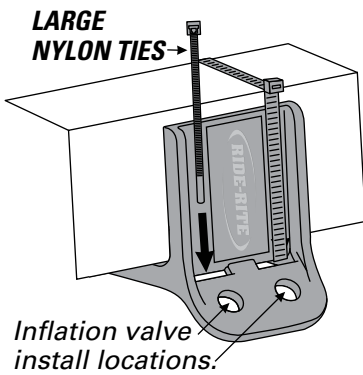
RIGHT SIDE INSTALLATION MUST INCLUDE HEAT SHIELD!





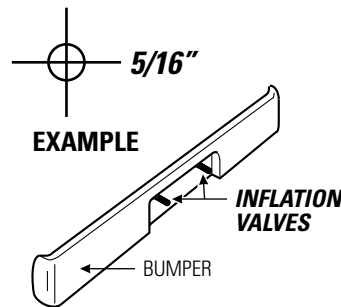
IF USING THE OPTIONAL NO-DRILL INFLATION VALVE BRACKET, CHOOSE OPTION 1. IF DRILLING, CHOOSE OPTION 2. **INFLATION VALVES MUST BE ACCESSIBLE BY AN AIR CHUCK.**

1 Secure the air inflation valve bracket to a protected, secure location.

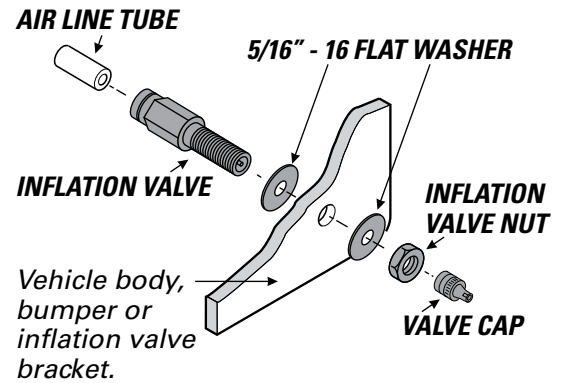


2 Select a protected location to install the inflation valves, such as the bumper or the body of the vehicle.

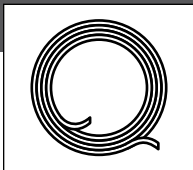
Drill two 5/16" holes for inflation valve install locations.



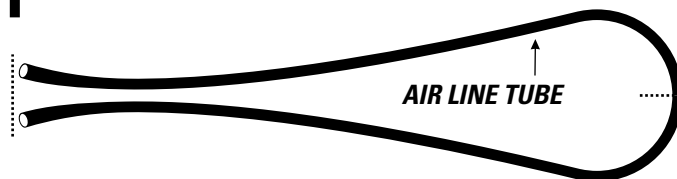
INFLATION VALVE ASSEMBLY



CUT THE AIR LINE TUBE INTO TWO EQUAL LENGTHS



1 Match air line tube ends.



2 Find center of air line tube, make a square cut with tube cutter or sharp utility knife.

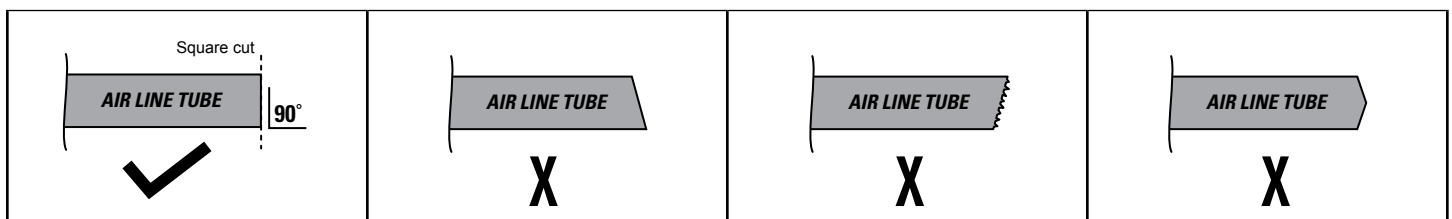
DO

Make sure the cut is as square as possible. Use a tube cutter or sharp utility knife.

DON'T

Fold or kink the air line tube. Cut the air line tube at an angle. Use pliers, scissors, snips, Saws, or side cutters.

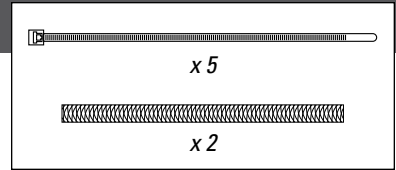
PROPER AND IMPROPER CUTS IN THE AIR LINE TUBE



14

ROUTE AND SECURE AIR LINE TUBES

Air line tube routes will vary, depending on your truck, and requires you to choose the best path from the air springs to the inflation valves. Use the instructions below to help you choose.

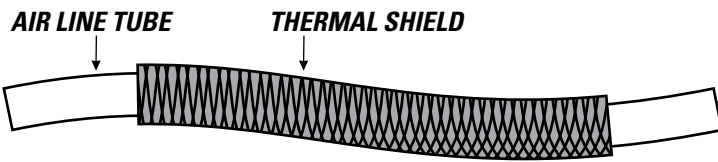


DO

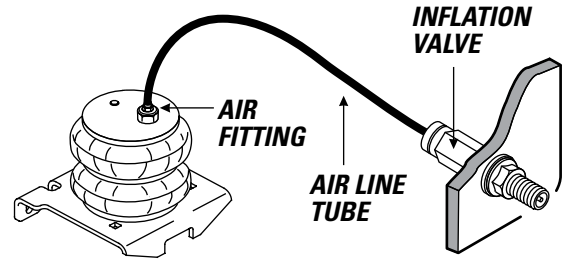
Select routes protected from heat, Debris, and sharp edges. Use thermal shields near heat sources. Use nylon ties to secure the air line tube.

DON'T

Bend or sharply curve air line tubes. Leave air line tube exposed to sharp edges. Use unnecessary lengths of air line tube. Route air line tube near moving parts. Let air line tube hang unsecured from vehicle. Scar air line tube while routing.



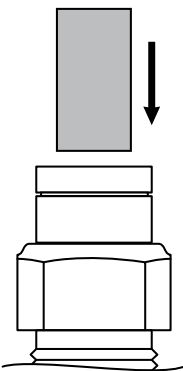
USE SUPPLIED THERMAL SHIELDS WHEN AIR LINE TUBE RUNS **WITHIN 6 INCHES** OF HEAT SOURCES.



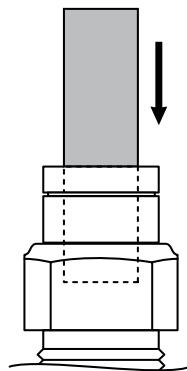
15

INSTALLING AIR LINE TUBE INTO AIR FITTINGS AND INFLATION VALVE

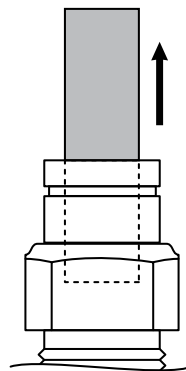
1 Insert end of air line tube into air fitting.



2 Push air line tube into air fitting as far as possible.

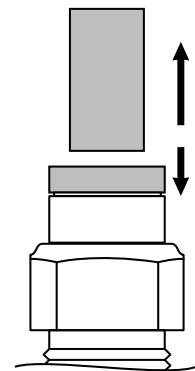


3 Gently pull on the air line tube to check for a secure fit.



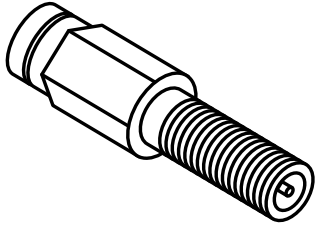
AIR LINE REMOVAL

To remove, push down collar and gently pull air line tube away.



Removal Tip: Use a 1/4", 5/16", or 6mm open-ended wrench to push the collar down.

- 1** Place an air chuck onto the inflation valve and fill the system to **70 PSI**.

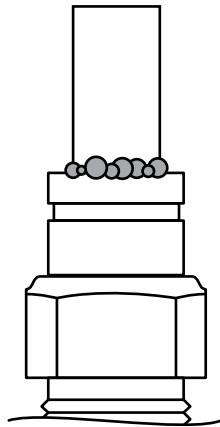


AIR SPRINGS INFLATE QUICKLY. CHECK AIR PRESSURE WHILE INFLATING.

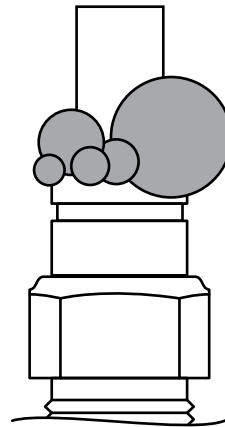
- 2** Spray fittings with soap and water mixture or glass cleaner.



- 3** Observe bubbles.



**SMALL SOAP BUBBLES
THAT DO NOT EXPAND**



**SOAP BUBBLES
THAT EXPAND**



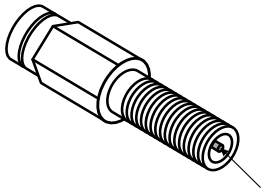
NO LEAKS?

Congratulations! Continue to step 18 to finish installation. Review the Operating Instructions.

LEAK?

Bummer. Continue to step 17 to fix the leak.

- 1 Press the air valve on end of inflation valve to release all air pressure.

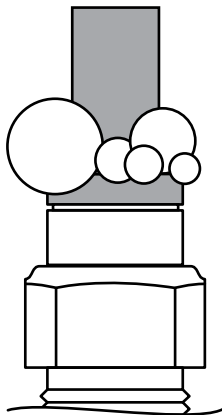


AIR VALVE



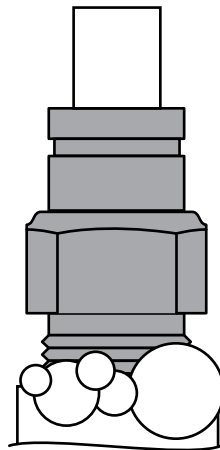
EXHAUST ALL AIR FROM THE SYSTEM PRIOR TO RELEASING AIR LINE TUBES FROM AIR FITTINGS.

LEAK AT AIR LINE TUBE AND AIR FITTING



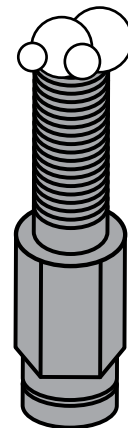
Release air line tube (see page 15). Review proper cuts and procedures in step 13. Repeat steps 15 and 16.

LEAK AT BASE OF AIR FITTING ON AIR SPRING



Tighten air fitting one turn or until leak stops.

LEAK OUT OF THE VALVE CORE ON INFLATION VALVE



Tighten valve core with valve core wrench on inflation valve cap.

STILL HAVE A LEAK?

Refer to the Troubleshooting section of the Instruction Manual.

SAFELY RETURN VEHICLE TO OPERATIVE STATE

If you removed any wheels during installation, install the wheels and torque the lug nuts to the manufacturer's specifications.

Safely remove any jack stands and wheel chocks used during installation.

Re-attach the negative battery cable.

DOUBLE-CHECK AIR SPRING CLEARANCE

Check the air springs once again for the proper 1/2" minimum clearance. Perform clearance check again when vehicle is under load.

VEHICLE GVWR

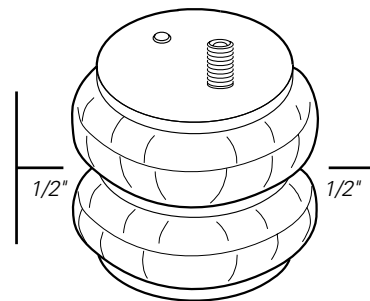
NEVER exceed the maximum load recommended by the vehicle manufacturer (GVWR). The GVWR can be found in your vehicle's owner's manual or on the data plate on the driver's side door. Consult your local dealership for additional GVWR specifications.

READ AND UNDERSTAND THE OPERATING INSTRUCTIONS

The Ride-Rite system can improve handling and comfort. Take the time to learn how to properly use and maintain your investment by reading the Operating Instructions.



USE YOUR HAND TO CHECK FOR THE PROPER CLEARANCE AROUND THE AIR SPRING. IF YOUR HAND DOES NOT FIT BETWEEN THE AIR SPRING AND OTHER COMPONENTS, IT WILL RUB!



! IMPORTANT

A MINIMUM OF 5 PSI MUST BE MAINTAINED IN THE AIR SPRINGS AT ALL TIMES

Too much air pressure in the air springs will result in a firmer ride, while too little air pressure will allow the air springs to bottom out over rough conditions, and will not provide the improvement in handling that is possible.



MINIMUM PRESSURE

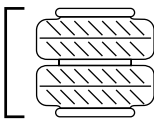
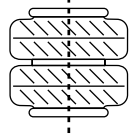


MAXIMUM PRESSURE (LOADED)



riderite.com

BEFORE YOU DRIVE, CONFIRM THE FOLLOWING:

- Do you have a minimum of 5PSI in your air springs?
- Are your air springs standing 5.5" - 6.5" tall? 
- Are your air springs properly aligned, left-to-right and front-to-back? 
- Are your nuts and bolts tight?
- Put your paper work back into the sleeve and keep it in your glove compartment for future reference.
- You've been bagged...and now your suspension is Airide™ equipped! Show it off with the supplied decal!

NEED INSTALLATION HELP?

Email us at rrtech@fsip.com. Please include photos to help us better diagnose and understand any problems you may be experiencing.

Firestone

Firestone Industrial Products

CONNECT WITH US



FirestoneIP



Firestone Ride-Rite



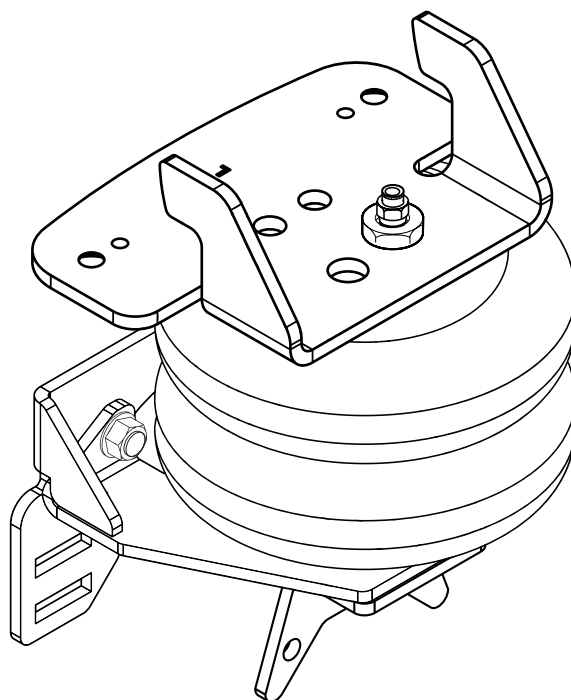
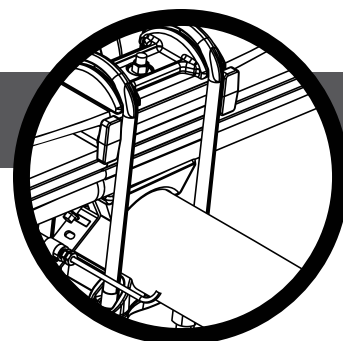
riderrite.com

INSTALLATION INSTRUCTIONS

FOR MODELS WITHOUT JOUNCE BUMPER TONGUE ONLY

Check your vehicle first. If there is a jounce bumper, use the installation instructions designed for models **with** the jounce bumper tongue.

! Does your vehicle have an aftermarket lift kit? See step 8.
You may need to purchase a spacer in order to use this kit.



Firestone

Firestone Industrial Products

! IMPORTANT

PLEASE DON'T HURT YOURSELF, YOUR KIT OR YOUR VEHICLE. TAKE A MINUTE TO READ THIS IMPORTANT INFORMATION.

DO NOT INSTALL IF THE TRUCK HAS BEEN LIFTED AND THE STOCK JOUNCE BUMPER SPACERS ARE NOT ON THE VEHICLE. *This kit is to be used on a **pickup truck only**, and **DOES NOT INCREASE YOUR VEHICLE'S MAXIMUM LOAD.***

SAFE INSTALLATION

Please take all safety precautions during installation. A hydraulic jack can fail, and if that happens, you can be seriously hurt, or worse, if you are relying on it to hold up the vehicle. If you use a hydraulic jack, secure jack stands in the appropriate locations and chock any tires still touching the ground.

Wear safety glasses or goggles. Your eyes may be lower than some parts and pieces, and you don't want to lose an eye.

Remove the possibility of any electrical issues by disconnecting the negative battery cable.

KIT CLEARANCE

There must be a minimum of 1/2" clearance around all installed components when the air springs are inflated and under a load. The air springs must flex and expand during operation, so the clearance keeps the kit from rubbing against parts of the vehicle.

VEHICLE GVWR

NEVER exceed the maximum load recommended by the vehicle manufacturer (GVWR). The GVWR can be found in your vehicle's owner's manual or on the data plate on the driver's side door. Consult your local dealership for additional GVWR specifications.

INFLATING THE AIR SPRINGS

When inflating air springs, add air pressure in small quantities, checking air pressure frequently. The air springs have much less air volume than a tire, so they inflate much more quickly.

PRESSURE TO LOAD

The air springs will support approximately 50 lbs. of load for each PSI of inflation pressure (per pair). For example, 50 PSI of inflation pressure will support a load of 2500 lbs. per pair of air springs.

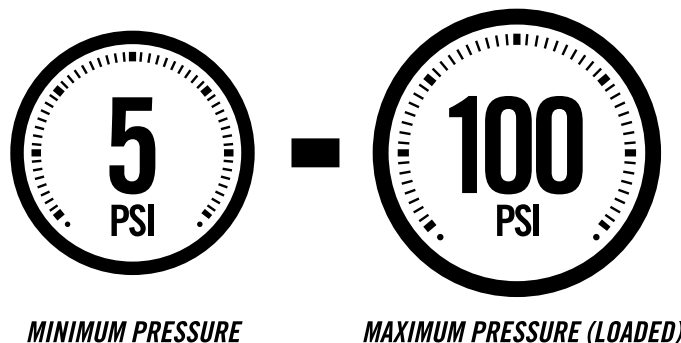
APPROPRIATE AIR PRESSURE

For best ride, use only enough air pressure in the air springs to level the vehicle when viewed from the side (front to rear). This will vary, depending on the load, location of the load, condition of the existing suspension, and personal preference.

OPTIONAL T-FITTING

This kit includes inflation valves and air line tube for each air spring, allowing you to compensate for unbalanced loads. If you prefer a single inflation valve system to provide equal pressure to both air springs, your dealer can supply the optional "T" fitting (Part # 3025 or WRI-760-3461 retail pack).


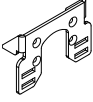
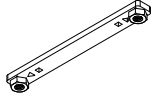
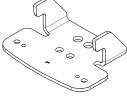
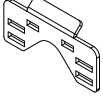

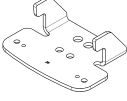
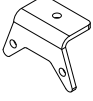

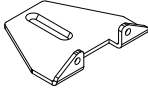
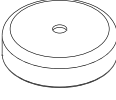
ONCE INSTALLED SUCCESSFULLY, FOLLOW THESE PRESSURE REQUIREMENTS FOR THE AIR SPRINGS:





PARTS

Compare the parts below to your kit. Assure you have all pieces, and organize them for an easier installation.


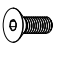
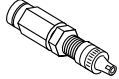

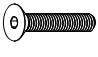


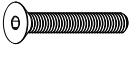

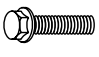



MAIN KIT CONTENTS

PT # 6397	 x2 AIR SPRING	PT # 5939	 x2 LOWER FRAME BRACKET	PT # 5940	 x2 THREAD PLATE
PT # 5872	 x1 UPPER LEFT BRACKET	PT # 5942	 x2 LEAF SPRING BRACKET	PT # 1004	 x1 HEAT SHIELD
PT # 5873	 x1 UPPER RIGHT BRACKET	PT # 5941	 x2 SUPPORT BRACKET	PT # 9415	 x1 AIR LINE TUBE (22 FEET)
PT # 5938	 x2 LOWER SPRING BRACKET	PT # 5336	 x2 AIR SPRING SPACER		

A24-760-7560 INFLATION VALVE BRACKET KIT

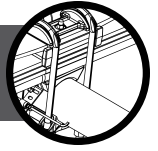
PT # 9483	 x1 NO-DRILL INFLATION VALVE BRACKET	PT # 9488	 x2 LARGE NYLON TIE
-----------	--	-----------	---

A21-760-2625 HARDWARE PACK

PT # 3022	 x16 3/8" - 16 FLANGE LOCK NUT	PT # 3514	 x6 3/8" - 16 x 1" FLAT HEAD CAP SCREW	PT # 3032	 x2 INFLATION VALVE AND VALVE CAP ASSEMBLY
PT # 3033	 x4 5/16" FLAT WASHER	PT # 3430	 x6 3/8" - 16 x 2" FLAT HEAD CAP SCREW	PT # 3055	 x2 AIR FITTING
PT # 3106	 x2 3/8" - 16 x 1" FLANGE BOLT	PT # 3515	 x4 3/8" - 16 x 2.5" FLAT HEAD CAP SCREW	PT # 3502	 x8 3/8" - 16 x 6" CARRIAGE BOLT
PT # 3150	 x2 3/8" - 16 x 2" FLANGE BOLT	PT # 3332	 x2 5/8" - 18 NYLON JAM NUT	PT # 9036	 x10 RED NYLON TIE
				PT # 0899	 x2 THERMAL SLEEVE

CONTENTS AND OVERVIEW

FOR MODELS WITHOUT JOUNCE BUMPER TONGUE - CHECK YOUR VEHICLE FIRST!



PAGE 4 REMOVE EXISTING JOUNCE BUMPER & INSTALL THREAD PLATE

PAGE 5 INSTALL UPPER BRACKET

PAGE 6 CREATE LOWER BRACKET ASSEMBLY

PAGE 7 DRY FIT AIR SPRING

PAGE 8 MAKE ALIGNMENT MARKS

PAGE 9 DRY FIT LOWER BRACKET ASSEMBLY

PAGE 10 MEASURE BETWEEN BRACKETS AND INSTALL AIR SPRING

PAGE 11 INSTALL AIR SPRING TO UPPER BRACKET

PAGE 12 INSTALL LOWER BRACKET ASSEMBLY

PAGE 13 INSTALL HEAT SHIELD ON RIGHT SIDE

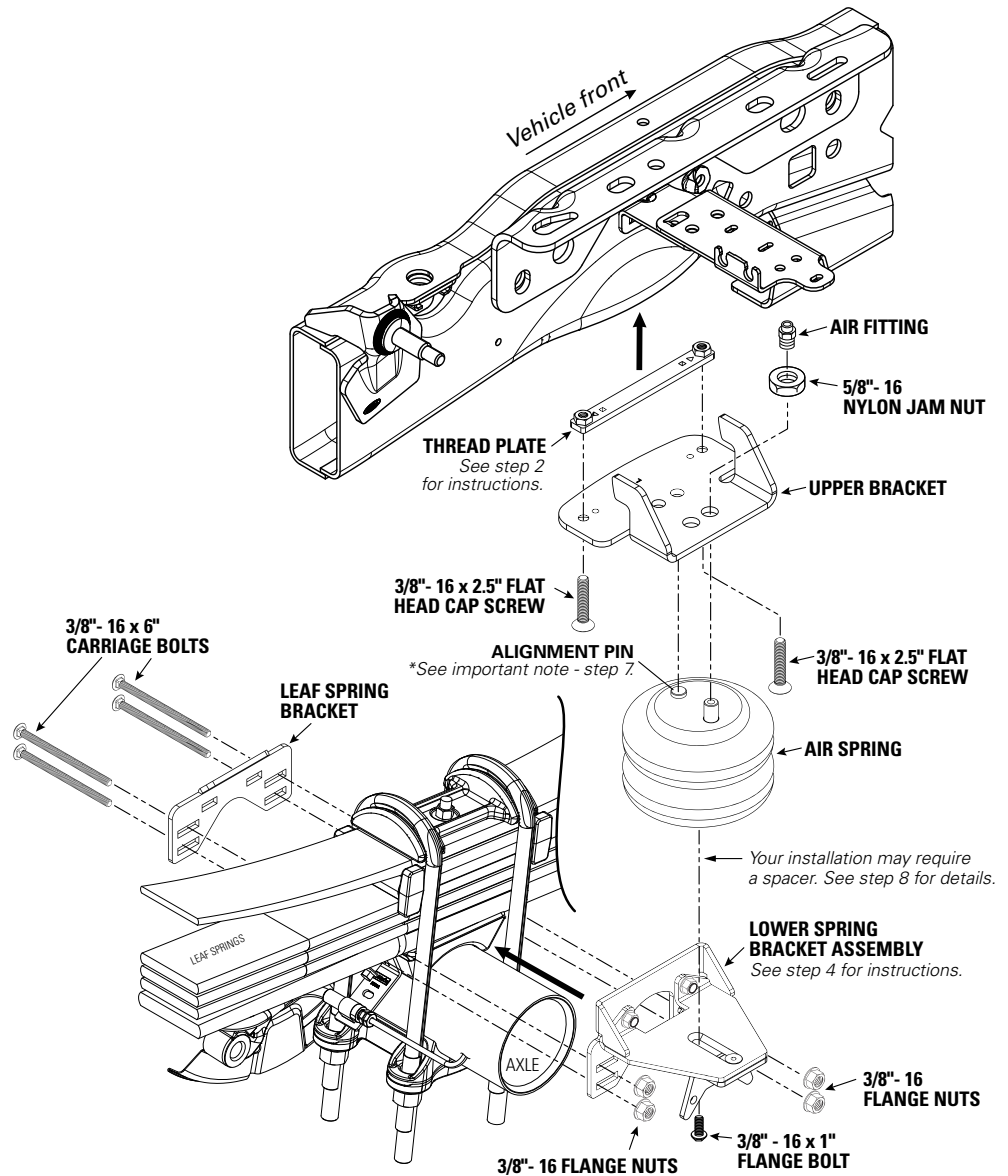
PAGE 14 AIR LINE TUBE & INFLATION VALVE INSTALLATION

PAGE 15 INSTALL & ROUTE AIR LINE TUBE

PAGE 16 CHECKING THE SYSTEM

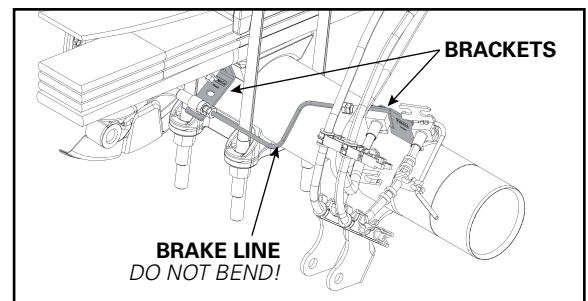
PAGE 17 FIXING AN AIR LEAK

PAGE 18 FINISHING THE INSTALLATION



! IMPORTANT NOTE

If necessary for installation clearance, slightly bend the brackets on the left (driver) side which supports the brake line and axle vent tube. After removing the plastic ABS mount from its hole in the axle bracket, use an adjustable wrench or similar tool to bend the bracket approximately 1/8" (3mm). Replace the ABS mount when proper clearance is obtained.



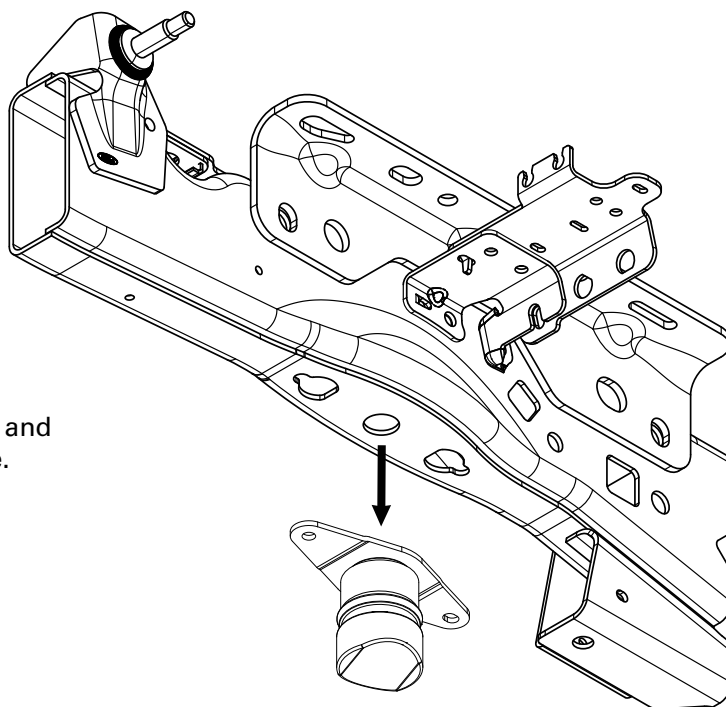
REMOVE EXISTING JOUNCE BUMPER

1



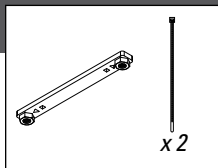
START ON THE LEFT SIDE OF THE VEHICLE WHILE FACING FORWARD.

Remove the existing jounce bumper and fastener clips from the vehicle frame.



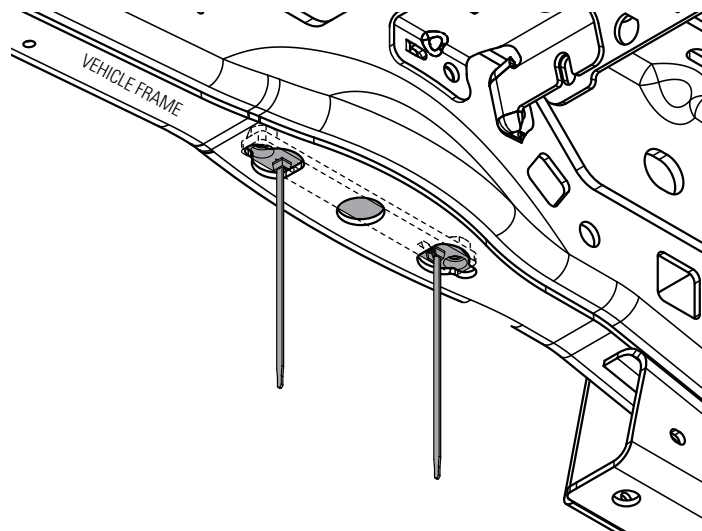
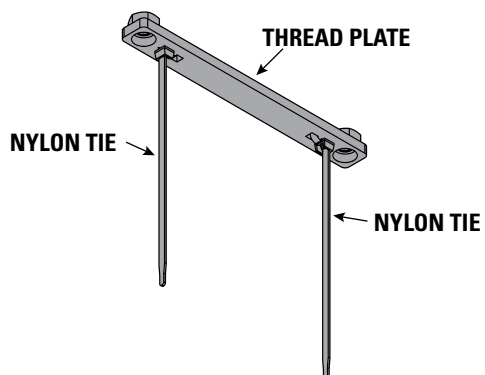
INSTALL THREAD PLATE

2



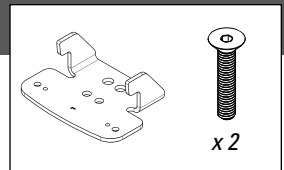
Attach nylon ties to the thread plate, as shown. These act as installation guides for the thread plate and upper bracket. They will be removed in a later step.

Insert the thread plate into the vehicle frame, as shown. Use nylon ties as handles to position thread plate.



3

INSTALL UPPER BRACKET

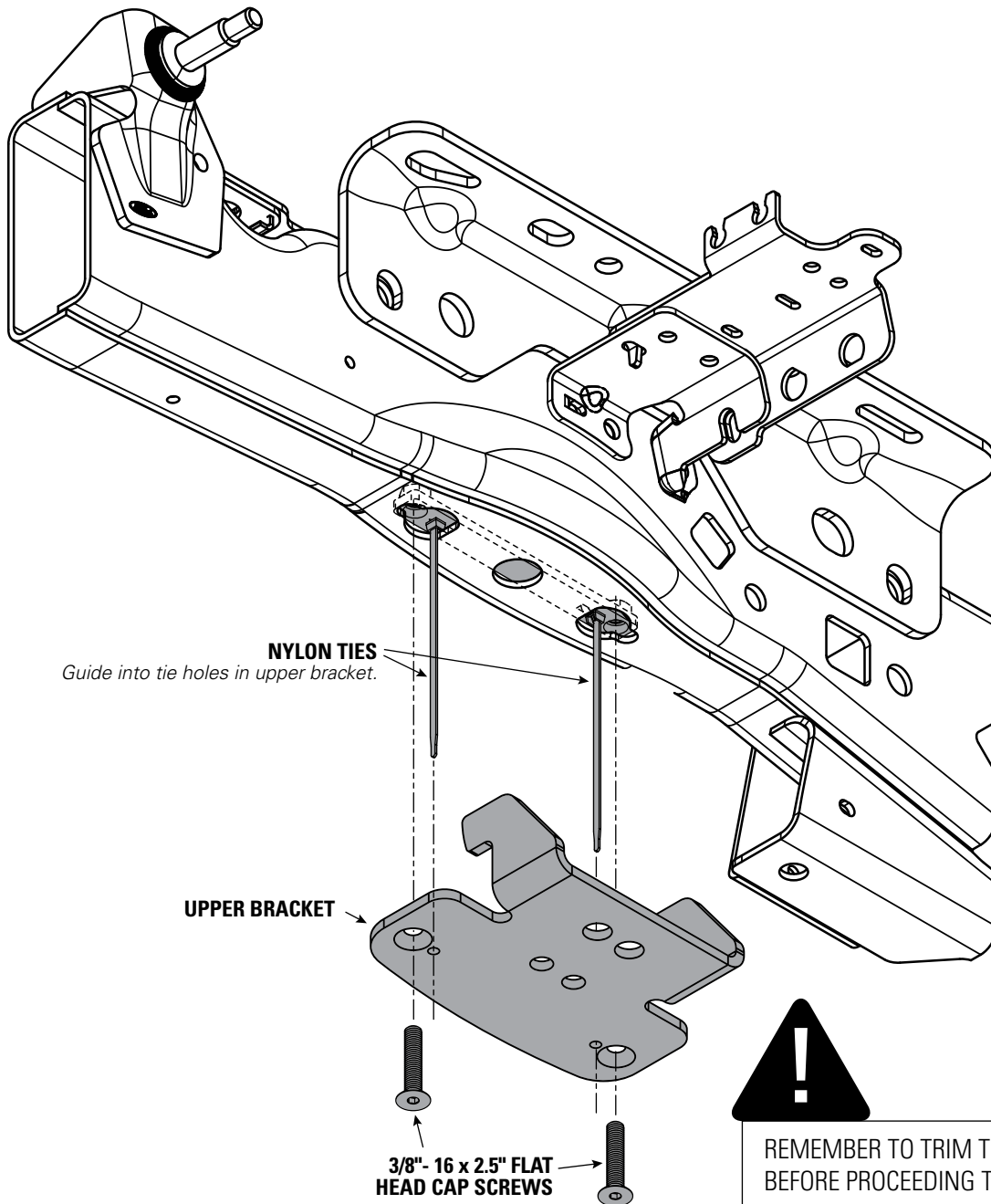


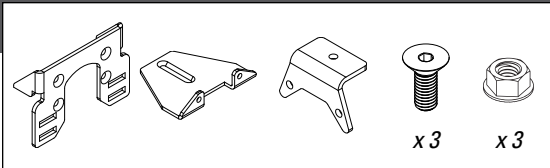
1 Guide the two nylon ties into the inner holes in the upper bracket.

2 While holding the thread plate in place with the nylon ties, **hand-thread** the fasteners in place.

3 Once the fasteners have begun engaging the threads, use snips or a knife to trim the nylon ties flush with the frame.

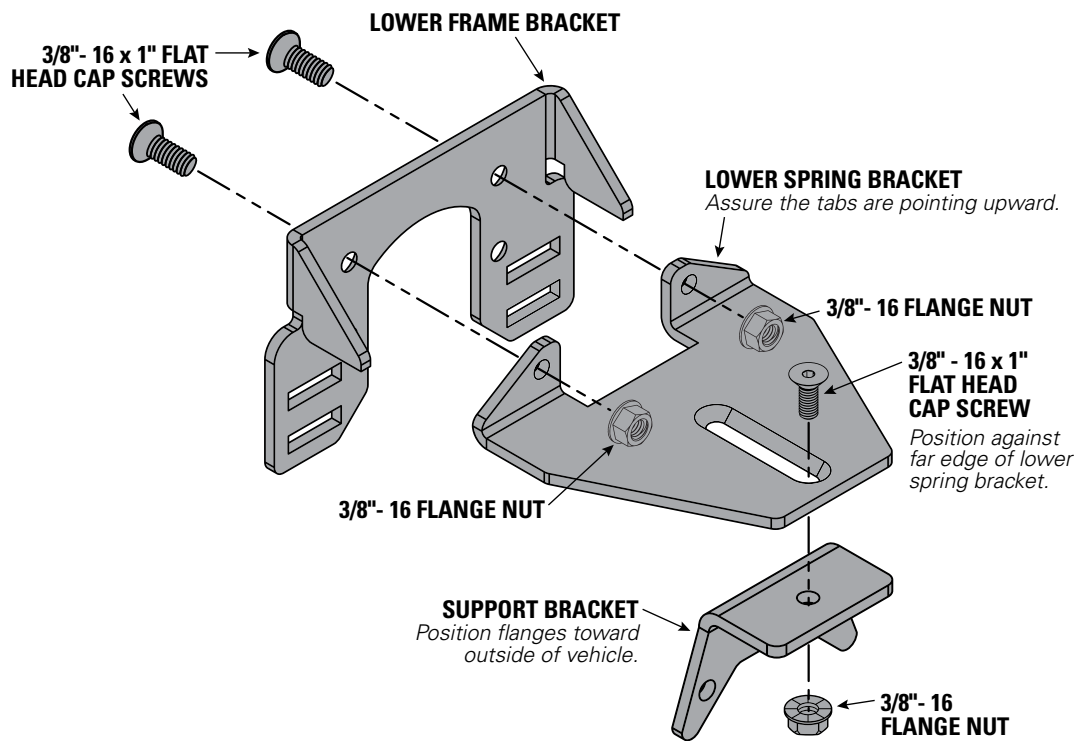
4 Fully-tighten the fasteners.





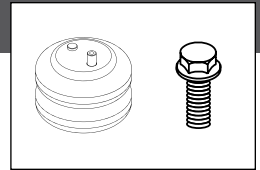
1 Fasten the lower spring bracket to the lower frame bracket, as shown. **Assure that the lower spring bracket flanges are pointing upward.**

2 Fasten the support bracket to the lower spring bracket, as shown. Assure the flat head cap screw is against the far edge of the lower spring bracket.

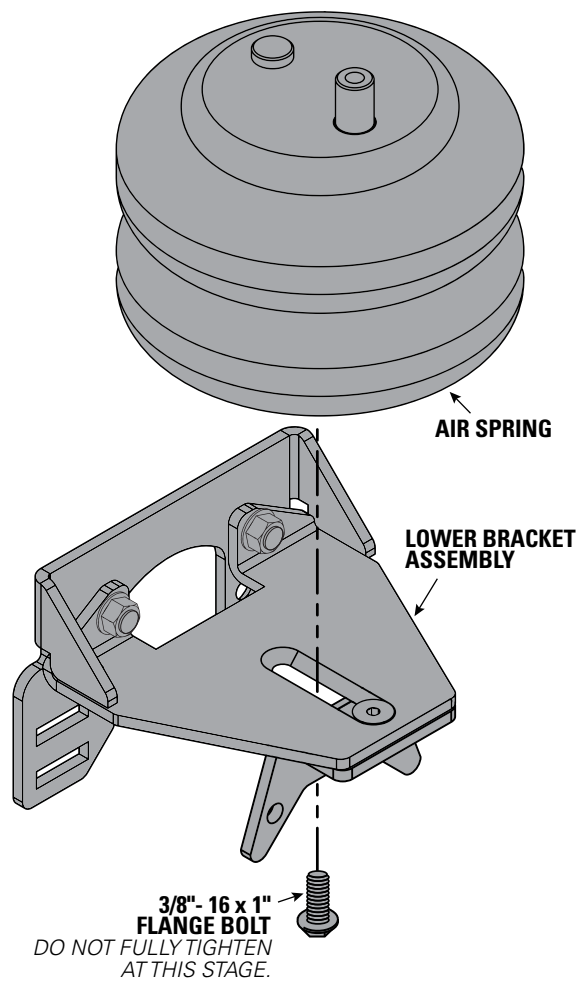


5

DRY FIT AIR SPRING



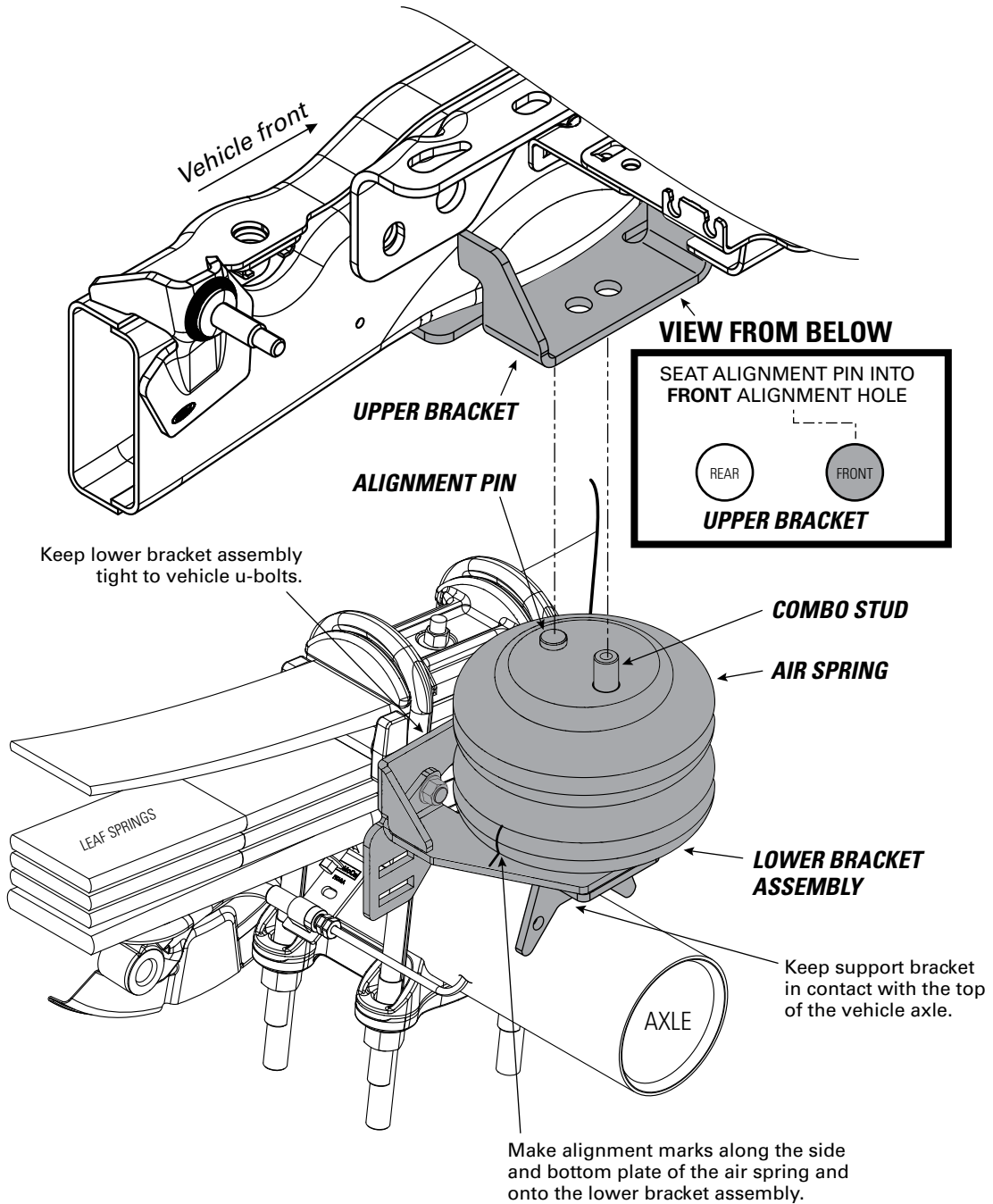
Fasten the air spring to the lower spring bracket.
DO NOT FULLY TIGHTEN AT THIS STAGE.



1 Insert the alignment pin and combo stud into the front alignment holes, as shown.

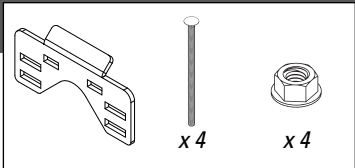
2 Position the lower bracket assembly tight to the u-bolts and top of the vehicle axle. Assure the combo stud and alignment pin are fully seated.

3 Make alignment marks, as shown.



7

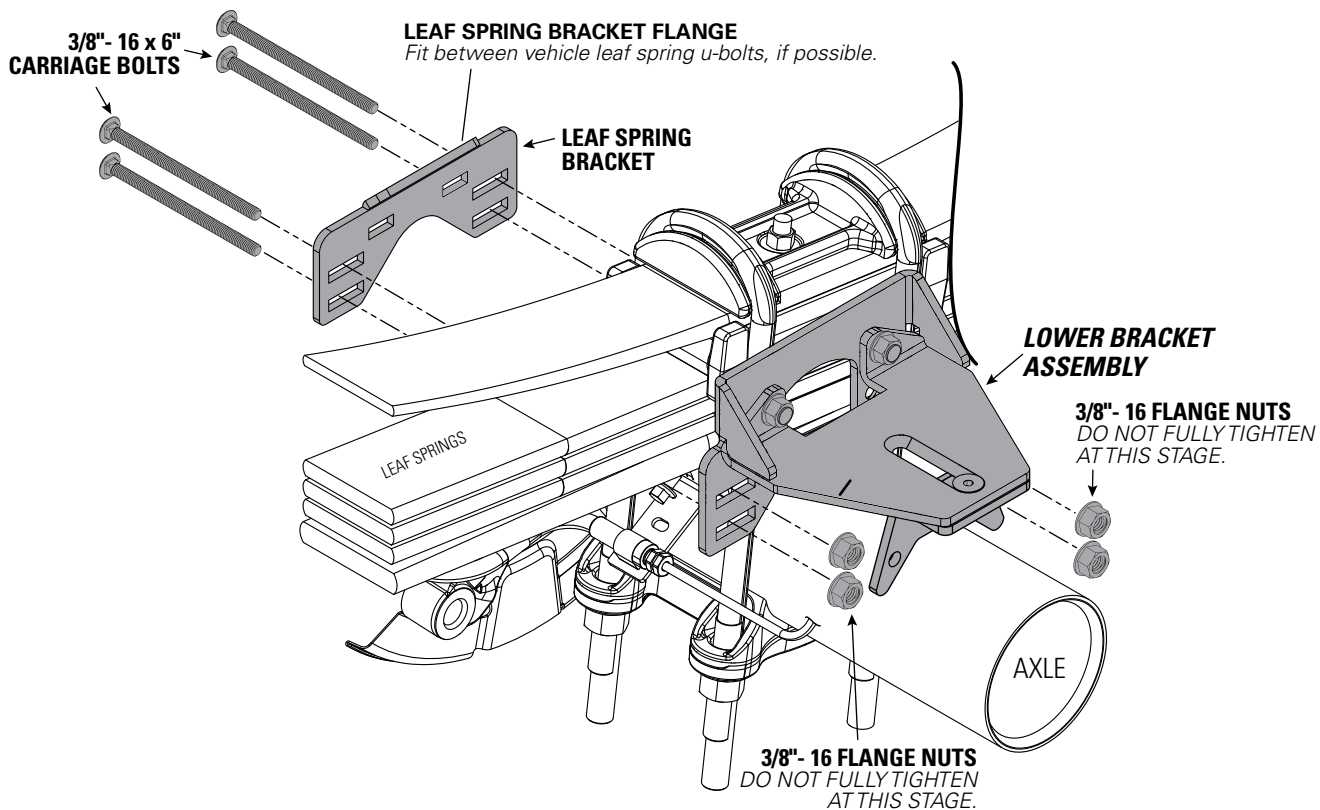
DRY FIT LOWER BRACKET ASSEMBLY

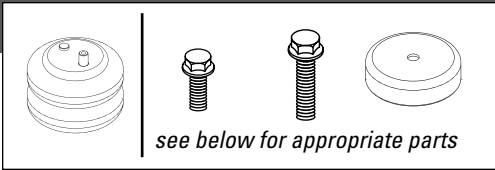


1 Remove air spring and fastener from lower bracket assembly.

2 Install the lower bracket assembly so that it is tight against the vehicle jounce tongue and leaf spring stack and top of the vehicle axle.

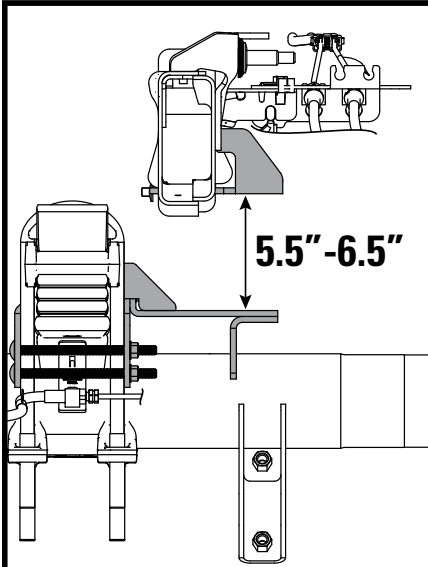
3 Do not fully tighten at this stage. You will remove the assembly after the next step.



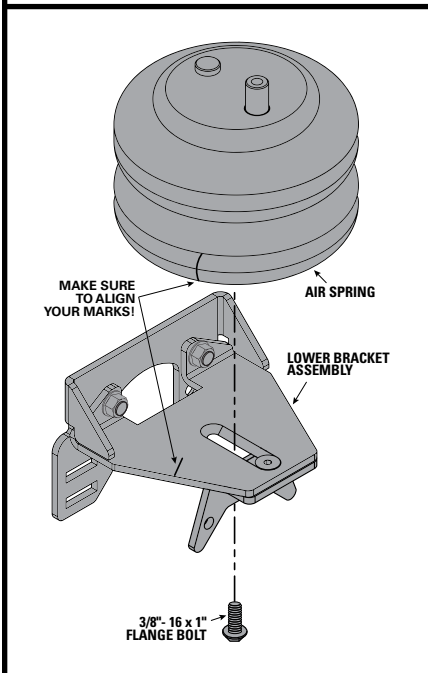


With vehicle unloaded on level ground and supporting its own weight, measure the distance between the bottom of the upper bracket and the top of the lower bracket. Use your measurement to follow the appropriate steps below.

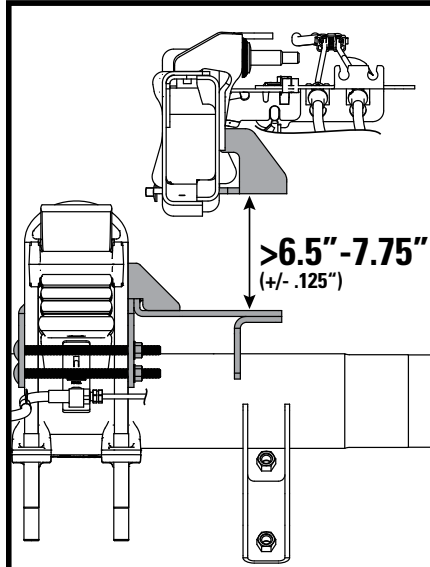
STANDARD INSTALLATION



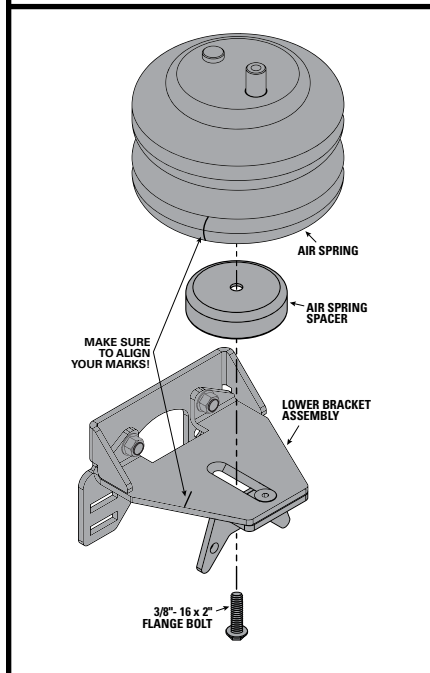
5.5\"/>



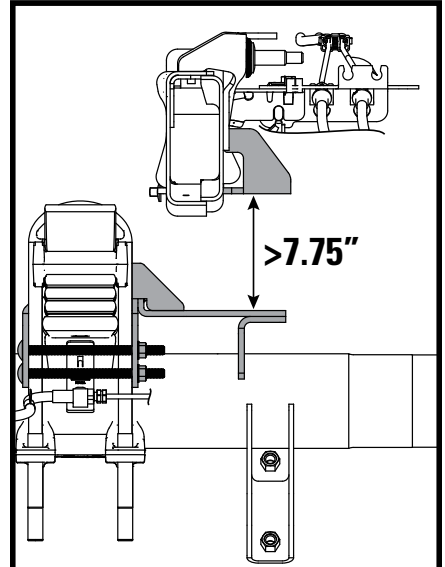
INSTALLATION WITH SPACER



> 6.5\"/>



LARGER SPACER REQUIRED



> 7.75\"/>

See Firestone catalog to order correct spacer to achieve the proper 5.5\"/>



YOUR ALIGNMENT MARKS MUST LINE UP BEFORE FULLY-TIGHTENING THE CAP SCREW.

9

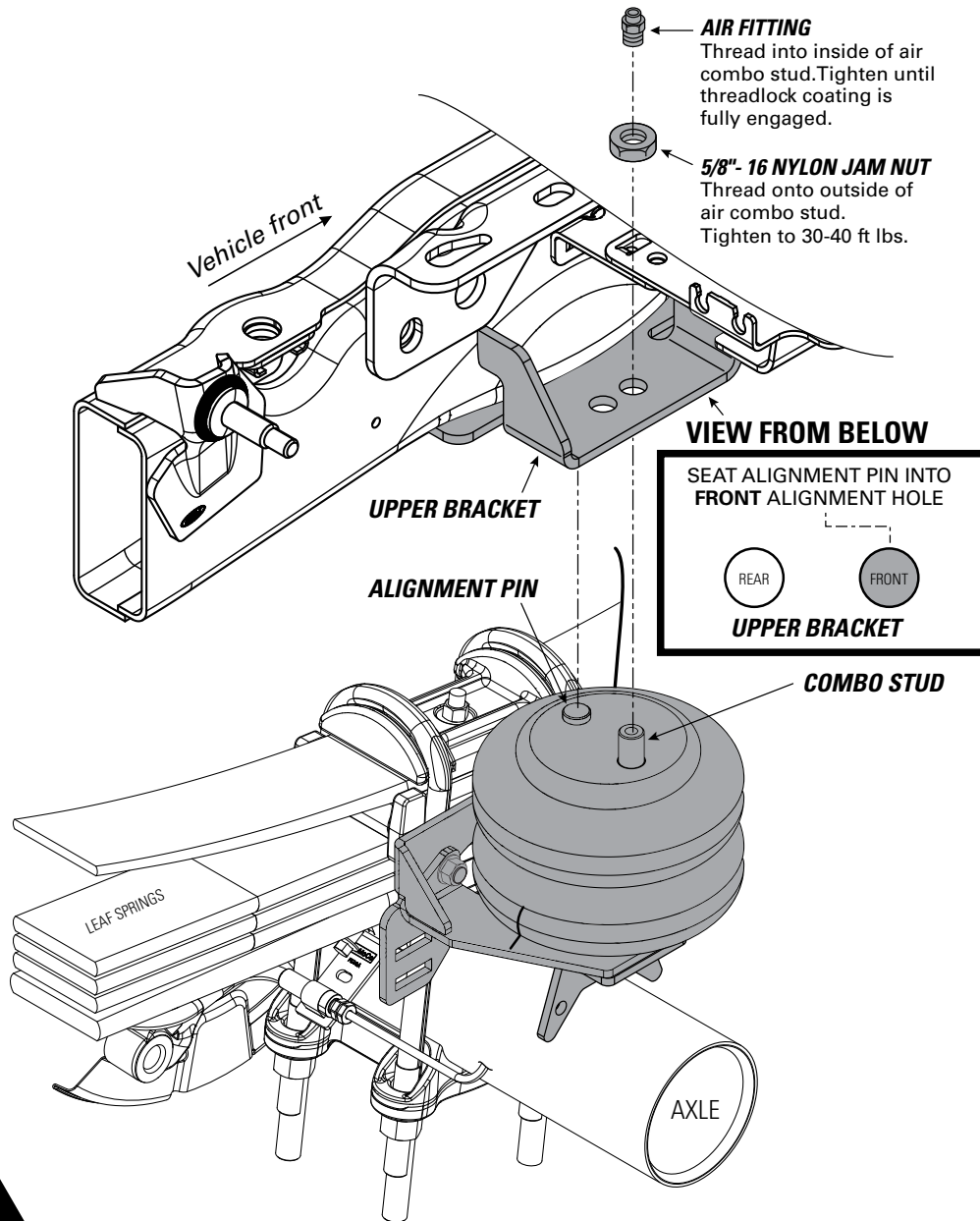
INSTALL AIR SPRING TO UPPER BRACKET



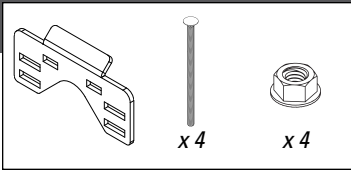
INSTALLING THE RIGHT SIDE? REMEMBER TO INSTALL THE HEAT SHIELD IN STEP 11 FIRST!

1 Install the air spring combo stud into the **front** alignment hole in the upper bracket. Fully-seat the air spring alignment pin into the **front** alignment hole.

2 Fully tighten the top of the air spring to the upper bracket.



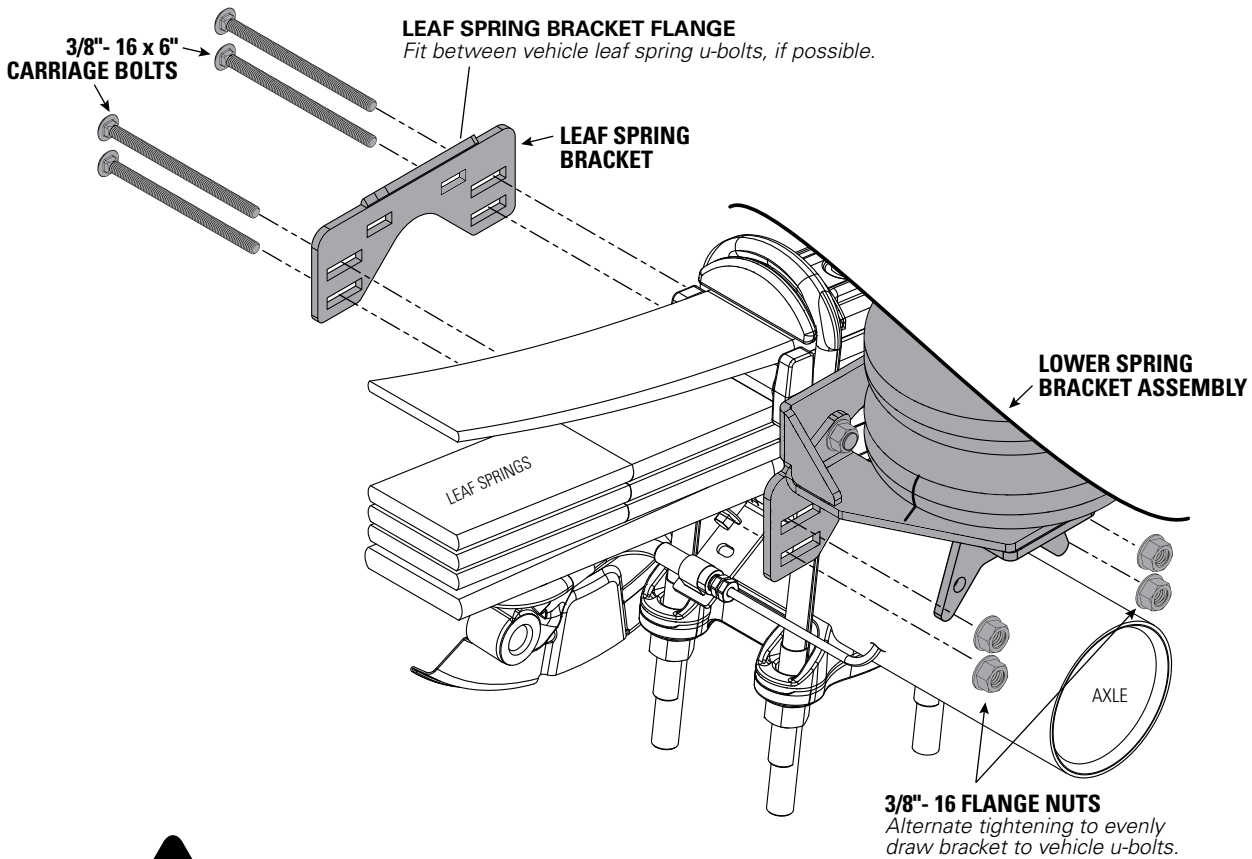
ALIGNMENT PIN ON AIR SPRINGS MUST BE INSTALLED TO FULLY SEAT INTO THE FRONT ALIGNMENT HOLE IN THE UPPER BRACKET. FAILURE TO DO SO WILL CAUSE IT TO BE PUSHED INTO THE BEAD PLATE, CREATING AN AIR LEAK, AND RESULTING IN AN AIR SPRING FAILURE THAT IS **NOT WARRANTABLE**. **THE ALIGNMENT PIN CANNOT HOLD 2,500 LBS! IT IS USED FOR ALIGNMENT ONLY!**



1 Place the lower bracket assembly on top of the jounce bumper tongue and against the inboard side of the vehicle leaf spring stack.

2 Place the leaf spring bracket on the outboard side of the leaf spring stack. If possible, fit the leaf spring bracket flange between the vehicle leaf spring u-bolts.

3 Install the fasteners as shown.



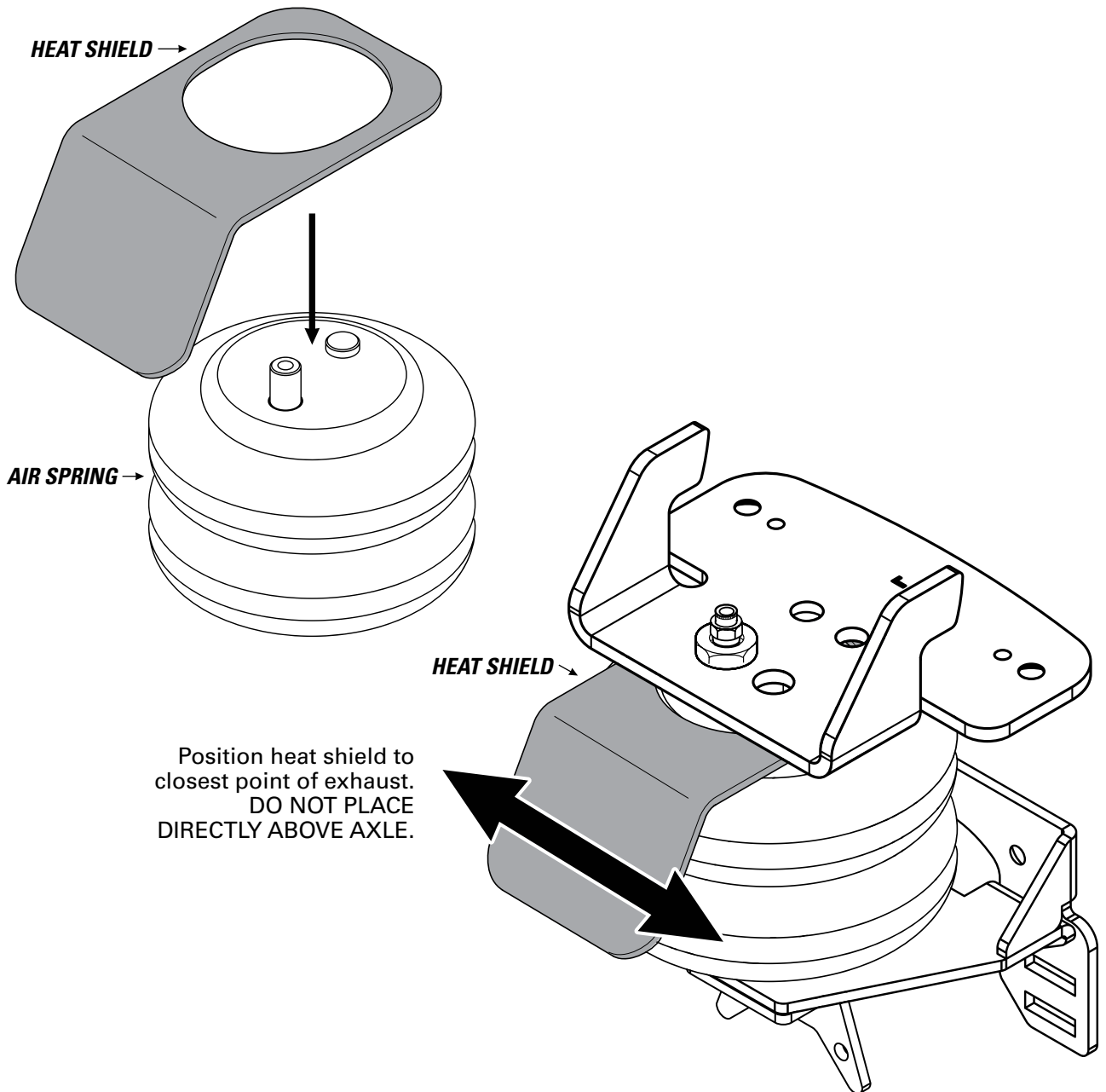
USE YOUR HAND TO CHECK FOR THE PROPER CLEARANCE AROUND THE AIR SPRING. IF YOUR HAND DOES NOT FIT BETWEEN THE AIR SPRING AND OTHER COMPONENTS, IT WILL RUB!

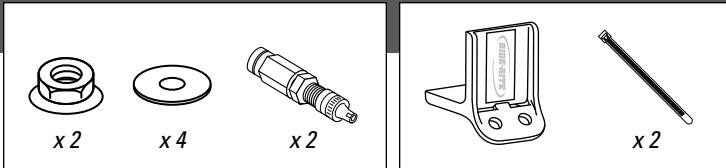


AWESOME! You're done with the left side. The right side is the same, with the addition of the heat shield. See step 8, then complete the steps for the right side installation.



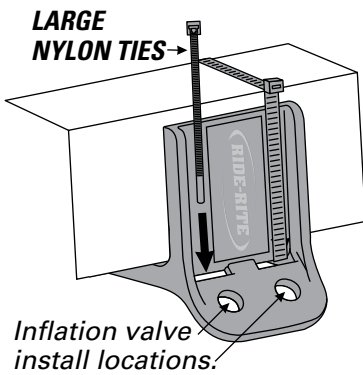
RIGHT SIDE INSTALLATION MUST INCLUDE HEAT SHIELD!





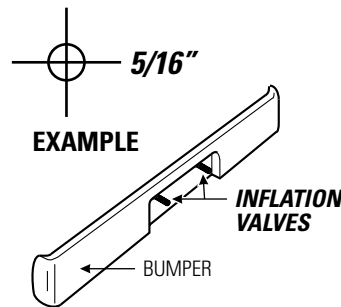
IF USING THE OPTIONAL NO-DRILL INFLATION VALVE BRACKET, CHOOSE OPTION 1. IF DRILLING, CHOOSE OPTION 2. **INFLATION VALVES MUST BE ACCESSIBLE BY AN AIR CHUCK.**

1 Secure the air inflation valve bracket to a protected, secure location.

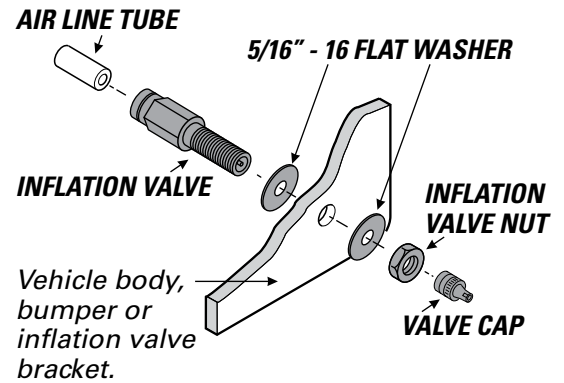


2 Select a protected location to install the inflation valves, such as the bumper or the body of the vehicle.

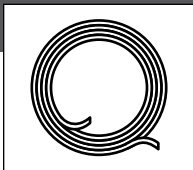
Drill two 5/16" holes for inflation valve install locations.



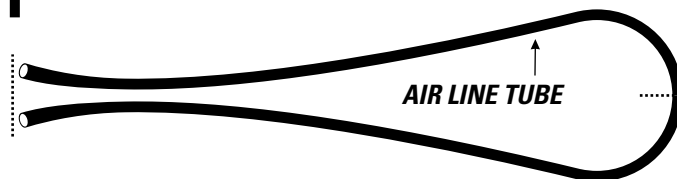
INFLATION VALVE ASSEMBLY



CUT THE AIR LINE TUBE INTO TWO EQUAL LENGTHS



1 Match air line tube ends.



2 Find center of air line tube, make a square cut with tube cutter or sharp utility knife.

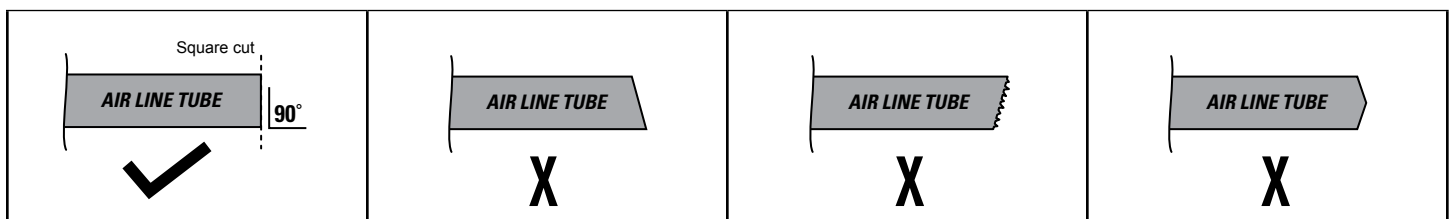
DO

Make sure the cut is as square as possible. Use a tube cutter or sharp utility knife.

DON'T

Fold or kink the air line tube. Cut the air line tube at an angle. Use pliers, scissors, snips, Saws, or side cutters.

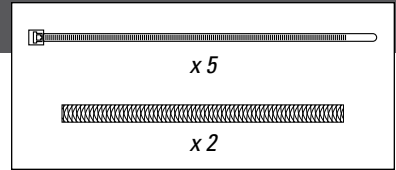
PROPER AND IMPROPER CUTS IN THE AIR LINE TUBE



14

ROUTE AND SECURE AIR LINE TUBES

Air line tube routes will vary, depending on your truck, and requires you to choose the best path from the air springs to the inflation valves. Use the instructions below to help you choose.

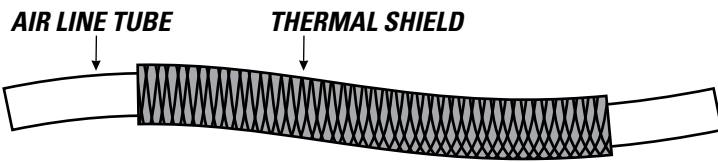


DO

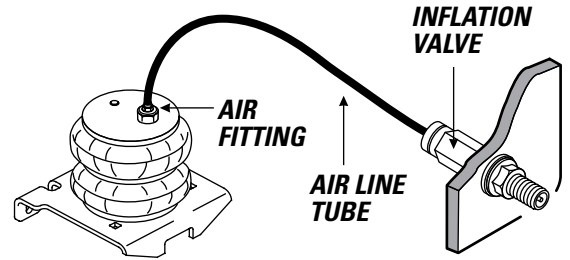
Select routes protected from heat, Debris, and sharp edges. Use thermal shields near heat sources. Use nylon ties to secure the air line tube.

DON'T

Bend or sharply curve air line tubes. Leave air line tube exposed to sharp edges. Use unnecessary lengths of air line tube. Route air line tube near moving parts. Let air line tube hang unsecured from vehicle. Scar air line tube while routing.



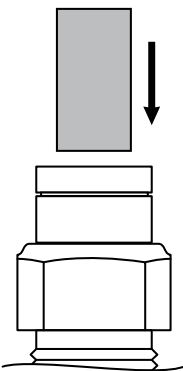
USE SUPPLIED THERMAL SHIELDS WHEN AIR LINE TUBE RUNS **WITHIN 6 INCHES** OF HEAT SOURCES.



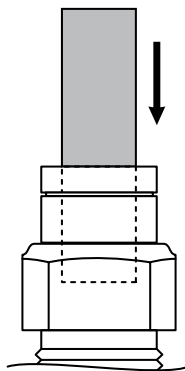
15

INSTALLING AIR LINE TUBE INTO AIR FITTINGS AND INFLATION VALVE

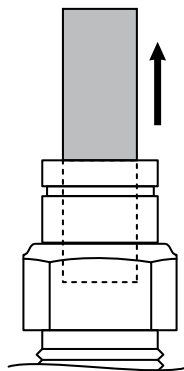
1 Insert end of air line tube into air fitting.



2 Push air line tube into air fitting as far as possible.

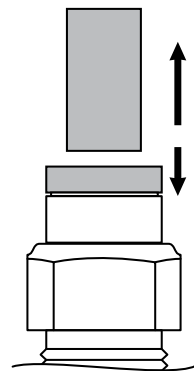


3 Gently pull on the air line tube to check for a secure fit.



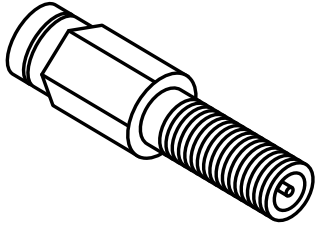
AIR LINE REMOVAL

To remove, push down collar and gently pull air line tube away.



Removal Tip: Use a 1/4", 5/16", or 6mm open-ended wrench to push the collar down.

- 1** Place an air chuck onto the inflation valve and fill the system to **70 PSI**.

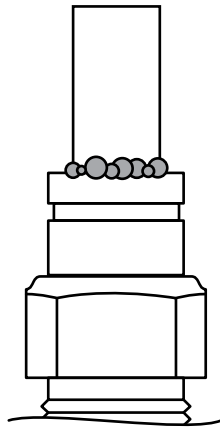


AIR SPRINGS INFLATE QUICKLY. CHECK AIR PRESSURE WHILE INFLATING.

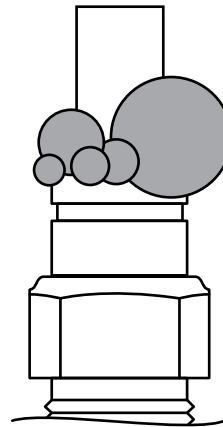
- 2** Spray fittings with soap and water mixture or glass cleaner.



- 3** Observe bubbles.



**SMALL SOAP BUBBLES
THAT DO NOT EXPAND**



**SOAP BUBBLES
THAT EXPAND**



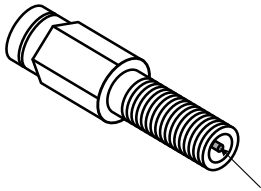
NO LEAKS?

Congratulations! Continue to step 18 to finish installation. Review the Operating Instructions.

LEAK?

Bummer. Continue to step 17 to fix the leak.

- 1 Press the air valve on end of inflation valve to release all air pressure.

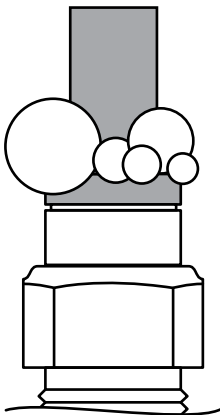


AIR VALVE



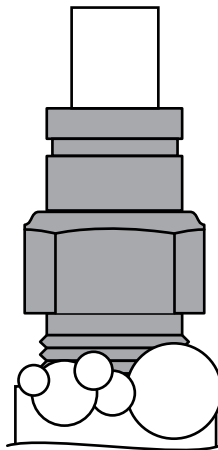
EXHAUST ALL AIR FROM THE SYSTEM PRIOR TO RELEASING AIR LINE TUBES FROM AIR FITTINGS.

LEAK AT AIR LINE TUBE AND AIR FITTING



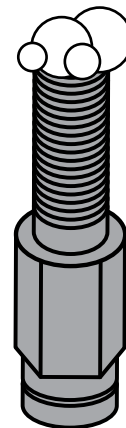
Release air line tube (see page 15). Review proper cuts and procedures in step 13. Repeat steps 15 and 16.

LEAK AT BASE OF AIR FITTING ON AIR SPRING



Tighten air fitting one turn or until leak stops.

LEAK OUT OF THE VALVE CORE ON INFLATION VALVE



Tighten valve core with valve core wrench on inflation valve cap.

STILL HAVE A LEAK?

Refer to the Troubleshooting section of the Instruction Manual.

SAFELY RETURN VEHICLE TO OPERATIVE STATE

If you removed any wheels during installation, install the wheels and torque the lug nuts to the manufacturer's specifications.

Safely remove any jack stands and wheel chocks used during installation.

Re-attach the negative battery cable.

DOUBLE-CHECK AIR SPRING CLEARANCE

Check the air springs once again for the proper 1/2" minimum clearance. Perform clearance check again when vehicle is under load.

VEHICLE GVWR

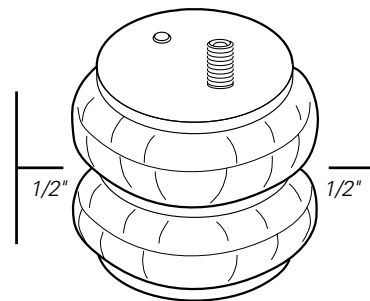
NEVER exceed the maximum load recommended by the vehicle manufacturer (GVWR). The GVWR can be found in your vehicle's owner's manual or on the data plate on the driver's side door. Consult your local dealership for additional GVWR specifications.

READ AND UNDERSTAND THE OPERATING INSTRUCTIONS

The Ride-Rite system can improve handling and comfort. Take the time to learn how to properly use and maintain your investment by reading the Operating Instructions.



USE YOUR HAND TO CHECK FOR THE PROPER CLEARANCE AROUND THE AIR SPRING. IF YOUR HAND DOES NOT FIT BETWEEN THE AIR SPRING AND OTHER COMPONENTS, IT WILL RUB!



! IMPORTANT

A MINIMUM OF 5 PSI MUST BE MAINTAINED IN THE AIR SPRINGS AT ALL TIMES

Too much air pressure in the air springs will result in a firmer ride, while too little air pressure will allow the air springs to bottom out over rough conditions, and will not provide the improvement in handling that is possible.



MINIMUM PRESSURE

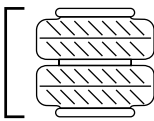
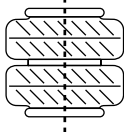


MAXIMUM PRESSURE (LOADED)



riderite.com

BEFORE YOU DRIVE, CONFIRM THE FOLLOWING:

- Do you have a minimum of 5PSI in your air springs?
- Are your air springs standing 5.5" - 6.5" tall? 
- Are your air springs properly aligned, left-to-right and front-to-back? 
- Are your nuts and bolts tight?
- Put your paper work back into the sleeve and keep it in your glove compartment for future reference.
- You've been bagged...and now your suspension is Airide™ equipped! Show it off with the supplied decal!

NEED INSTALLATION HELP?

Email us at rrtech@fsip.com. Please include photos to help us better diagnose and understand any problems you may be experiencing.

Firestone

Firestone Industrial Products

CONNECT WITH US



FirestoneIP



Firestone Ride-Rite