

Installation Instructions

Part Numbers:

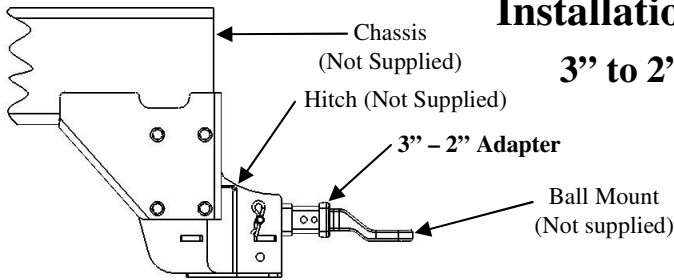
38735N

3" to 2" ADAPTER

**Do Not Exceed Lower of Towing Vehicle
Manufacturer's Rating or**

12,000 LB (11340 Kg) Max Gross Trailer Weight

1,200 LB (1814.4 Kg.) Max Tongue Weight



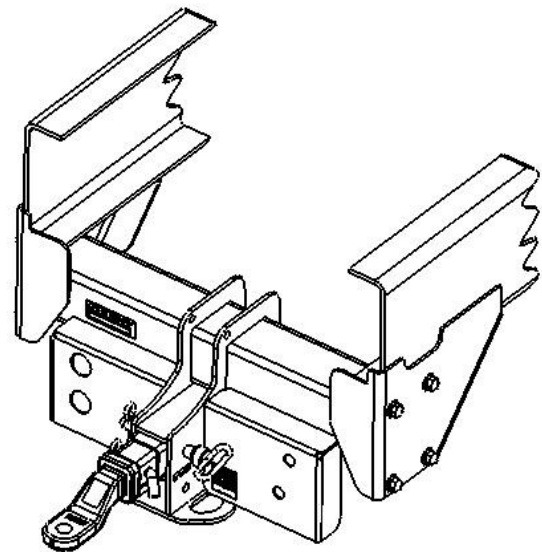
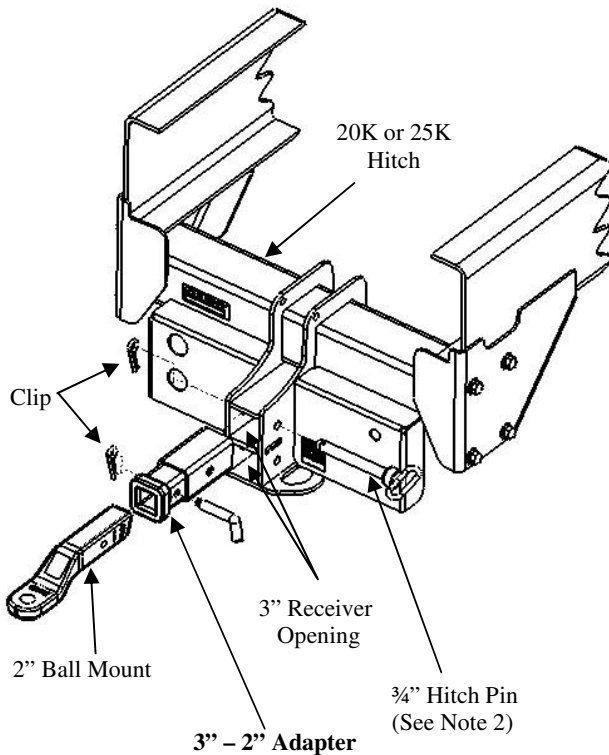
Adapter Shown In Position

Equipment Required:

Fastener Kit: N/A

Wrenches: N/A

Drill Bits: None



3" - 2" Adapter Shown Assembled

INSTALLATION INSTRUCTIONS

1. Insert 3" - 2" Adapter into the 3" receiver opening.
2. Install the 3/4" pin supplied with your 20K or 25K hitch or 25K ball mount and clip.

Note: check hitch frequently, making sure all fasteners and ball are properly tightened. A hitch or ball which has been damaged should be removed and replaced. Observe safety precautions when working beneath a vehicle and wear eye protection. Do not cut access or attachment holes with a torch.

This product complies with safety specifications and requirements for connecting devices and towing systems of the state of New York, V.E.S.C. Regulation V-5 and SAE J684.