

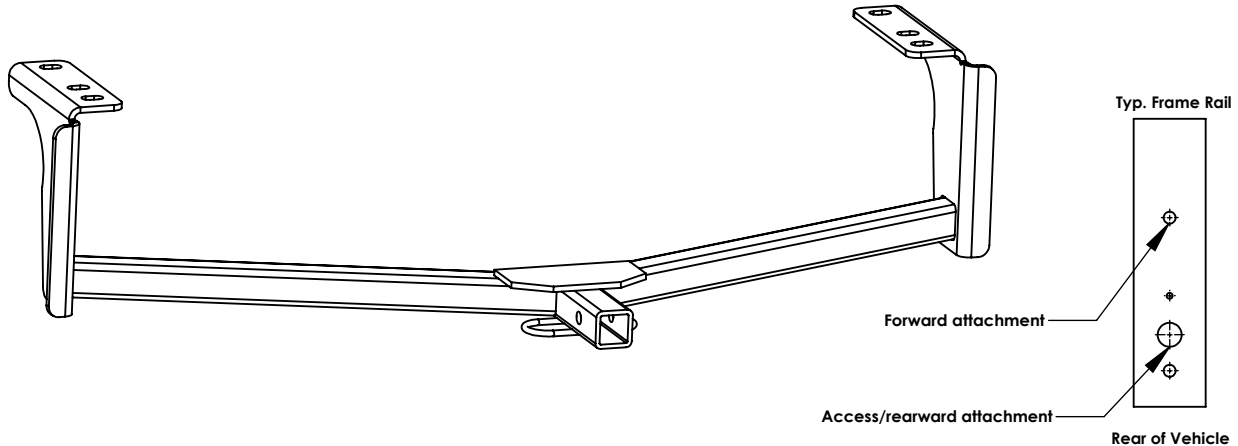
**CLASS 1 TRAILER HITCH
RT-476
Ford Fusion / Lincoln MKZ**

**TOOLS REQUIRED:
DRILLS: NONE
WRENCHES: 7mm, 10mm, 11/16"**

2,000 LB GROSS TRAILER WEIGHT, 200 LB TONGUE WEIGHT. WARNING: CONSULT VEHICLE OWNERS MANUAL FOR TOWING RECOMMENDATIONS AND LIMITATIONS. THIS PRODUCT IS DESIGNED FOR TRAILER TOWING ONLY AND SHOULD NOT BE USED FOR ANY OTHER PURPOSE.

WARNING: USE ONLY RIGID HITCH APPROVED AND MANUFACTURED DRAW BAR INSERT OR WARRANTY WILL BE VOID

NOTE: INSTALL PARTS LOOSELY UNTIL ALL ATTACHMENTS HAVE BEEN MADE TO VEHICLE



1. Remove the appearance panel, return panel and hardware to owner.
2. Using the fish wires provided insert the forward carriage bolts and block plates into the frame rails. Feed the fish wire up through the forward attachment hole and down through the rearward access slot. Thread the carriage bolt and block onto the fish wire and insert the block plate and bolt into the frame rail and pull into position. Leave the fish wires attached.
3. Insert the rearward carriage bolts and block plates using the remaining two fish wires. The rearward attachment point is the access slot. Leave the fish wires attached.
4. Raise the hitch into position feeding the fish wires through the forward and rearward slots in the hitch side plates. The center slot will provide clearance for the appearance panel studs welded to the frame rails.
5. Remove the fish wires and secure the hitch using the conical washers and hex nuts provided.
6. Center hitch on the vehicle and tighten all fasteners to the appropriate torque specifications shown below.

Thank You for Purchasing a Rigid Hitch

TIGHTEN ALL FASTENERS TO THE TORQUE SPECIFICATIONS SHOWN BELOW

HARDWARE PACKAGE:

(4) 7/16-14 x 1-1/2" Carriage Bolts
(4) 1/4 x 7/8 x 3" Block Plates
(4) 7/16-14 Hex Nuts

(4) 7/16" Conical washers
(4) 7/16" Fish Wires
(1) UB-6001 Drawbar Kit

GIVE THIS INSTRUCTION SHEET TO VEHICLE OWNER

| BOLT TIGHTENING TORQUE (LB-FT) | | | |
|--------------------------------|-----------|-----------|----------|
| BOLT SIZE | TORQUE | BOLT SIZE | TORQUE |
| 3/8" | 25 LB FT | 8MM | 20 LB FT |
| 7/16" | 50 LB FT | 10MM | 38 LB FT |
| 1/2" | 60 LB FT | 12MM | 68 LB FT |
| 3/4" | 120 LB FT | | |

THIS PRODUCT COMPLIES WITH SAFETY SPECIFICATIONS AND REQUIREMENTS FOR SAE AND VESC REGULATION V-5 FOR CONNECTING DEVICES AND TOWING SYSTEMS. DO NOT MODIFY THIS PRODUCT. INSTALL ONLY ON SPECIFIED VEHICLES IN GOOD CONDITION.

RIGID[®]
HITCH INCORPORATED
3301 WEST BURNSVILLE PARKWAY
BURNSVILLE, MN 55337

REV.
8/13