

Installation Instructions

SL620ALP & SL630A LED Beacons

OPERATION

RED: To +VDC

BLACK: To Chassis Ground (-)

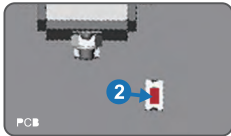
FLASH PATTERN SELECTION

1. Open

Push detent button on base and twist the dome lens counter clockwise ① then lift the dome lens to open.

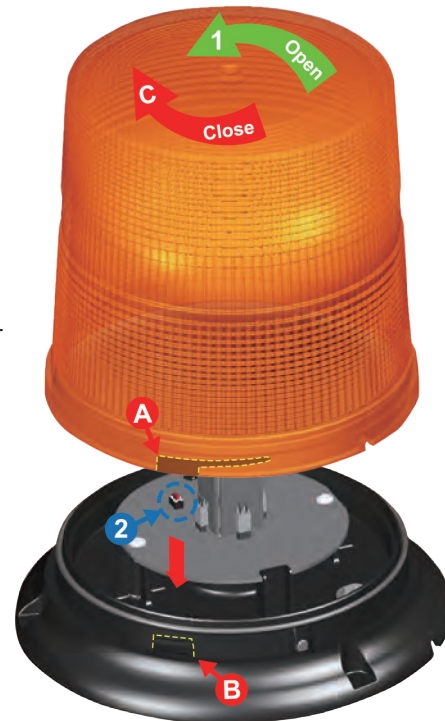
2. Change

Momentarily push the red button to change to the next flash pattern. (see Flash Patterns Chart)



3. Close

Align dome indent **A** with base **B**, then twist clockwise **C** to close.



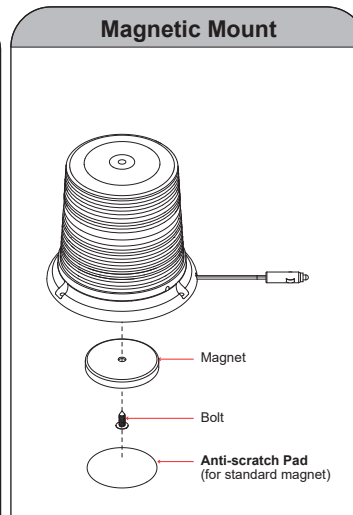
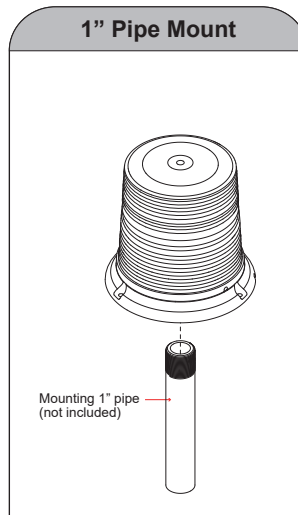
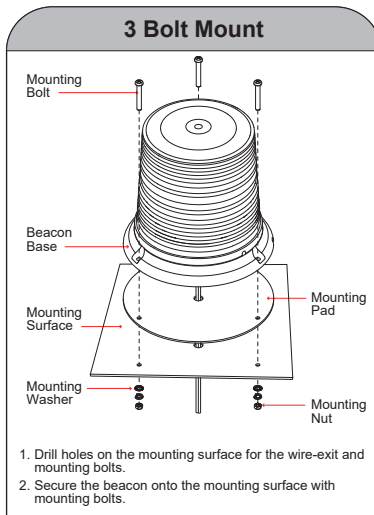
FLASH PATTERNS

1	8 Flash	4	Triple
2	Single	5	Quad
3	Double		

NOTE: This unit may not be factory-set at FP#1

WARNING:

It is not recommended to use magnetically mounted warning devices on outside of vehicle in motion. Usage is at the sole risk and responsibility of the user.



NOTE: All diagrams may not show in scale.

WARRANTY

Buyers Products Co. warrants all truck/trailer hardware manufactured or distributed by it, to be free from defects in material and workmanship for a period of five years from date of shipment. Parts must be properly installed and used under normal conditions. Any product which has been altered, including modification, misuse, accident or lack of maintenance will not be considered under warranty. Normal wear is excluded. The sole responsibility of Buyers Products Co. under this warranty is limited to repairing or replacing any part or parts which are returned, prepaid, and are found to be defective by Buyers Products Co. Authorization from Buyers Products Co. must be obtained before returning any part. No charges for transportation or labor performed on Buyers' products will be allowed under this warranty.