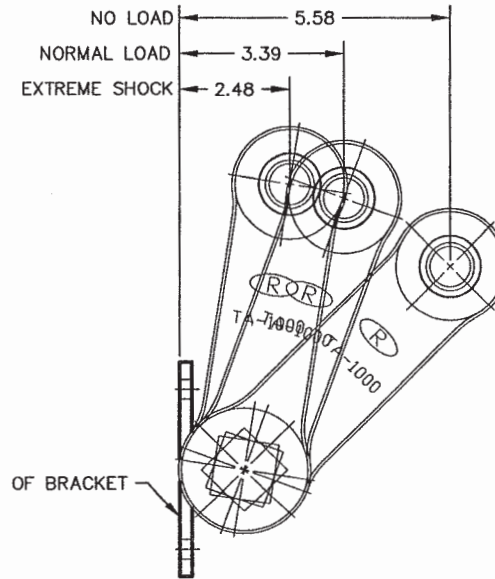
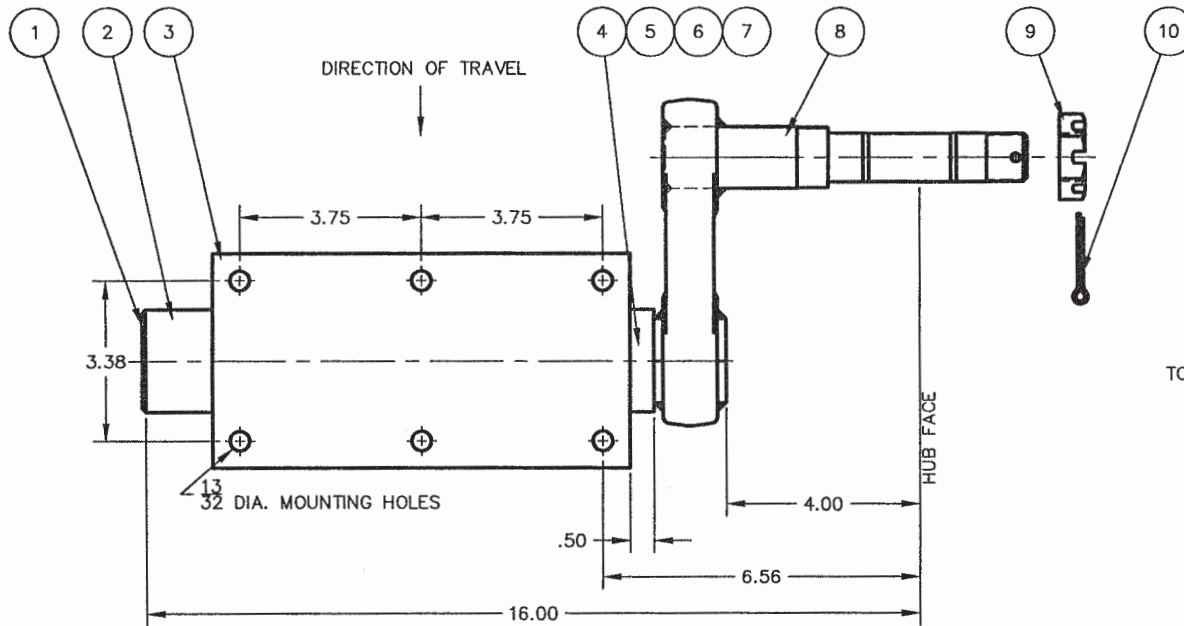


BILL OF MATERIALS

DET. #	PART #	REQ'D	DESCRIPTION
1	PLUG-2.0x2.0	1	1/4 GA. TUBING PLUG
2	T09-10.50	1	SERIES #9 TORSION TUBING
3	AB-090-04	1	RUBBER TORSION AXLE BRACKET
4	RC09-08.50	4	.695 DIA. RUBBER CORD
5	INB-090	1	INTERNAL NYLON BUSHING
6	PBP4	1	PAINT BLACK PRIMER FOR AXLES
7	RTS	1	RUBBER TORSION STICKER
8	A-1000-10-45	1	INNERMETAL ASSEMBLY
9	SN-1000	1	1"-14 SPINDLE NUT
10	SCP-103	1	5/32 COTTER PIN
11	AT-100	1	AXLE SERIAL TAG



45° BELOW
STARTING ANGLE

CAPACITY - 500 LBS. PER STUB
LH SHOWN - RH OPPOSITE

REVISIONS			TOLERANCES UNLESS NOTED		MAT'L	ITEM	SPECIFICATION
REV. #	CHG #	DATE INTL.	DECIMAL	FRACTIONAL			
1			±.25		±3'		
2							
3							
4							
5							

LOCATION	DIST. CODE		TOOL & MACHINE, CO. KENDALLVILLE, INDIANA 46755
DATE	P. CODE		
DRAWN BY	SCALE	SERIES #9 TORSION STUB	
APPROVED BY	STATUS CODE	DRAWING #	RTS-0500-15-LH/-16-RH

THIS DRAWING MAY NOT BE REPRODUCED IN PART OR IN FULL WITHOUT WRITTEN PERMISSION FROM RELIABLE TOOL & MACHINE